

BL driveLINE ENC Series

Indoor & Outdoor Rated PVC Enclosures
XSmall, Small, Medium, Large



ENC Series electrical enclosure boxes are suitable for almost every application. Available in a range of standard sizes, our premium quality PVC junction boxes are suitable for any BL LED Driver component requiring an additional external housing. The easy to install design saves time and money, with an integral gasket, non-metallic fasteners, molded mounting feet, embossed grid-lines and flat cover features, engineered to provide a contractor-friendly junction box.

Integral gasket **Easy installation**

CLIENT	
PROJECT NAME	
LOCATION	
DATE	

Product Detail



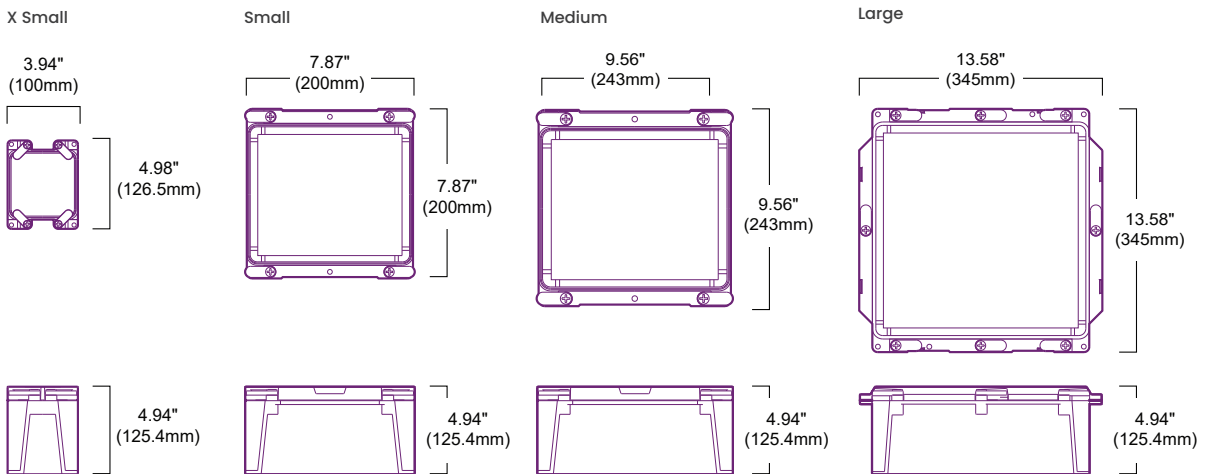
Mechanical	Housing Construction	PVC
	Weight	X Small 356g (0.785lb)
		Small 922g (2lb)
		Medium 1.5kg (3.3lb)
Large 3.3kg (7.3lb)		
Environmental	Mounting	Integrated Bracket
	Fastener Tool	#2 Phillips
	Ingress Protection	NEMA 1, 2, 3R, 4, 4X, 6, 6P, 12, 13
	Certifications	cULus



Ordering

Product Code	Size
BL driveLINE ENC	
	XS = X Small
	SM = Small
	MD = Medium
	LG = Large

Dimensions



BL LIGHTING ILLUMINATE EVERYTHING

111 - 8838 Heather St. Vancouver, BC, Canada. V6P 3S8
P: 1-604-874-4405 E: info@bllighting.com
Copyright © BL INNOVATIVE LIGHTING. All Rights Reserved.

Solid State Lighting is sensitive to power fluctuations. Surge protection is highly recommended for all LED lighting products and should be on a dedicated circuit to protect against premature failure. Lack of surge protection may void your warranty.

Designed & Assembled in North America.

Specifications subject to change without notice. Please refer to our website at bllighting.com for current technical data.

For more information, please download the BL LIGHTING catalog

bllighting.com

