

The BLE node C8 is based on Bluetooth technology and creates a wireless intelligent mesh network. Featuring 8 channels of DMX control, one BLE node C8 can control multiple luminaires. This reduces wiring requirements, and accelerates installation and commissioning of lighting systems using luminaires that are DMX enabled with integrated decoders. A complementary mobile app presents an intuitive and interactive user experience, allowing for full network control when within range of any one node!

Intelligent Mesh Bluetooth Network

Smart Device App

CLIENT	
PROJECT NAME	
LOCATION	
DATE	

## Product Detail

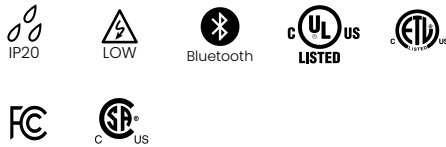


Input Voltage	12-24VDC
Max Input current	4A
No-load standby power	0.72 W
Output voltage	12-24VDC
Max. output power	100mA
Max. output current	4A
Control method	DMX
Operating frequencies	2.4-2.483 Ghz
Max. signal output power	typ. +0dBm, +/-3dBm
Connection Type	Screw Terminals
Wire range, solid & Stranded	0.5-1.5mm2 14-22AWG
Tightening force	0.4Nm / 2.6Lb-in
Max. Signal Range	50m (164ft) - Outdoors 25m (82ft) - Indoors
Housing Construction	Plastic, White
Weight	0.8oz (23g)
Environmental	IP20
Certifications	UL, FCC, ETL,SA
Operating Temperature	-13°F to 113°F (-25°C to 45°C)

### Electrical

### Mechanical

### Environmental



## Features

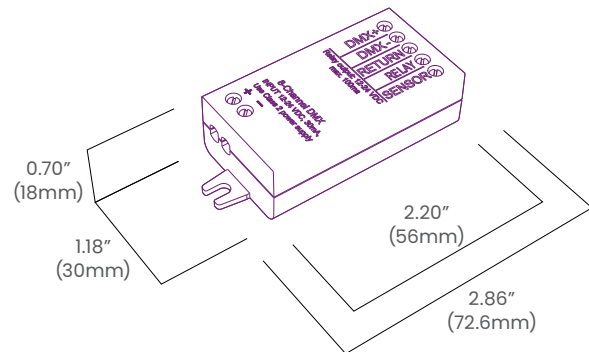
- Up to 127 units form an intelligent mesh network.
- Multiple networks can be set up on a site.
- HSV dimming ensures excellent color consistency
- Smart devices App (Casambi App):  
iPhone 4S or later, iPad 3 or later, iPod Touch 5th gen or later.  
Android 4.4 or later devices produced after 2013 with full BT 4.0 support

## Ordering

Product Code

BL-controls-BLE-node-C8

## Dimensions



## BL LIGHTING ILLUMINATE EVERYTHING

111 - 8838 Heather St. Vancouver, BC, Canada. V6P 3S8  
P: 1-804-874-4405 E: info@bllighting.com  
Copyright © BL INNOVATIVE LIGHTING. All Rights Reserved.

Solid State Lighting is sensitive to power fluctuations. Surge protection is highly recommended for all LED lighting products and should be on a dedicated circuit to protect against premature failure. Lack of surge protection may void your warranty.

Designed & Assembled in North America.

Specifications subject to change without notice. Please refer to our website at bllighting.com for current technical data.

For more information, please download the BL LIGHTING catalog

bllighting.com

