

BL controls BLE 010V 2CH

Bluetooth 0-10V controller
2 Channels



Based on Bluetooth technology, BL controls BLE 010V 2CH is a two channel, 0-10V controller for use with compatible 010V LED Drivers and dimmable LEDs. Featuring a control port for an external relay and sensor input, and powered by an external 12-24VDC Class 2 power supply. With two individually configurable channels, BLE 010V 2CH is an ideal controller for Tunable White applications. A complementary mobile app presents an intuitive and interactive user experience.

CLIENT	
PROJECT NAME	
LOCATION	
DATE	

Intelligent Mesh Bluetooth Network Smart Device App

Product Detail



Electrical	Input Voltage	12-24VDC
	No-load standby power	0.75W
	Output voltage	0-10 VDC, adjustable
	Max. output current	5mA per channel
	Dimming method	0-10V
	Operating frequencies	2.4-2.483 Ghz
	Max. signal output power	3 dBm
	Connection Type	Screw Terminals
	Wire range, solid & Stranded	0.5-1.5mm2 14-22AWG
	Tightening force	0.4 Nm / 2.6Lb-in
Mechanical	Max. Signal Range	50m (164ft) - Outdoors 25m (82ft) - Indoors
	Housing Construction	Plastic, White
Environmental	Weight	0.8oz (23g)
	Environmental	IP20
	Certifications	UL
	Operating Temperature	-13°F to 113°F (-25°C to 45°C)

Features

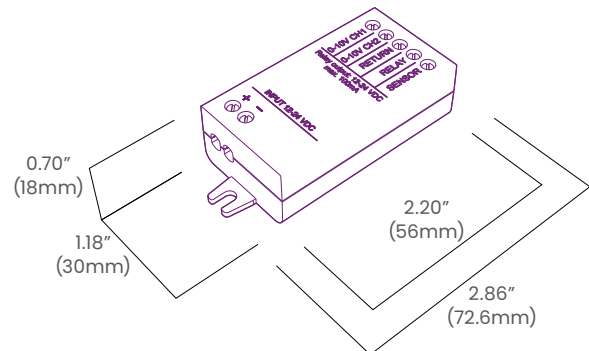
- Up to 250 units form an intelligent mesh network.
- Multiple networks can be set up on a site.
- Control up to 50 drivers with one device.
- Smart devices App (Casambi App):
iPhone 4S or later, iPad 3 or later, iPod Touch 5th gen or later.
Android 4.4 or later devices produced after 2013 with full BT 4.0 support

Ordering

Product Code

BL-controls-BLE-010V-2CH

Dimensions



BL LIGHTING ILLUMINATE EVERYTHING

111 - 8838 Heather St. Vancouver, BC, Canada. V6P 3S8
P: 1-804-874-4405 E: info@bllighting.com
Copyright © BL INNOVATIVE LIGHTING. All Rights Reserved.

Solid State Lighting is sensitive to power fluctuations. Surge protection is highly recommended for all LED lighting products and should be on a dedicated circuit to protect against premature failure. Lack of surge protection may void your warranty.

Designed & Assembled in North America.

Specifications subject to change without notice. Please refer to our website at bllighting.com for current technical data.

For more information, please download the BL LIGHTING catalog

bllighting.com

