

# BL controls AKD Node U4 PoE

Artnet to DMX node, 4 Universes,  
Power over Ethernet



BL controls Artnet to DMX node U4 PoE is a 4 Universe passive network device used to convert Artnet data from an Ethernet network to DMX512, simplifying cable runs and reducing the need for excess DMX distribution hardware. Supports individually configurable DMX512 In/Out on each channel along with Art-Net and sACN protocols. Deliver DMX pixel mapping programs to your luminaires to create dynamic lighting effects and take charge of your color changing and pixel control!

Up to 4 universes

CLIENT	
PROJECT NAME	
LOCATION	
DATE	

## Product Details



<b>Power Input</b>	802.3af Power over Ethernet. Maximum power budget 8W
<b>Weight</b>	0.49kg
<b>Connections</b>	1 RJ45 and 4 x 3 pin XLR
<b>IP Rating</b>	IP20
<b>Certificates</b>	CE, FCC



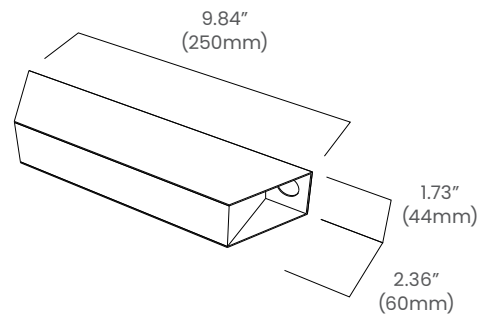
## Features & Benefits

- Internal DMX512-A line biasing termination as per ANSI E1.20 RDM requirements
- Ethernet 10/100Mbps Auto MDI-X port
- Art-Net, Art-Net II, Art-Net 3, Art-Net 4 and sACN/E1.31 support
- ANSI E1.20 RDM compliant with RDM over Art-Net
- Universe Sync Art-Net, sACN and Madrix Post Sync
- Both HTP and LTP merging of 2 Art-Net/sACN streams per port
- sACN Priority
- Internal merging capability with DMX In and DMX Out ports on same Universe
- IPv4 Addressing
- IGMPv2 for multicast network management
- DMX512 Frame Rate: Adjustable per port
- DMX512 Port Protection: DMX512-A Protected as per E1.11-2008

## Ordering

Product Code	Universes	Power	IP Rating
BL controls AKD node	4U	POE	IP20

## Dimensions



### BL LIGHTING ILLUMINATE EVERYTHING

111 - 8838 Heather St. Vancouver, BC, Canada. V6P 3S8  
P: 1-804-874-4405 E: info@bllighting.com  
Copyright © BL INNOVATIVE LIGHTING. All Rights Reserved.

Solid State Lighting is sensitive to power fluctuations. Surge protection is highly recommended for all LED lighting products and should be on a dedicated circuit to protect against premature failure. Lack of surge protection may void your warranty.

Designed & Assembled in North America.

Specifications subject to change without notice. Please refer to our website at [bllighting.com](http://bllighting.com) for current technical data.

For more information, please download the BL LIGHTING catalog

[bllighting.com](http://bllighting.com)

