

BL areaLINEAR

Linear, DMX controlled LED Wall Washers
65W, Line Voltage

LN8286

Printed



Please note that these instructions are guidelines only and in no way supersede any construction or installation standards.

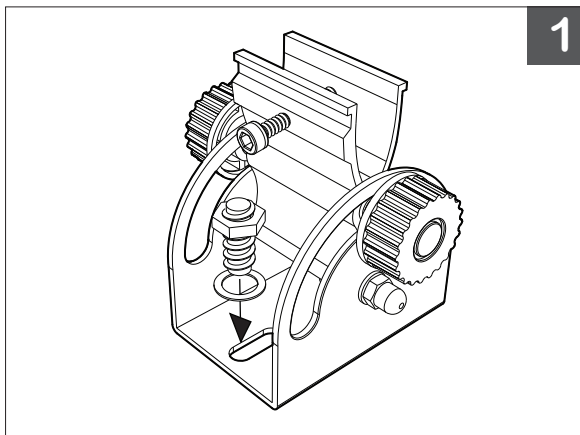
ATTENTION

- There is potential danger of electrical shock when operating electrical components.
- Make sure power is turned off before installation.
- Allow for heat dissipation and adequate ventilation.

Local building and electrical codes should be consulted before installation.

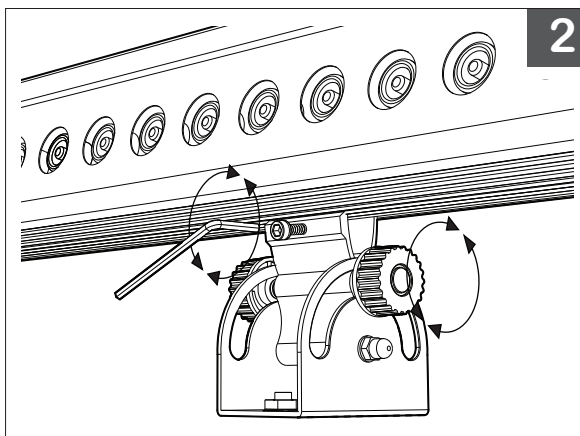
SURFACE MOUNT

Mountable base with 180° Adjustable Bracket



1.

- A. Position **LN8286** mounting bracket at desired location of install.
- B. Fasten mounting bracket with bolts through mounting holes. (Bolts are not provided)



2.

- A. Snap in **LN8286** luminaire into mounting bracket and tighten with provided Hex Key.
- B. Loosen grip dial on adjustable bracket, and swivel luminaire head as required.
- C. Tighten dial to secure angle

PROJECT

CLIENT

TYPE

Solid State Lighting is sensitive to power fluctuations
Surge protection is highly recommended for all LED lighting products and should be on a designated circuit to protect against premature failure
Lack of surge protection may void your warranty

For more information, please download the
BL LIGHTING catalogue

BL LIGHTING. ILLUMINATE EVERYTHING

111 - 8838 Heather St. Vancouver, BC, Canada. V6P 3S8
P: 1-604-874-4405 E: info@blighting.com
Copyright © BL INNOVATIVE LIGHTING. All Rights Reserved.

blighting.com



BL areaLINEAR

Linear, DMX controlled LED Wall Washers
65W, Line Voltage

LN8286

Printed



Please note that these instructions are guidelines only and in no way supersede any construction or installation standards.

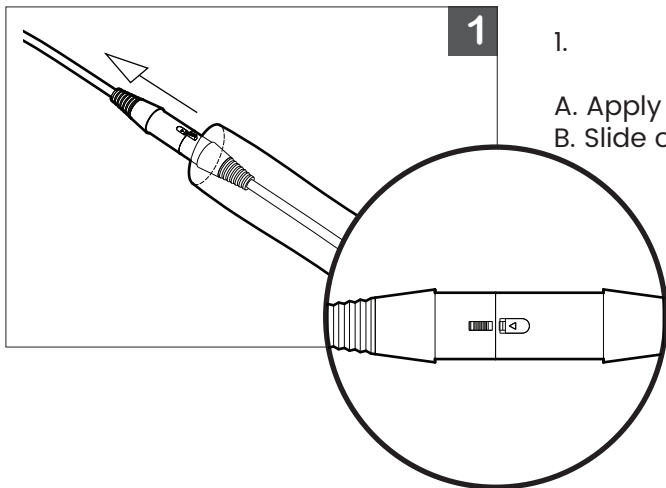
ATTENTION

- There is potential danger of electrical shock when operating electrical components.
- Make sure power is turned off before installation.
- Allow for heat dissipation and adequate ventilation.

Local building and electrical codes should be consulted before installation.

CONNECTIONS

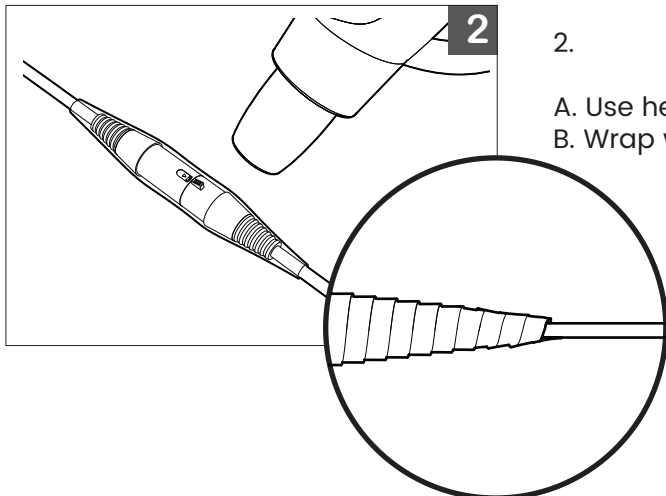
How To Water-Proof Connection Points



1

1.

- A. Apply silicone sealant to connection points.
- B. Slide on heat shrink sleeve.



2

2.

- A. Use heat gun on heat shrink.
- B. Wrap water-proof tape at ends of heat shrink.

PROJECT

CLIENT

TYPE

Solid State Lighting is sensitive to power fluctuations
Surge protection is highly recommended for all LED lighting products and should be on a designated circuit to protect against premature failure
Lack of surge protection may void your warranty

For more information, please download the
BL LIGHTING catalogue

BL LIGHTING. ILLUMINATE EVERYTHING

111 - 8838 Heather St. Vancouver, BC, Canada. V6P 3S8
P: 1-604-874-4405 E: info@blighting.com
Copyright © BL INNOVATIVE LIGHTING. All Rights Reserved.

blighting.com

