



Please note that these instructions are guidelines only and in no way supersede any construction or installation standards.

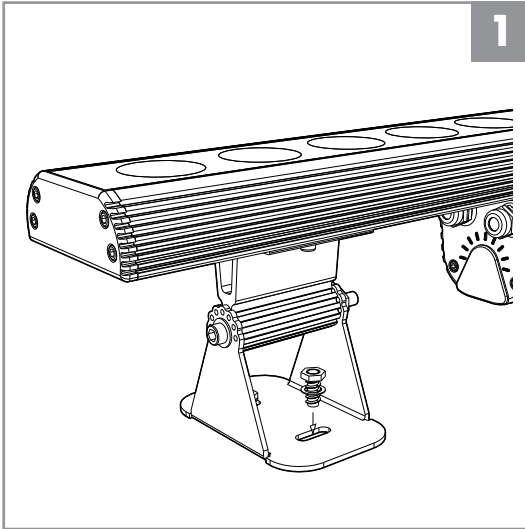
Local building and electrical codes should be consulted before installation.

### ATTENTION

- There is potential danger of electrical shock when operating electrical components.
- Make sure power is turned off before installation.
- Allow for heat dissipation and adequate ventilation.

## SURFACE MOUNT

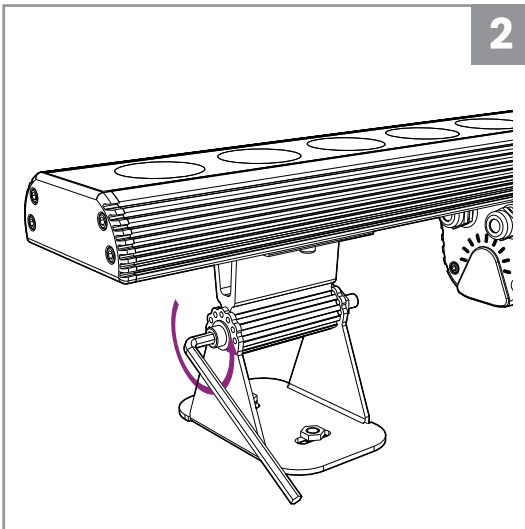
Mountable base with 180° Adjustable Bracket



1

1.

- A. Position LN1211 at desired location of install.
- B. Fasten mounting bracket with bolts through mounting holes.



2

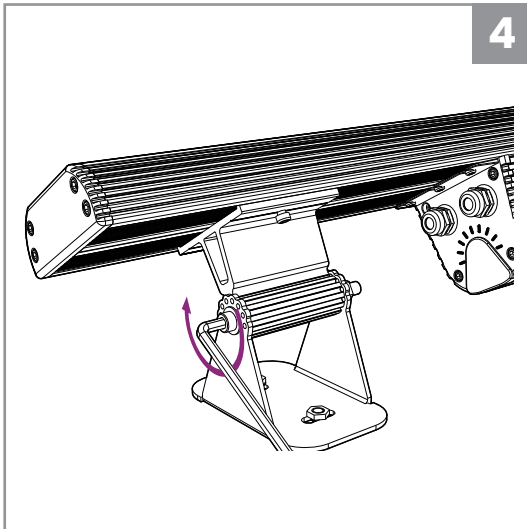
2.

Loosen screws with Hex Key.





3.  
Tilt LN1211 at desired angle.



4.  
Re-Tighten with Hex Key.

