

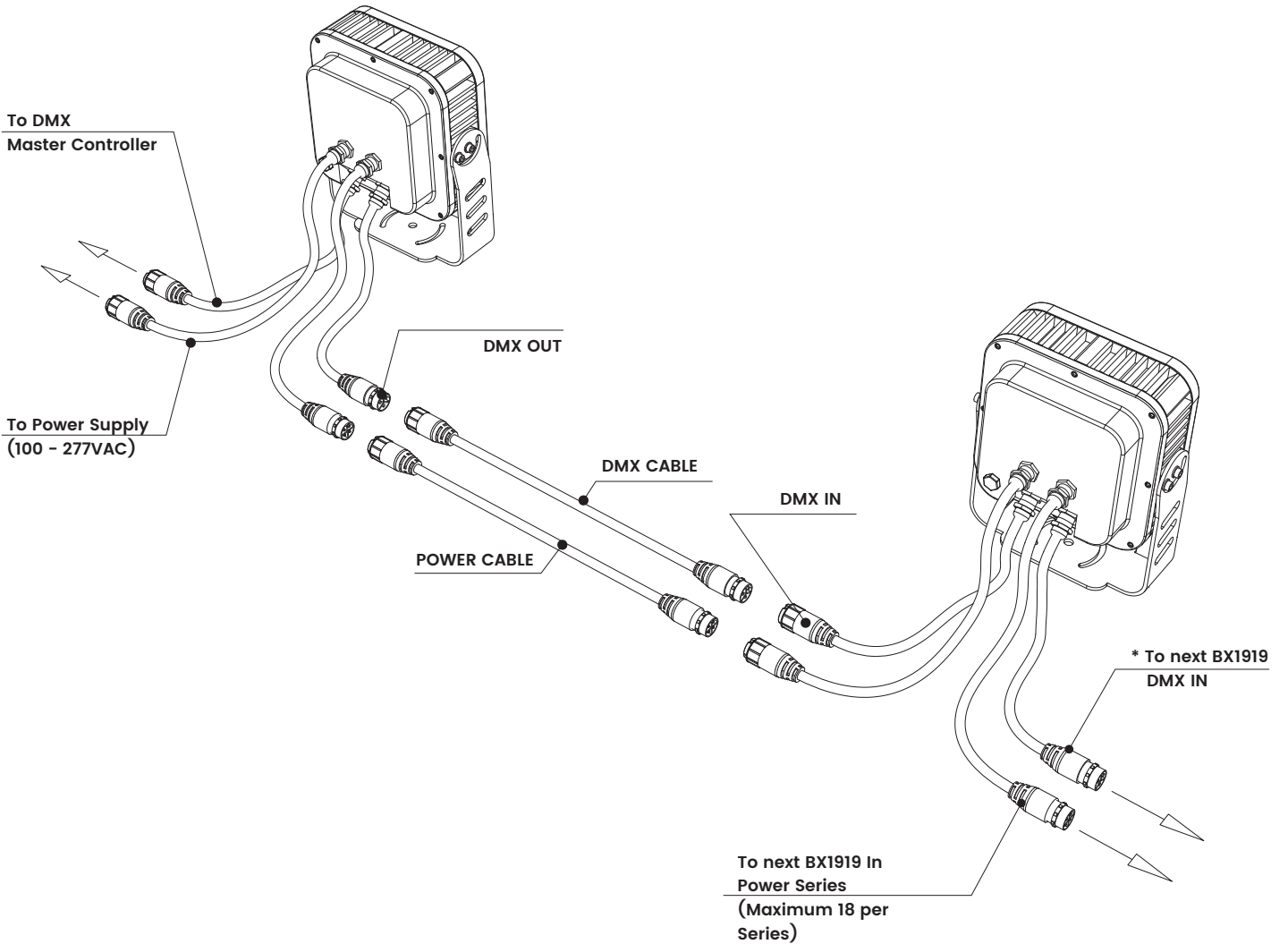
BL areaFLOOD

LED Box Wall Washer
36W, 100V-277VAC

BX1919

Printed

CONNECTIONS
Power and DMX



***All devices in a DMX512 system must be connected in a "daisy chain" fashion. It is not permissible to have branching or splitting runs.**

PROJECT CLIENT TYPE

Solid State Lighting is sensitive to power fluctuations
Surge protection is highly recommended for all LED lighting products and should be on a designated circuit to protect against premature failure
Lack of surge protection may void your warranty

For more information, please download the
BL LIGHTING catalogue



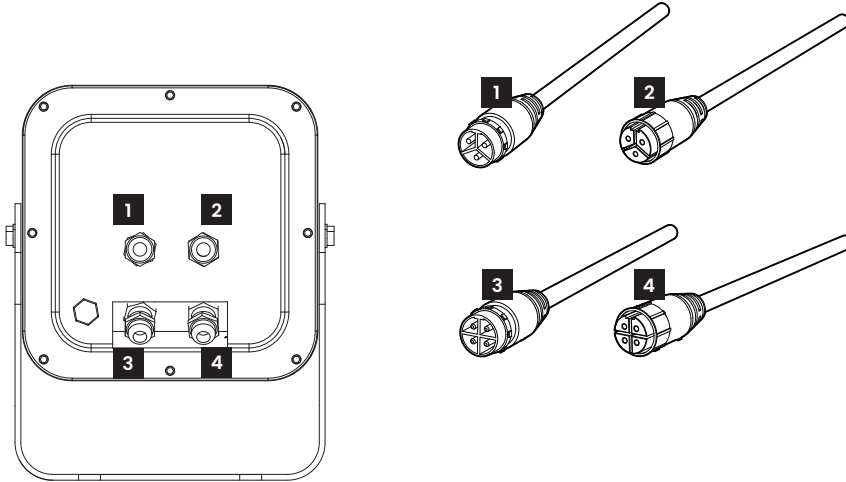
BL areaFLOOD

LED Box Wall Washer
36W, 100V-277VAC

BX1919

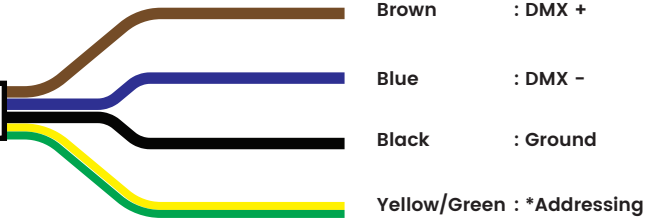
Printed

CONNECTIONS
Power and DMX



DMX CABLE

4-pin data connector



Brown : DMX +

Blue : DMX -

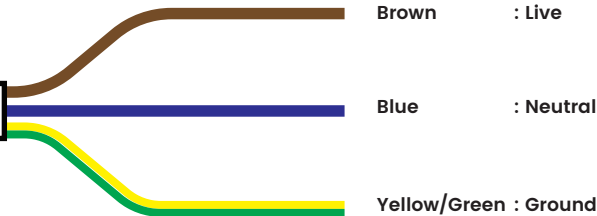
Black : Ground

Yellow/Green : *Addressing

*The addressing wire shouldn't be connected during operation. It's only used with the DMX addressing tool.

POWER CABLE

3-pin power connector



Brown : Live

Blue : Neutral

Yellow/Green : Ground

PROJECT

CLIENT

TYPE

Solid State Lighting is sensitive to power fluctuations
Surge protection is highly recommended for all LED lighting products and should be on a designated circuit to protect against premature failure
Lack of surge protection may void your warranty

For more information, please download the
BL LIGHTING catalogue

BL LIGHTING. ILLUMINATE EVERYTHING

111 - 8838 Heather St. Vancouver, BC, Canada. V6P 3S8
P: 1-604-874-4405 E: info@blighting.com
Copyright © BL INNOVATIVE LIGHTING. All Rights Reserved.

blighting.com

