

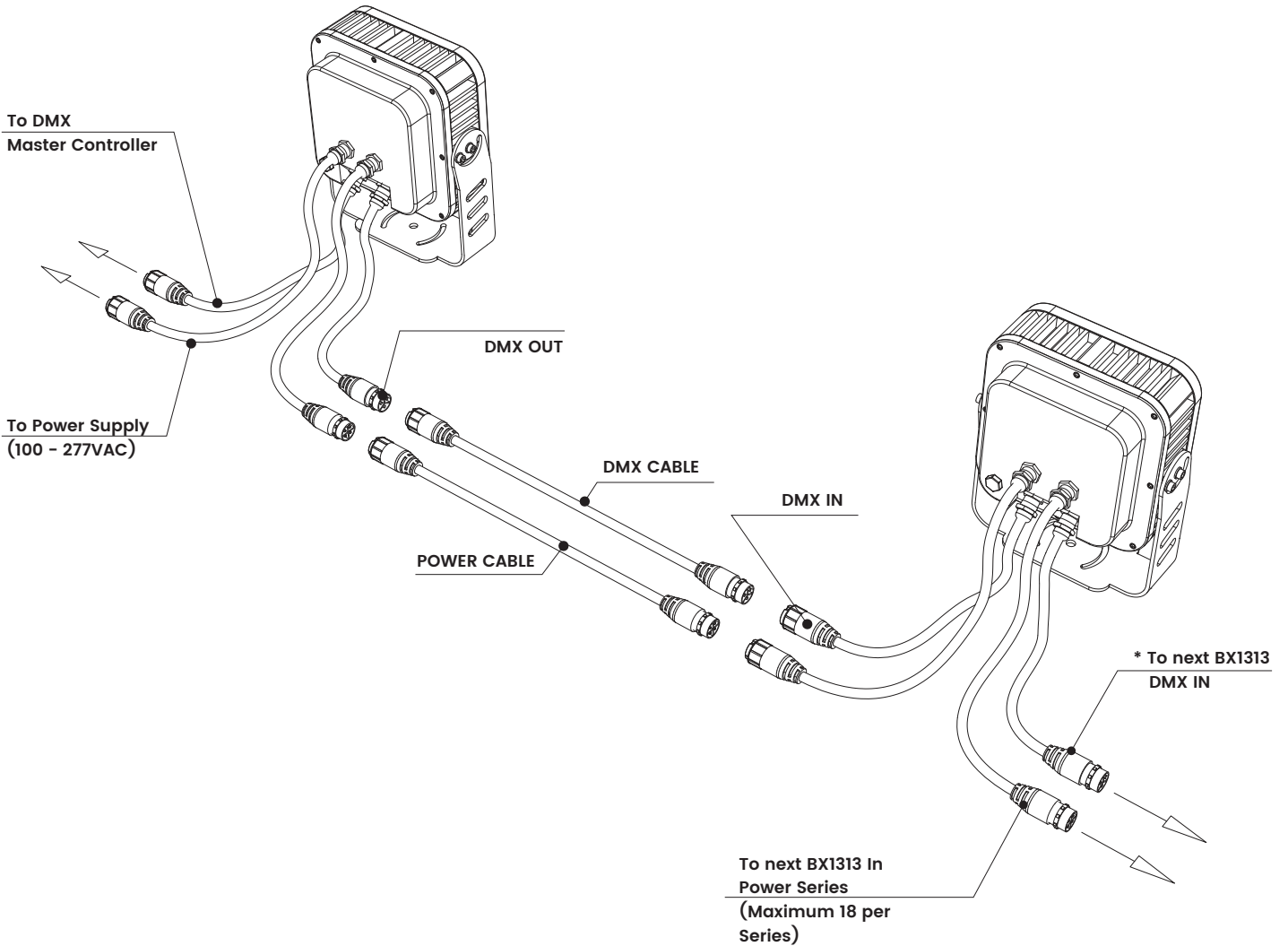
BL areaFLOOD

Compact DMX Controlled LED Projector
18W, 100V-277VAC

BX1313

Printed

CONNECTIONS
Power and DMX



***All devices in a DMX512 system must be connected in a "daisy chain" fashion. It is not permissible to have branching or splitting runs.**

PROJECT

CLIENT

TYPE

Solid State Lighting is sensitive to power fluctuations
Surge protection is highly recommended for all LED lighting products and should be on a designated circuit to protect against premature failure
Lack of surge protection may void your warranty

For more information, please download the
BL LIGHTING catalogue

BL LIGHTING. ILLUMINATE EVERYTHING

111 - 8838 Heather St. Vancouver, BC, Canada. V6P 3S8
P: 1-604-874-4405 E: info@blighting.com
Copyright © BL INNOVATIVE LIGHTING. All Rights Reserved.

blighting.com



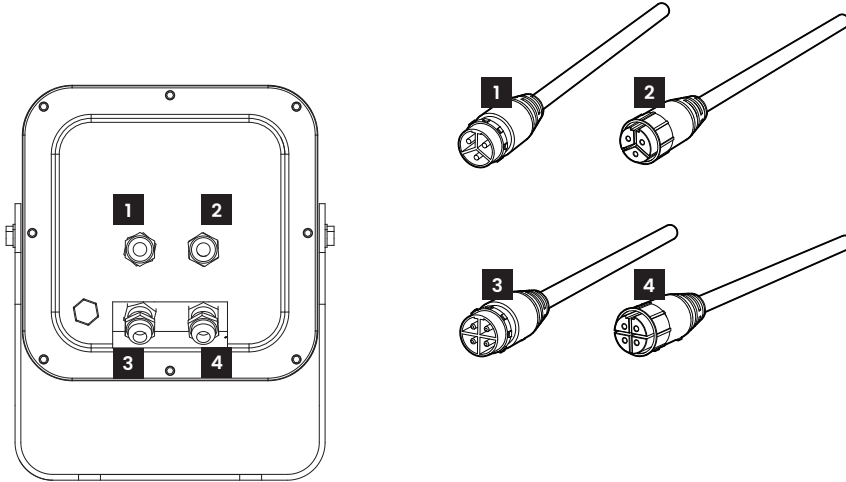
BL areaFLOOD

Compact DMX Controlled LED Projector
18W, 100V-277VAC

BX1313

Printed

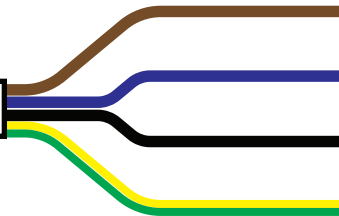
CONNECTIONS
Power and DMX



- 1** POWER 3 Pin Male Connector
- 2** POWER 3 Pin Female Connector
- 3** DMX 4 Pin Male Connector
- 4** DMX 4 Pin Female Connector

DMX CABLE

4-pin data connector

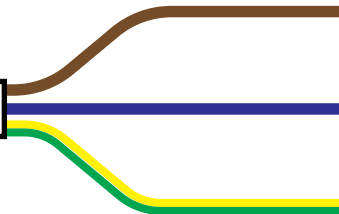


- Brown : DMX +
- Blue : DMX -
- Black : Ground
- Yellow/Green : *Addressing

*The addressing wire shouldn't be connected during operation. It's only used with the DMX addressing tool.

POWER CABLE

3-pin power connector



- Brown : Live
- Blue : Neutral
- Yellow/Green : Ground

PROJECT

CLIENT

TYPE

Solid State Lighting is sensitive to power fluctuations
Surge protection is highly recommended for all LED lighting products and should be on a designated circuit to protect against premature failure
Lack of surge protection may void your warranty

For more information, please download the
BL LIGHTING catalogue

BL LIGHTING. ILLUMINATE EVERYTHING

111 - 8838 Heather St. Vancouver, BC, Canada. V6P 3S8
P: 1-604-874-4405 E: info@blighting.com
Copyright © BL INNOVATIVE LIGHTING. All Rights Reserved.

blighting.com

