

BL areaCIRCULAR CR212

Circular DMX controlled LED Wall Washer
36W, Line Voltage

INSTALLATION INSTRUCTIONS

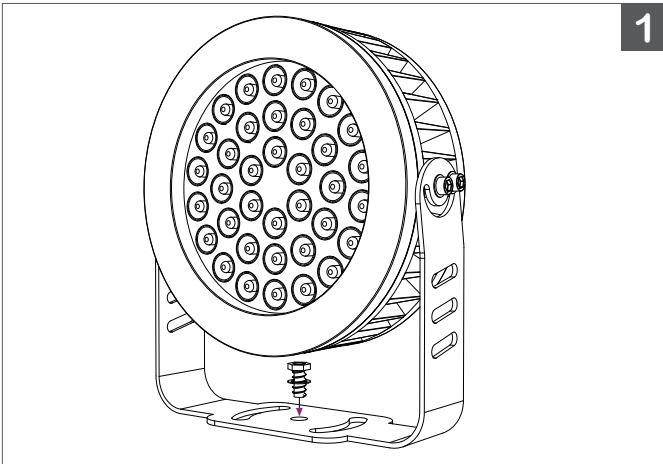


Please note that these instructions are guidelines only and in no way supersede any construction or installation standards. Local building and electrical codes should be consulted before installation.

ATTENTION

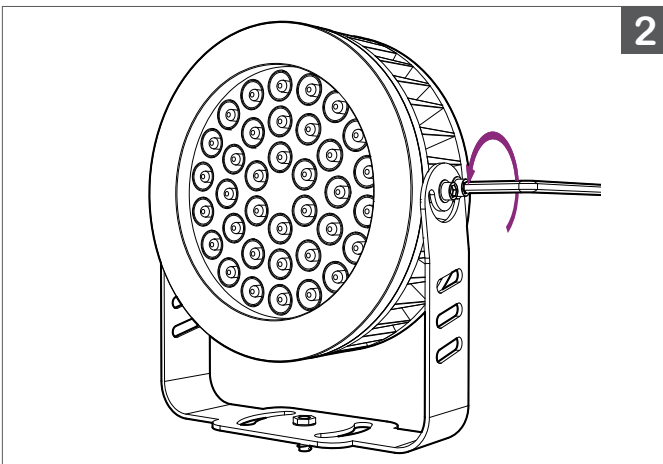
- There is potential danger of electrical shock when operating electrical components.
- Make sure power is turned off before installation.
- Allow for heat dissipation and adequate ventilation.

SURFACE MOUNT Mountable base with 180° Adjustable Bracket



1.

- A. Position **CR212** at desired location of install.
- B. Fasten mounting bracket with bolts through mounting holes.



2.

Loosen screws with Hex Key.

BL LIGHTING ILLUMINATE EVERYTHING

111 - 8838 Heather St. Vancouver, BC, Canada. V6P 3S8
P: 1-804-874-4405 E: info@blighting.com
Copyright © BL INNOVATIVE LIGHTING. All Rights Reserved.

Solid State Lighting is sensitive to power fluctuations. Surge protection is highly recommended for all LED lighting products and should be on a dedicated circuit to protect against premature failure. Lack of surge protection may void your warranty.

Designed & Assembled in North America.

Specifications subject to change without notice. Please refer to our website at blighting.com for current technical data.

For more information, please download the BL LIGHTING catalog

blighting.com



BL areaCIRCULAR CR212

Circular DMX controlled LED Wall Washer
36W, Line Voltage

INSTALLATION INSTRUCTIONS



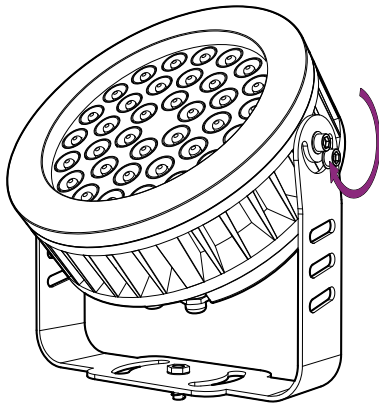
Please note that these instructions are guidelines only and in no way supersede any construction or installation standards. Local building and electrical codes should be consulted before installation.

ATTENTION

- There is potential danger of electrical shock when operating electrical components.
- Make sure power is turned off before installation.
- Allow for heat dissipation and adequate ventilation.

SURFACE MOUNT Mountable base with 180° Adjustable Bracket

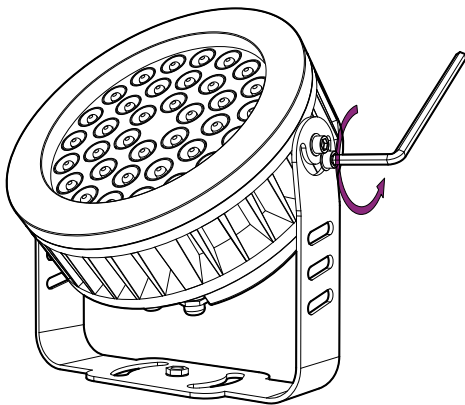
3



3.

Tilt **CR212** at desired angle.

4



4.

Re-Tighten with Hex Key.

BL LIGHTING ILLUMINATE EVERYTHING

111 - 8838 Heather St. Vancouver, BC, Canada. V6P 3S8
P: 1-804-874-4405 E: info@bllighting.com
Copyright © BL INNOVATIVE LIGHTING. All Rights Reserved.

Solid State Lighting is sensitive to power fluctuations. Surge protection is highly recommended for all LED lighting products and should be on a dedicated circuit to protect against premature failure. Lack of surge protection may void your warranty.

Designed & Assembled in North America.

Specifications subject to change without notice. Please refer to our website at bllighting.com for current technical data.

For more information, please download the BL LIGHTING catalog

bllighting.com

