

BL areaCIRCULAR CR212

Circular LED Wall Washer
36W, 100-277VAC Line Voltage

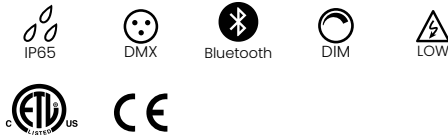


BL areaCIRCULAR CR212 is a high-performance, efficient, LED floodlight, perfect for wall washing and area flood effects, in addition to grazing, accenting and architectural highlighting. Durably constructed with an internal 100-277VAC power supply, a compact 8.35" diameter black powder coated aluminum housing, clear tempered glass lens, and rated IP66 for wet locations. Static colors and DMX controllable RGBW are available in four beam angle options, perfect for creating dynamic illumination of landscapes, monuments, flag pole lighting, canopies and facades.

Up to 3,240 lm/unit 100-277VAC

CLIENT	
PROJECT NAME	
LOCATION	
DATE	

Product Detail



Maximum per series:

- 32 units(Signal)
- 18 units (Power)

Lighting	Power	36W
	Average Life	50,000 Hours
	Controls	0-10V, DMX, Bluetooth
Electrical	Input Voltage	100-277VAC
	Connections	18AWG Copper Conductors
Mechanical	Housing Construction	Dark Gray Powder Coated Aluminum Body Tempered Glass Lens
	Weight	5.73lbs (2.6kg)
	Mounting	Integrated Mounting Bracket
	Adjustable Bracket	180°
Accessories	CR212 PCH	Power Cable 3pin Connector (5FT, 15FT, 30FT)
	CR212 PCE	Power Cable Extension 3pin Connector (5FT, 15FT, 30FT)
	CR212 DMX 4PH	DMX Cable 4pin Connector (5FT, 15FT, 30FT)
	CR212 DMX 4PE	DMX Cable Extension 4pin Connector (5FT, 15FT, 30FT)
Environmental	CR212 DMX RT 4MP	DMX Terminator 4pin Male Connector (120-ohm Resistor)
	Ingress Protection	IP65
	Operating Temperature	-22°F to 122°F (-30°C to 50°C)
	Certifications	ETL, CE

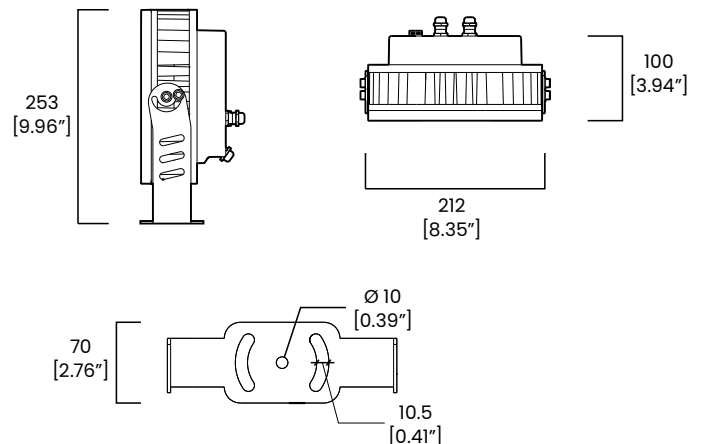
Performance

CCT/Color		3000K	4000K	5000K	RGBW (3000K)	RGBW (4000K)	RGBW (6000K)
Power	W/unit	36					
Lumens	lm/unit	3240	3240	3240	1260	1260	1260
Efficacy	lm/W	90	90	90	35	35	35

Ordering

Product Code	CCT/Color	Beam Angle
BL areaCIRCULAR CR212	3000K	15D (15°)
	4000K	30D (30°)
	5000K	45D (45°)
	RGBW (3000K)	60D (60°)
	RGBW (4000K)	90D (90°)
	RGBW (6000K)	

Dimensions



BL LIGHTING ILLUMINATE EVERYTHING

111 - 8838 Heather St. Vancouver, BC, Canada. V6P 3S8
P: 1-604-874-4405 E: info@bllighting.com
Copyright © BL INNOVATIVE LIGHTING. All Rights Reserved.

Solid State Lighting is sensitive to power fluctuations. Surge protection is highly recommended for all LED lighting products and should be on a dedicated circuit to protect against premature failure. Lack of surge protection may void your warranty.

Designed & Assembled in North America.

Specifications subject to change without notice. Please refer to our website at bllighting.com for current technical data.

For more information, please download the BL LIGHTING catalog

bllighting.com

