

BL PRO 1614 CH K

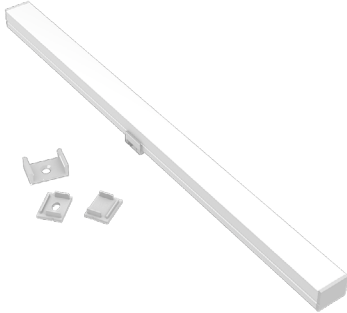
Indoor Surface Mount Aluminium Extrusion
Designed for use with **BL PRO** LED Series



BL PRO 1614CH K surface mount channel has a 3/4" (18.5mm) wide low profile optic, allowing for creation of virtually infinite lines of cohesive light, in a variety of lumen packages. The standard 8ft lengths are field cuttable, and easy to install with included surface mounting clips.

CLIENT	
PROJECT NAME	
LOCATION	
DATE	

Product Detail

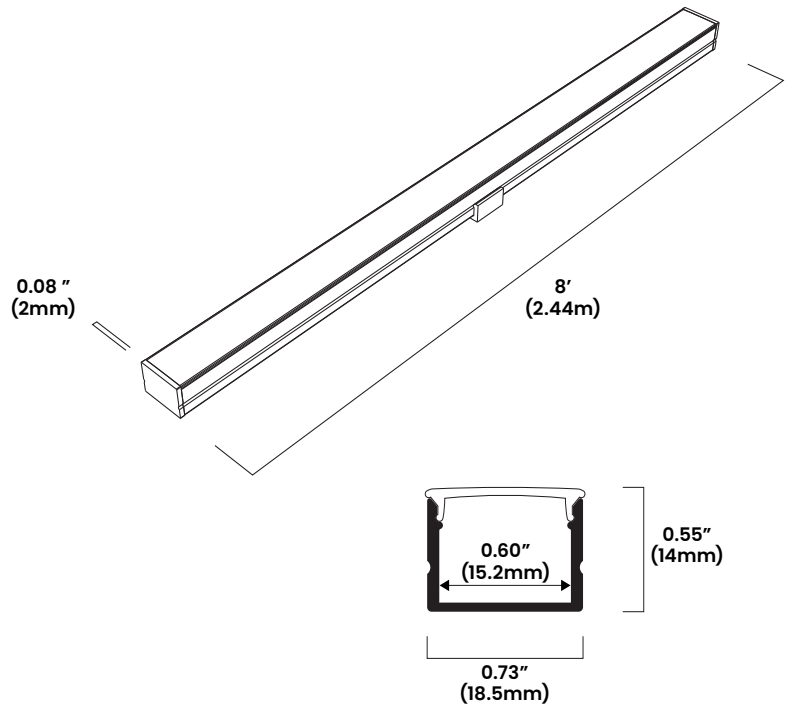


Mechanical	Housing Construction	Aluminum Enclosure Polycarbonate Optic (75% Trans.) Plastic End Caps
	Stock Length	8ft (2.44m)
Components	BL-PRO-1614-CH	Aluminum Base Track
	BL-PRO-1614-LE	Polycarbonate Optic
	BL-PRO-1614-EC	Plastic End Cap
	BL-PRO-1614-CP	Plastic Mounting Clips
Environmental	Ingress Protection	IP20
	Certifications	cULus

Ordering

Product Code
BL-PRO-1614-CH-K

Dimensions



BL LIGHTING ILLUMINATE EVERYTHING

111 - 8838 Heather St. Vancouver, BC, Canada. V6P 3S8
P: 1-804-874-4405 E: info@bllighting.com
Copyright © BL INNOVATIVE LIGHTING. All Rights Reserved.

Solid State Lighting is sensitive to power fluctuations. Surge protection is highly recommended for all LED lighting products and should be on a dedicated circuit to protect against premature failure. Lack of surge protection may void your warranty.

Designed & Assembled in North America.

Specifications subject to change without notice. Please refer to our website at bllighting.com for current technical data.

For more information, please download the BL LIGHTING catalog

bllighting.com

