



Please note that these instructions are guidelines only and in no way supersede any construction or installation standards. Local building and electrical codes should be consulted before installation.

ATTENTION

- There is potential danger of electrical shock when operating electrical components.
- Make sure power is turned off before installation.
- Allow for heat dissipation and adequate ventilation.

Figure 1



Dome 0.63" x 1.14" (16 mm x 29 mm)
Min. Bend Radius 2.36" (60 mm)



Flat 0.45" x 0.83" (11.5 mm x 21 mm)
Min. Bend Radius 2.36" (60 mm)



Side 0.63" x 0.67" (16 mm x 17 mm)
Min. Bend Radius 5.91" (150 mm)



Mini Flat 0.35" x 0.7" (9 mm x 18 mm)
Min. Bend Radius 3.54" (90 mm)



Mini Side 0.39" x 0.39" (10 mm x 10 mm)
Min. Bend Radius 3.94" (100 mm)



Bright Side 0.86" x 0.75" (22 mm x 19 mm)
Min. Bend Radius 15.75" (400 mm)



3S Side 0.63" x 0.67" (16 mm x 17 mm)
Min. Bend Radius 5.91" (150 mm)

Figure 1.

Dome and Flat bend horizontally, alongside the light surface.
Side bends vertically, across the light surface.

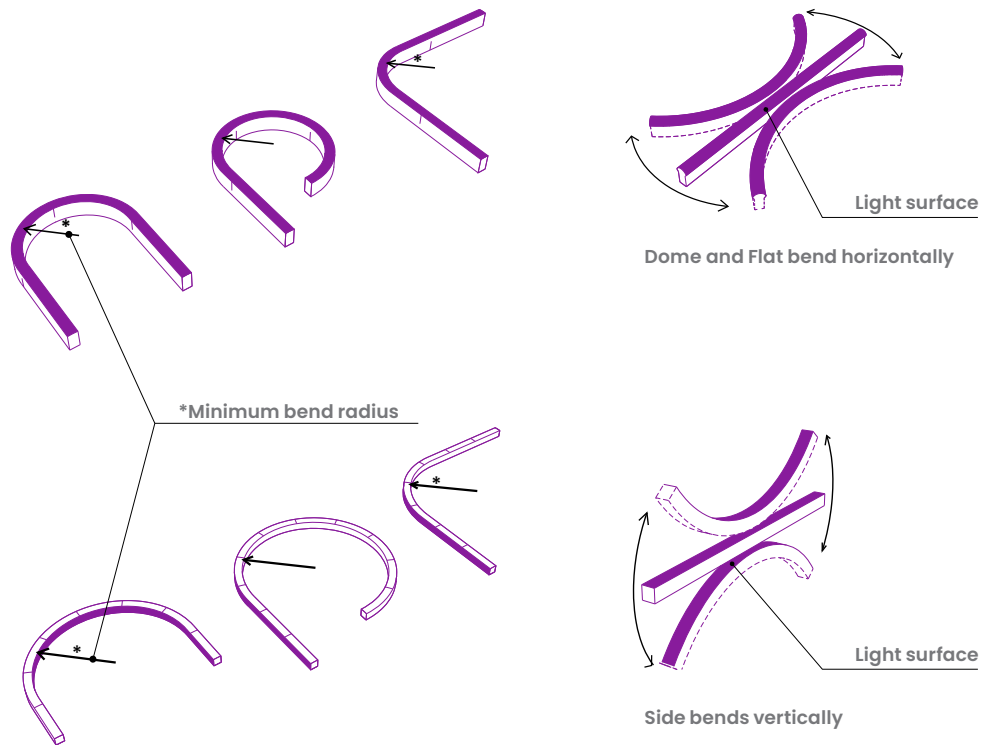


Figure 2

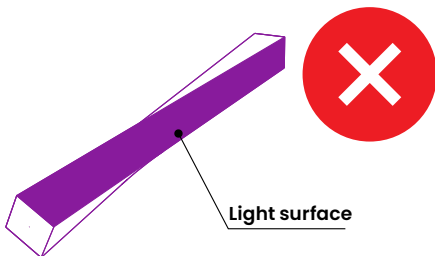


Figure 2.

Unpackage **BL Neonview** for installation. Handle with care, and do not twist or bend the lighting in the wrong direction or internal damage may occur.



Figure 3

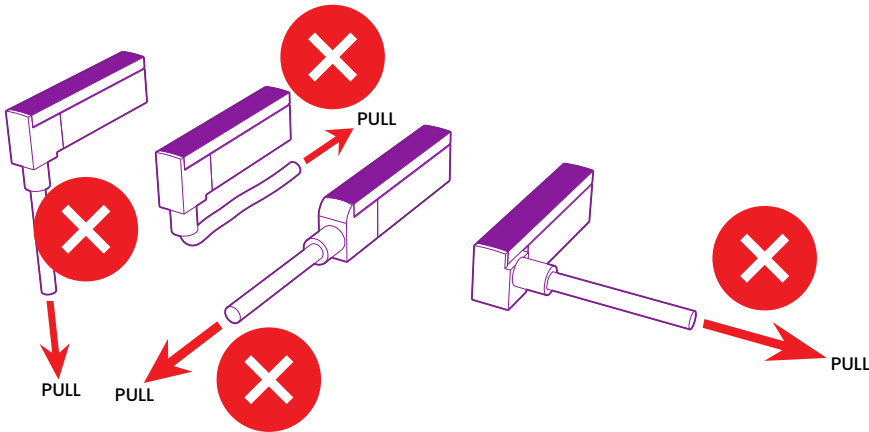


Figure 3.

To avoid damage, never pull, bend, twist, or put strain on the lead wires at the junction.

Figure 4

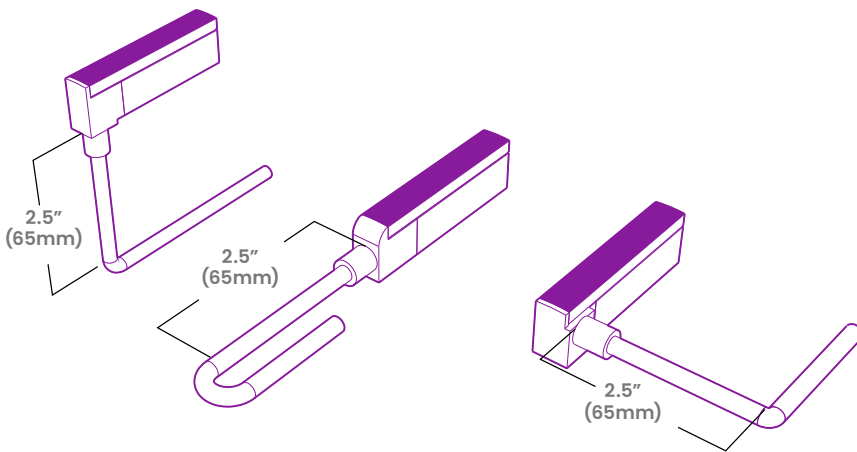


Figure 4.

It is recommended that the **BL Neonview** Termination Lead Wires come straight out from the light for the first 2.5" (65mm), before bending.

Figure 5

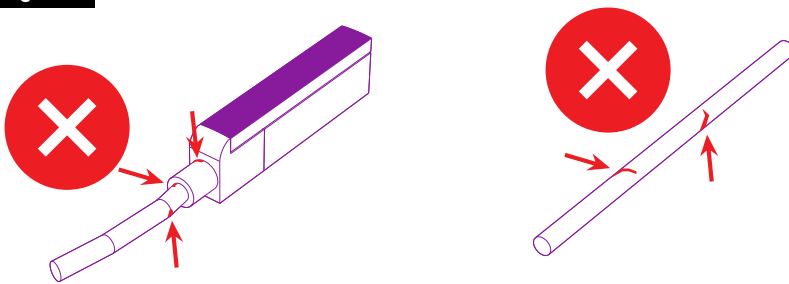


Figure 5.

Do not install or use if Termination Lead Wires or junctions are damaged or scratched.



Figure 6

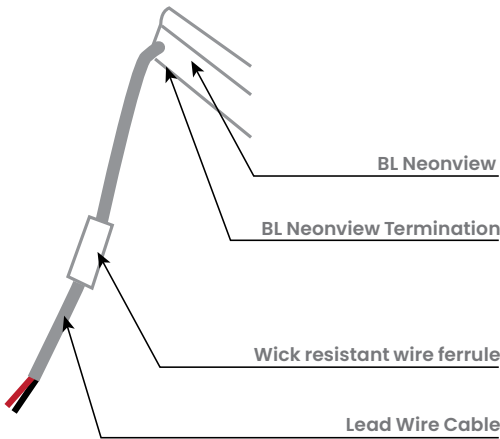


Figure 6.

Do not remove the wick resistant wire ferrule, which is designed to reduce the risk of water ingress from the cable in case of inadequate or failed waterproof treatment of any field connection or cable joint, from the lead wire cable to the power supply on site.

All **BL Neonview** Termination Lead Wire Cable connections must be sealed to eliminate moisture ingress into the Lead Wire Cable. It is recommended to make all cable joint connections in an appropriate weather-proof junction box.

Figure 7

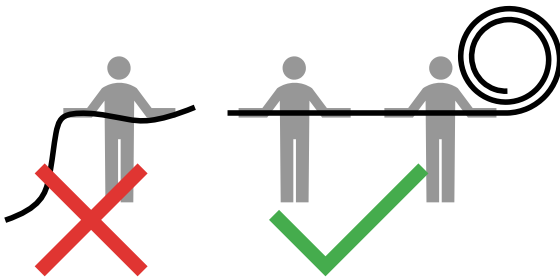


Figure 7.

For lengths exceeding 6ft, one person is required to mount **BL Neonview** into Mounting Channel or Clips, and a second person to support the length of LED during installation.

Do not bend the luminaire past the minimum diameter, and do not twist or bend in the opposite direction of its specified bending direction to avoid damage to the internal circuit board. (Refer to Figures 1-4)

Please refer to technical data sheets for detailed information.



For installation using Mounting Channel or Clips equipped with Silicone Grip

Figure 8.

Measure **BL Neonview** Aluminum Mounting Channel and Clips to required length, cut and place for accurate coupling with **BL Neonview**. For Mounting Clips, a minimum of 2 per foot is recommended. Ensure mounting surface and Channel or Clips are clean of debris and smooth, remove any burrs left from cutting channel prior to installation.

Mount with appropriate screws or fasteners for the intended mounting surface, using through holes, spaced every 4.57" (116mm). Self tapping screws up to size M3, or #6, are recommended for mounting on wood or metal plate surfaces, and may be appropriate for other surfaces in combination with wall plugs.

Figure 9.

Press gently, using the palm of your hand to apply the light pressure needed to securely seat **BL Neonview** fully into channel or clip, until the light is fully engaged with the silicone seals, taking care not to twist or place at an angle exceeding 15° Installation angle to avoid damage to the internal circuit board. For lengths in excess of 6ft, a 2nd qualified installer is recommended to support the lighting at an appropriate angle during installation.

Figure 10.

BL Neonview Termination Connections and End Caps are not meant to be installed inside of the Mounting Channel and must be located a minimum of 0.39" to 0.79" (10mm to 20mm) from the end of the Channel.

Figure 11.

Never coat the **BL Neonview** Termination Kit junction - the connection between the lead wire and the lighting - with adhesives or sealants.

Installation of Mounting Channel without Silicone Grip

Figure 12.

When using Channel or Clips not equipped with Silicone Grip, adhesive is recommended in vertical and down facing installations to ensure long term steadfast installation. Place a small dab of adhesive (0.025ml) on the inside ridge at 6" intervals along the Channels and repeat the process on the diagonal side. For Clips, place 2 dabs per clip in kitty corner position. Place adhesive and **BL Neonview** into Channel or Clip one at a time, before continuing onto the next segment as the adhesive dries quickly. Allow adhesive adequate cure time prior to subjecting to service load.

Figure 8

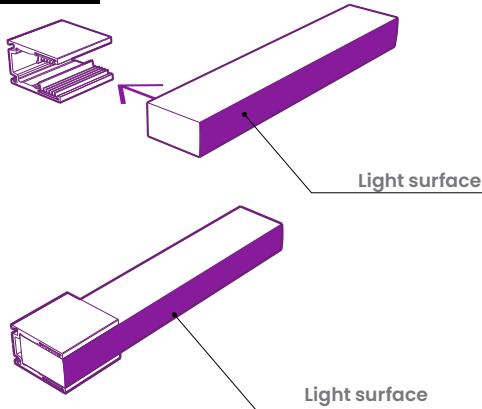


Figure 9

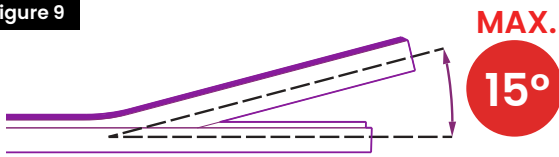


Figure 10

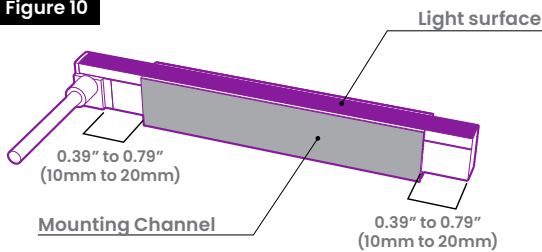


Figure 11

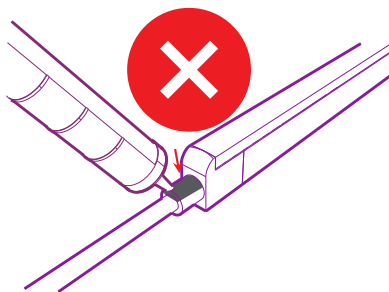


Figure 12

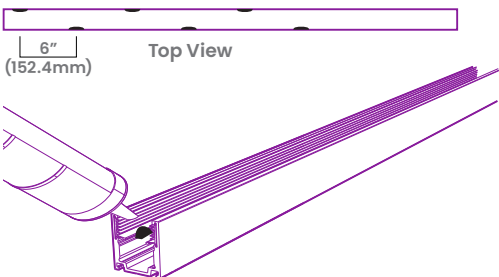
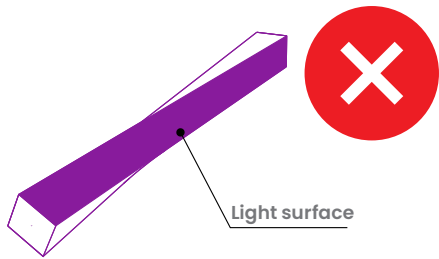


Figure 13

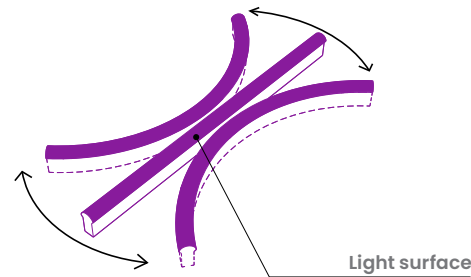


For Installation with Flexible Mounting Channel

Figure 13.

Do not twist or bend incorrectly. Twisting, excessive bending, or bending other than in the specified bending direction of the LED may damage the lighting.

Figure 14






-  **Dome** 0.63" x 1.14" (16 mm x 29 mm)
Min. Bend Radius 2.36" (60 mm)
-  **Flat** 0.45" x 0.83" (11.5 mm x 21 mm)
Min. Bend Radius 2.36" (60mm)
-  **Mini Flat** 0.35" x 0.7" (9 mm x 18 mm)
Min. Bend Radius 3.54" (90 mm)

Figure 15 Flexible Mounting Channel

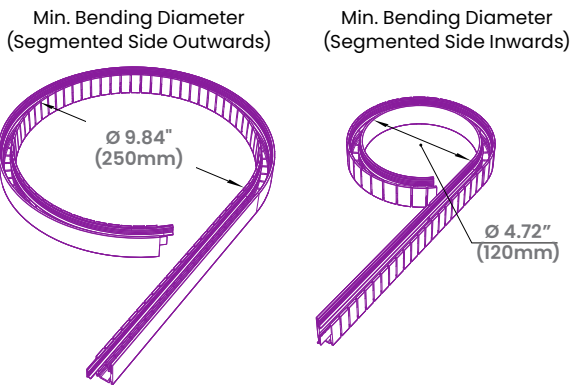


Figure 14.

Flexible Mounting Channel is for use with horizontal bending **Dome** and **Flat** profile styles

Figure 15.

Mark out the required shape on the mounting surface, observing the minimum bending diameter of the Flexible Mounting Channel.

Figure 16

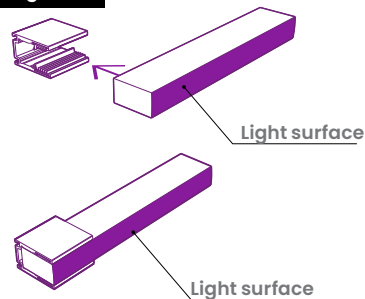


Figure 16 & 17.

Press gently, using the palm of your hand to apply the light pressure needed to securely seat **BL Neonview** fully into channel or clip, until the light is fully engaged with the silicone seals, taking care not to twist or place at an angle exceeding 15° Installation angle to avoid damage to the internal circuit board. For lengths in excess of 6ft, a 2nd qualified installer is recommended to support the lighting at an appropriate angle during installation.

Figure 17

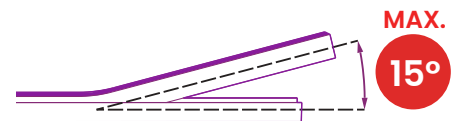


Figure 18

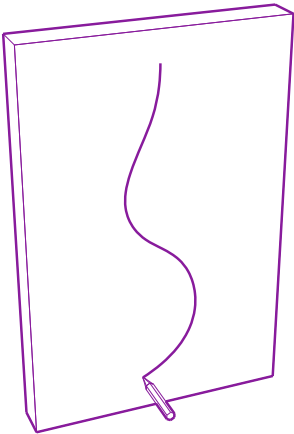


Figure 19

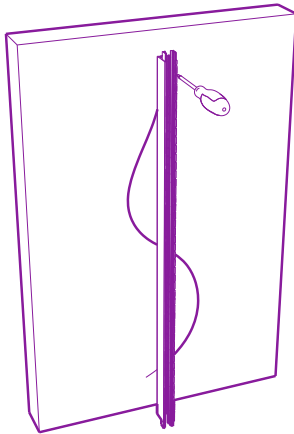


Figure 20

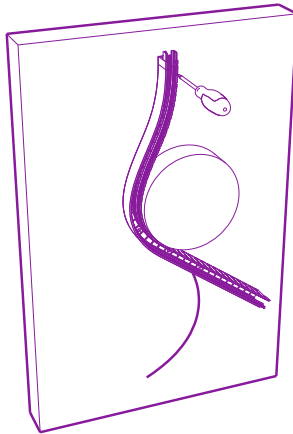


Figure 21

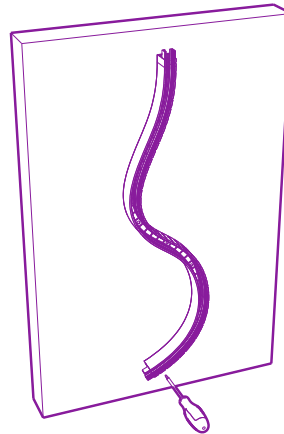


Figure 22

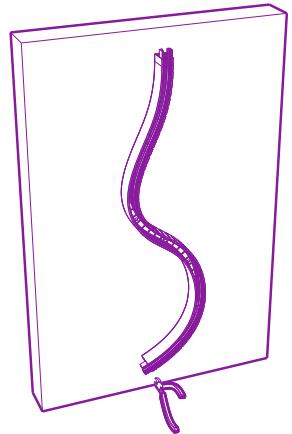


Figure 18.

Layout and measure **BL Neonview** Flexible Mounting Channel to required length. Ensure mounting surface and Channel are clean of debris and smooth, remove any burrs left from cutting channel prior to installation.

Figure 19.

Place the Flexible Mounting Channel to the surface, and fasten starting at the power feed end. Note that the **BL Neonview** Termination is not meant to be installed inside of the Flexible Mounting Channel and must be located a minimum of 0.39" (10mm) from the end of the Channel.

Mount with appropriate screws or fasteners for the intended mounting surface, using through holes, spaced every 4.57" (116mm). Self tapping screws up to size M3, or #6, are recommended for mounting on wood or metal plate surfaces, and may be appropriate for other surfaces in combination with wall plugs.

Figure 20.

Carefully form your desired shape, ensuring that the silicone grip on the segmented side of the channel can freely move along the length as you apply the bends, and do not bend past the bend radius which could cause the channel to become deformed by denting or buckling.

The excess length of silicone grip on that side allows it to easily adapt to your formed shape, and may be trimmed to size once the Flexible Mounting Channel is firmly in place. A cylinder or disc-like object can be used as a bending tool to help attain the desired shape.

Figure 21.

Fasten the rest in sequence along the layout.

Figure 22.

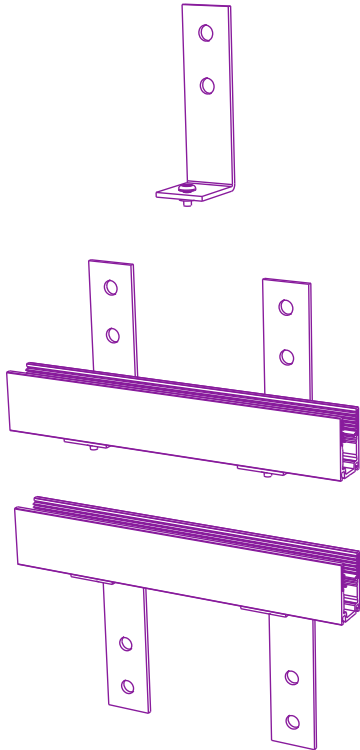
Once firmly mounted in place, adjust the silicone grip and remove any excess length.

WARNING:

BL Neonview Flexible Mounting Channel has a super shape memory and must not be subject to repeated bending or damage may occur.



Figure 23



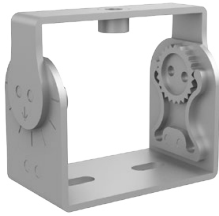
L-Bracket Mounting Adaptor

NV MA LB
BL Neonview

Figure 23.

Secure the L Bracket to the Mounting Channel with screws, a minimum of two L Brackets are required for each length of Mounting Channel. It is recommended to place at equal intervals along the length. Mark out the mounting position, and secure the L-Bracket to the mounting surface using appropriate fasteners.





180° Adjustable Mounting Channel Adaptor

NV MA 180 BL Neonview

Figure 24

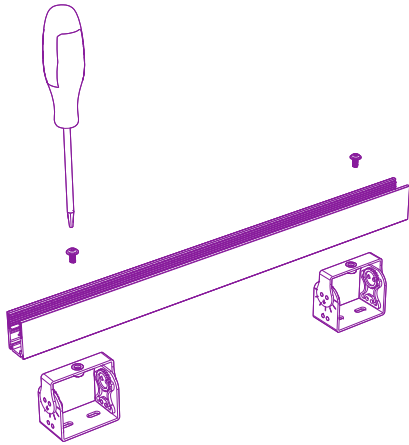


Figure 24.

Use a minimum of two NVMA180 per length of the Mounting Channel. Mark out the installation position on the mounting surface. Secure the Channel Adaptor to the Mounting Channel with screws.

Figure 25

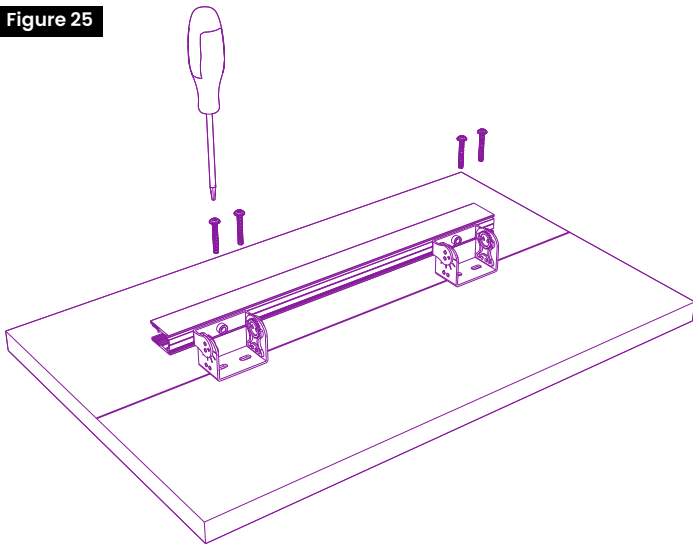


Figure 26

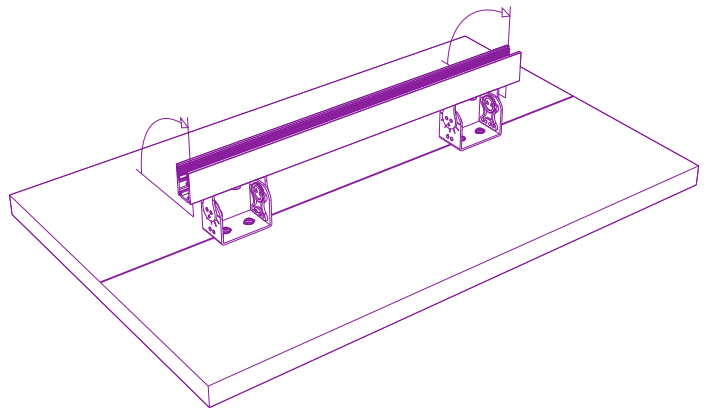


Figure 25 & 26.

Place the Mounting Channel at a 90° angle, and fasten the 180° Adjustable Mounting Channel Adaptors to the mounting surface where marked, Place the Mounting Channel back into the original position.



Figure 27

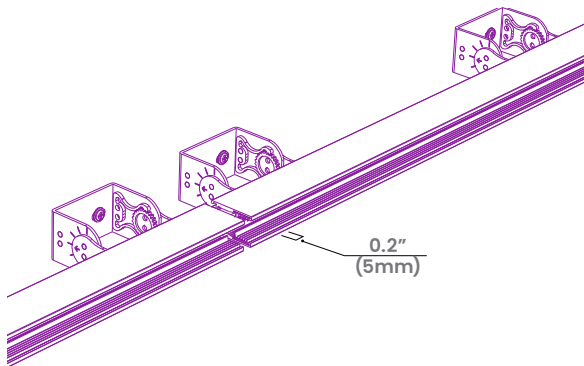


Figure 27.

When installing multiple lengths of Mounting Channel, space a minimum of 0.2" (5mm) apart to allow for expansion and contraction at the joint.

Figure 28

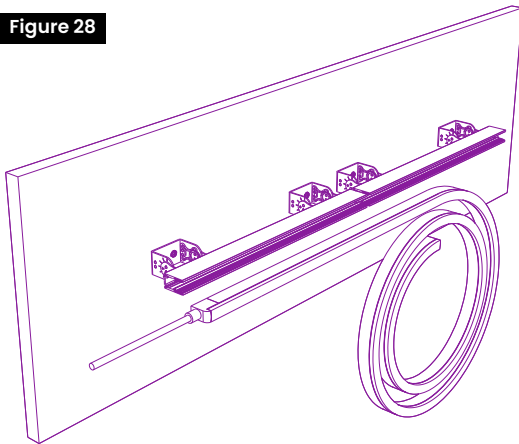


Figure 28.

Press gently, using the palm of your hand to apply the light pressure needed to securely seat **BL Neonview** fully into channel or clip, until the light is fully engaged with the silicone seals, taking care not to twist or place at an angle exceeding 15° installation angle to avoid damage to the internal circuit board. For lengths in excess of 6ft, a 2nd qualified installer is recommended to support the lighting at an appropriate angle during installation.

Figure 29

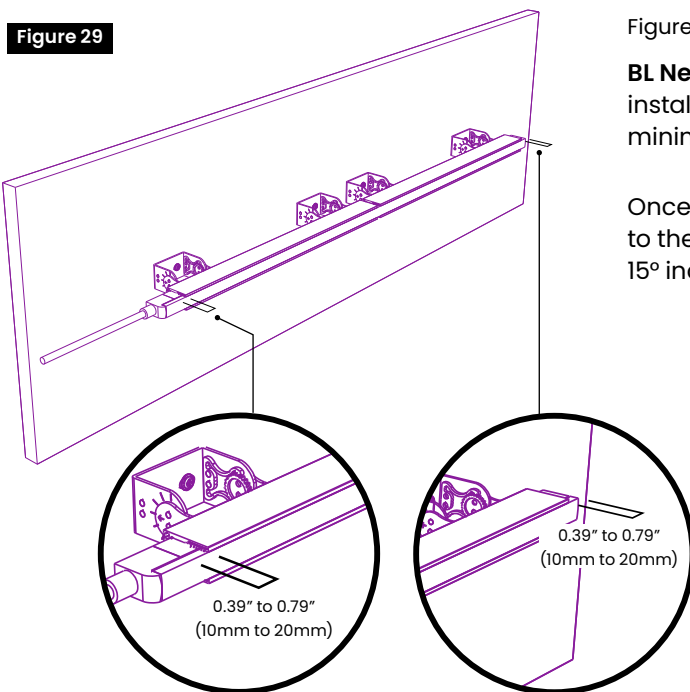


Figure 29.

BL Neonview Termination Connections and End Caps are not meant to be installed inside of the Flexible Mounting Channel and must be located a minimum of 0.39" to 0.79" (10mm to 20mm) from the end of the Channel.

Once **BL Neonview** is secured, power on and rotate the Mounting Channel to the desired position. The Mounting Channel should only be rotated in 15° increments to avoid twisting the lighting.

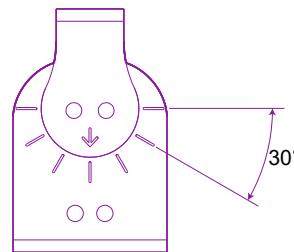


Figure 30

BL Neonview Mounting Channel Installation - Cautions

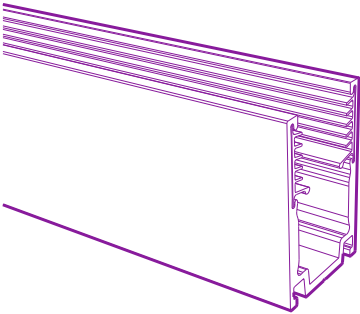


Figure 30.

When installing multiple lengths of Mounting Channel, space a minimum of 0.2" (5mm) apart to allow for expansion and contraction at the joint.

Figure 31

Figure 31 & 32.

If Silicone Grip should come loose from the Mounting Channel (for Channels equipped with Silicone Grip), reattach using a small quantity of adhesive (a 13/64" (5mm) to 5 / 16" (8mm) bead is adequate) and ensure the rounded head of the Silicone Grip is facing downwards towards the track, prior to installing **BL Neonview**.

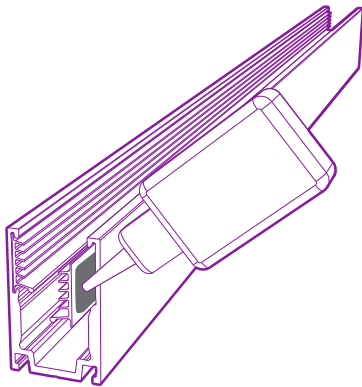


Figure 32

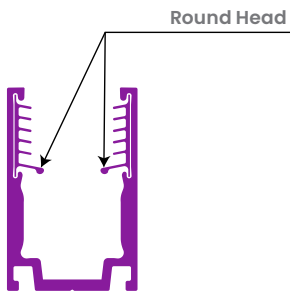


Figure 33

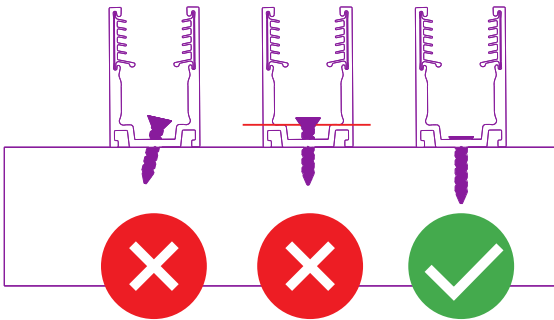


Figure 33.

Ensure screws are seated and positioned properly, with the screw head in line with, or below, the base of the Mounting Channel or Clip. Mount with appropriate screws or fasteners for the intended mounting surface, using through holes, spaced every 4.57" (116mm). Self tapping screws up to size M3, or #6, are recommended for mounting on wood or metal plate surfaces, and may be appropriate for other surfaces in combination with wall plugs.

Figure 34

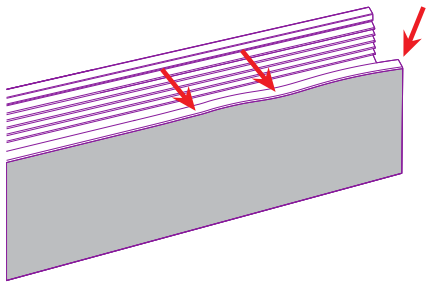


Figure 34.
Do not use any damaged or deformed Mounting Channel.

Figure 35

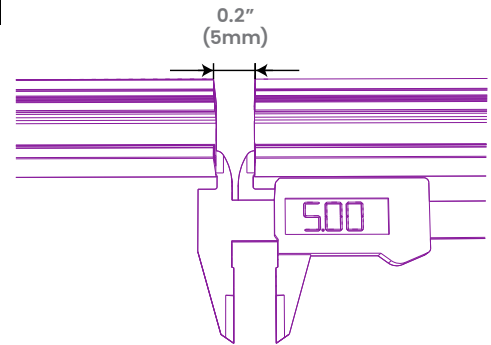


Figure 35.
When placing the Mounting Channel, space a minimum of 0.2" (5mm) apart to allow for expansion and contraction at the joint.

Figure 36

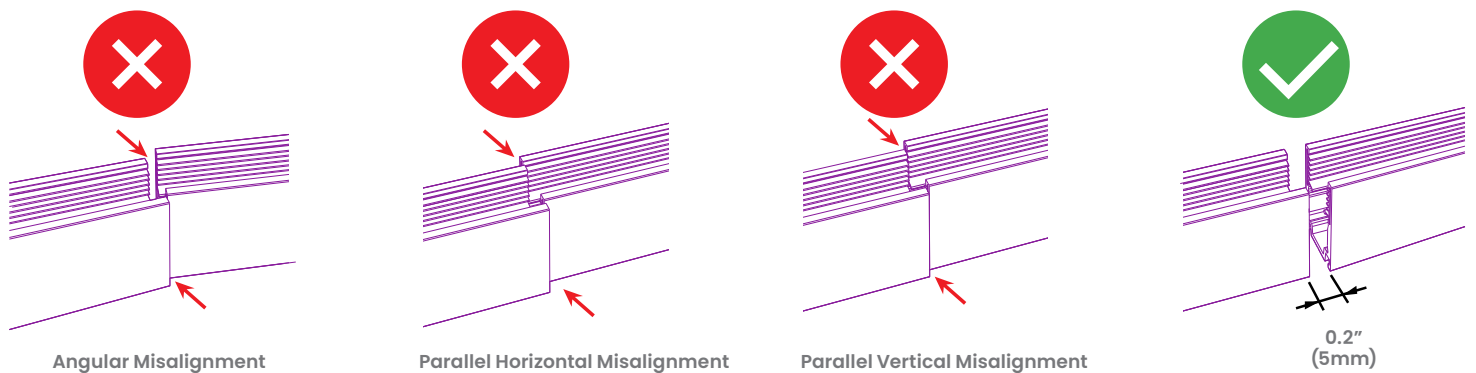


Figure 36.
Ensure Mounting Channels are installed in proper alignment. Misalignment could cause improper bending of **BL Neonview** and lead to damage or failure.



Figure 37

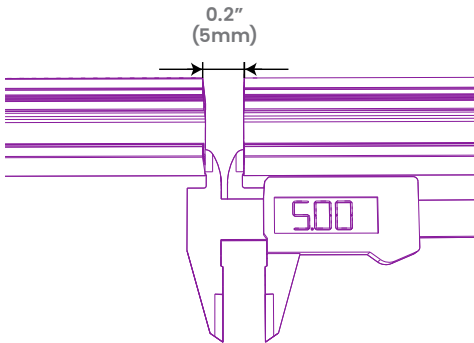


Figure 38

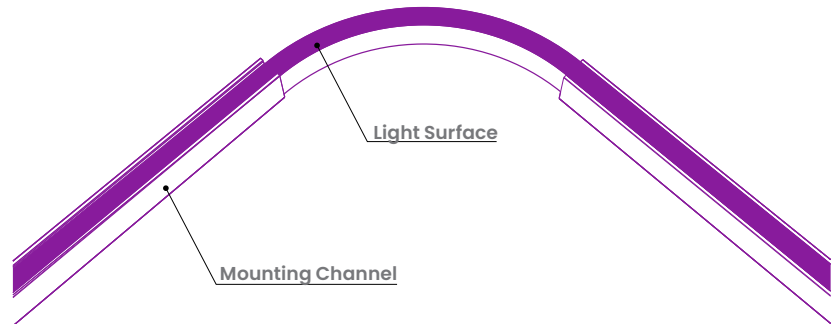


Figure 39

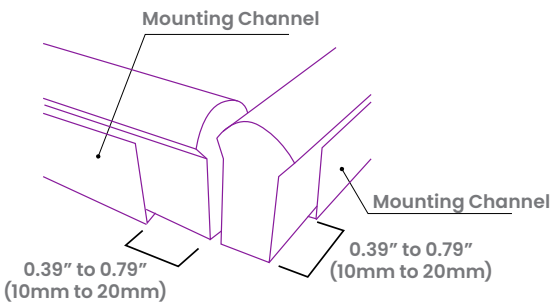


Figure 37-39.

For curved installations, leave adequate space between Mounting Channels to take the bends, or use the Flexible Mounting Channel instead.

Mounting Channels may be right angle joined only when there are two separate **BL Neonview** run lengths to be butt up against each other, end to end. **BL Neonview** CANNOT be bent at a 90° angle, please refer to Technical Data Sheets at www.bllighting.com for up to date minimum bending diameter details.

Figure 40

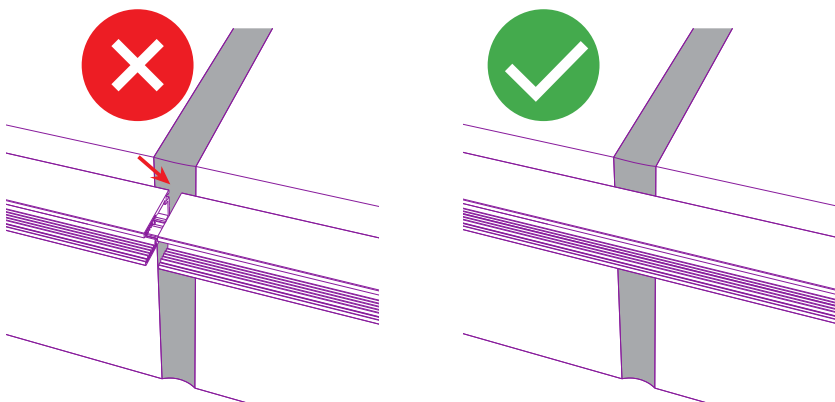


Figure 40.

When installing the Mounting Channel over a joint or gap, ensure the Mounting Channel is installed spanning over the joint to avoid damage by preventing misalignment due to expansion and contraction over time.



Figure 41

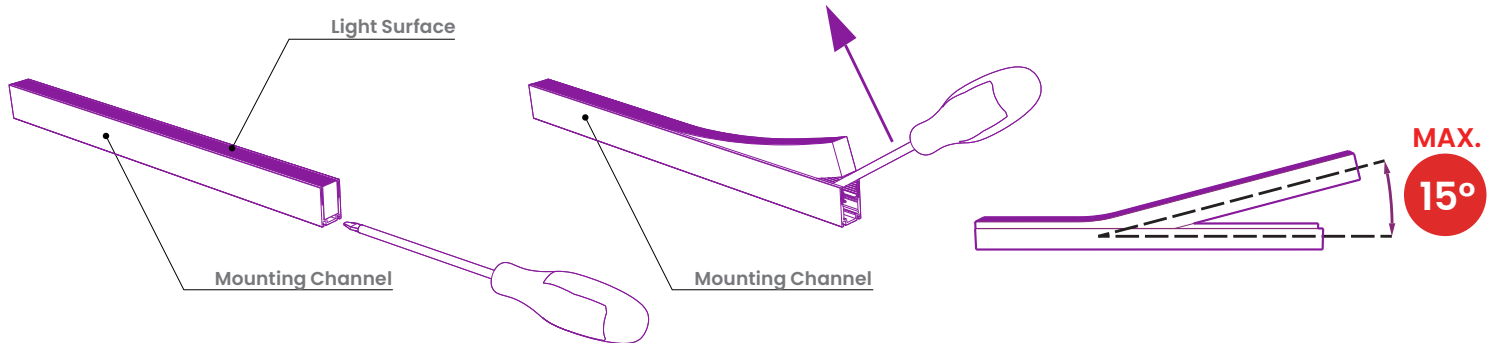


Figure 41.

BL Neonview is meant for permanent installations. To prevent damage to the lighting, it is not recommended to uninstall and reinstall the lighting repeatedly.

If the lighting needs to be removed for any reason, take care to handle gently to prevent damage. It's recommended to use a flat screwdriver to first carefully loosen the end of the light from the Mounting Channel, and then pull **BL Neonview** out slowly and evenly along the length, taking care not to place at an angle exceeding 15° between **BL Neonview** and the Mounting Channel. For lengths exceeding 6ft (2m). A 2nd qualified person is recommended to support the lighting at an appropriate angle.

Do not illuminate **BL Neonview** when coiled.

Do not mix RGBW in full load simultaneously.

Use appropriate sized countersink screws suitable for your application.

Do not operate **BL Neonview** when the ambient temperature exceeds the Operational Range temperatures as specified in each individual product's Technical Data Sheet. Refer to www.bllighting.com for up to date specifications and technical data.

Do not install the lighting when the ambient temperature exceeds the recommended installation temperature, which must be between 32°F and 113°F (0°C and 45°C). Lighting must always be powered down and OFF during installation.

BL Lighting takes pride in providing quality lighting products designed to last, and our lighting goes through rigorous quality controls throughout the manufacturing process. This includes a final bench test which is conducted just prior to the shipment, ensuring that all lighting leaves our facility in good working order. It is recommended to bench test all lighting upon receipt and prior to final installation. Damage and shortage claims must be received within one week of receipt of goods.

BL Neonview operates on 24VDC; please check the voltage rating before starting. Refer to tables in the technical data pages for the power draw requirements. Install with an appropriate, BL Lighting supplied Class 2 rated LED Driver and Surge Protection Device. Consult the electrical code for details on selecting wire, mounting and installing power supplies/drivers. LED lighting is polarity sensitive. BL Lighting offers a range of dimmable and static LED drivers and power supplies, see www.bllighting.com for more details.

