

# BL LED Driver Phase Cut J5 T96W

Dimming LED Driver (Phase Cut, ELV and MLV)  
3 x 96W, Constant Voltage, 24VDC



Compatible with Phase Cut, ELV and MLV dimming protocols, the BL LED Driver Phase Cut J5 are UL Listed, Class 2, and have a universal 100-277VAC input voltage. Available in a range of sizes that can power up to 288W over 3x96W output channels, these constant voltage LED Drivers are enclosed in a low profile housing with integrated wiring compartments, making installation easy.

**Quick Ship**

CLIENT	
PROJECT NAME	
LOCATION	
DATE	

## Product Detail



### Electrical

Input Voltage	100-277VAC
Input Frequency	47-63 Hz
Max Input Current	3.4A
Output Voltage	24VDC, Constant Voltage
Power	3 x 96W
Min. Power Draw	10W per channel
Dimming	Phase Cut, ELV, MLV
Min. Dimming Level	0%
Max. Output Current	3 x 4.0A
Connections	16 AWG, Copper Conductors
Power Factor	0.96 - 0.99
Ambient Temperature	-40°F to 140°F (-40°C to 60°C)
Max. Case Temperature	158°F (70°C)

### Mechanical

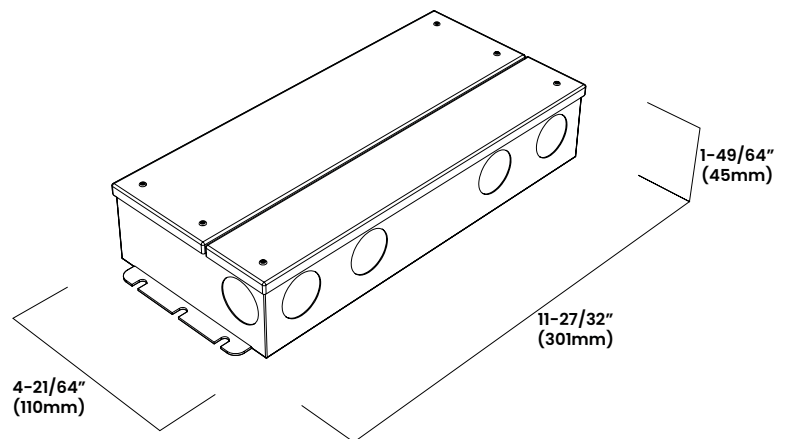
Circuit	Class 2
Housing Construction	Anodized Aluminum
Weight	5.3lb (2.4kg)
Environmental	IP65

## Ordering

Product Code

BL LED DRIVER-Phase Cut-J5-T96W

## Dimensions



**BL LIGHTING**  
ILLUMINATE EVERYTHING

111 - 8838 Heather St. Vancouver, BC, Canada. V6P 3S8  
P: 1-804-874-4405 E: info@bllighting.com  
Copyright © BL INNOVATIVE LIGHTING. All Rights Reserved.

Solid State Lighting is sensitive to power fluctuations. Surge protection is highly recommended for all LED lighting products and should be on a dedicated circuit to protect against premature failure. Lack of surge protection may void your warranty.

Designed & Assembled in North America.

Specifications subject to change without notice. Please refer to our website at bllighting.com for current technical data.

For more information, please download the BL LIGHTING catalog

[bllighting.com](http://bllighting.com)

