

BL LED Driver O3 100W

Standard LED Driver
100W, Constant Voltage, 24VDC

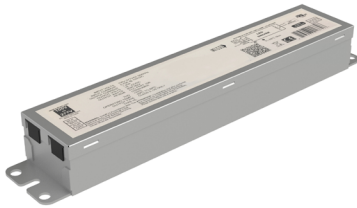


BL LED Driver O3 are Class 2, constant voltage, 24VDC LED Drivers are perfectly compatible with low-voltage, DMX or Bluetooth systems. Features include 120-277VAC input voltage and side mount tabs for ease of installation, with compact designs that are easy to fit into compatible BL CBOX and standard electrical junction boxes and enclosures.

Quick Ship

CLIENT	
PROJECT NAME	
LOCATION	
DATE	

Product Detail



Electrical	Input Voltage	120-277VAC
	Input Frequency	50-60 Hz
	Max Input Current	0.93A
	Output Voltage	24VDC, Constant Voltage
	Power	100W
	Min. Power Draw	10W
	Dimming	N/A
	Min. Dimming Level	0%
	Max. Output Current	4.1A
	Connections	18 AWG, Copper Conductors
	Start-up Time	<1000ms
	Ambient Temperature	-40°F to 124°F (-40°C to 51°C)
Mechanical	Max. Case Temperature	188°F (86.9°C)
	Circuit	Class 2
	Average Life	50,000 hours
	Housing Construction	Anodized Aluminum
	Weight	1.29lb (587g)
	Environmental	IP64

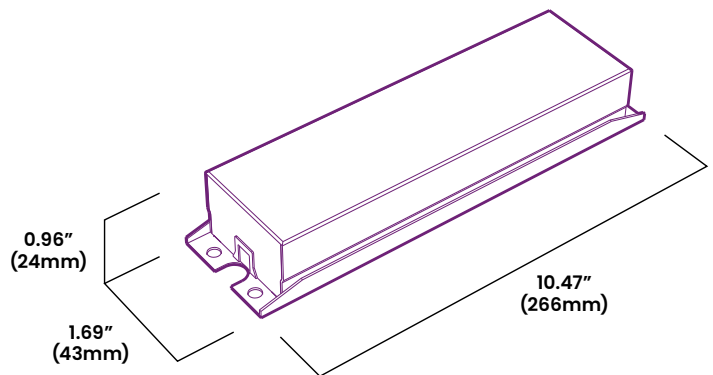


Ordering

Product Code

BL LED DRIVER-O3-100W

Dimensions



BL LIGHTING
ILLUMINATE EVERYTHING

111 - 8838 Heather St. Vancouver, BC, Canada. V6P 3S8
P: 1-804-874-4405 E: info@bllighting.com
Copyright © BL INNOVATIVE LIGHTING. All Rights Reserved.

Solid State Lighting is sensitive to power fluctuations. Surge protection is highly recommended for all LED lighting products and should be on a dedicated circuit to protect against premature failure. Lack of surge protection may void your warranty.

Designed & Assembled in North America.

Specifications subject to change without notice. Please refer to our website at bllighting.com for current technical data.

For more information, please download the BL LIGHTING catalog

bllighting.com

