

BL LED Driver COMBO J5 30W

Dimming LED Driver (Phase Cut, ELV, MLV, TRIAC and 0-10V) 30W, Constant Voltage, 24VDC



The BL LED COMBO J5 is our most versatile LED Driver, compatible with TRIAC, ELV, 0-10V, Phase Cut and MLV dimming protocols, and available in a range of sizes that can power up to 288W over 3x96W output channels. These Class 2, UL approved, constant voltage LED drivers have a universal 100-277VAC input voltage and are enclosed in a low profile housing with integrated wiring compartments, making installation easy.

Quick Ship

CLIENT	
PROJECT NAME	
LOCATION	
DATE	

Product Detail

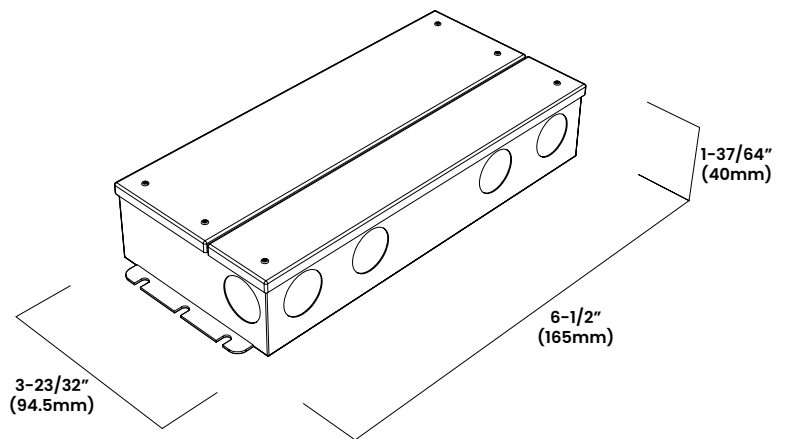


Electrical	Input Voltage	100-277VAC	
	Input Frequency	47-63 Hz	
	Max Input Current	0.5A	
	Output Voltage	24VDC, Constant Voltage	
	Power	30W	
	Min. Power Draw	3W	
	Dimming	TRIAC, ELV, MLV, Phase Cut and 0-10V	
	Min. Dimming Level	0%	
	Max. Output Current	1.25A	
	Connections	18 AWG, Copper Conductors	
Mechanical	Power Factor	0.95 - 0.99	
	Ambient Temperature	-40°F to 140°F (-40°C to 60°C)	
	Max. Case Temperature	140°F (60°C)	
	Circuit	Class 2	
	Housing Construction	Anodized Aluminum	
	Weight	2.1lb (0.95kg)	
	Environmental	IP65	

Ordering

Product Code
BL LED DRIVER-COMBO-J5-30W

Dimensions



BL LIGHTING ILLUMINATE EVERYTHING

111 - 8838 Heather St. Vancouver, BC, Canada. V6P 3S8
P: 1-804-874-4405 E: info@bllighting.com
Copyright © BL INNOVATIVE LIGHTING. All Rights Reserved.

Solid State Lighting is sensitive to power fluctuations. Surge protection is highly recommended for all LED lighting products and should be on a dedicated circuit to protect against premature failure. Lack of surge protection may void your warranty.

Designed & Assembled in North America.

Specifications subject to change without notice. Please refer to our website at bllighting.com for current technical data.

For more information, please download the BL LIGHTING catalog

bllighting.com

