

# BL LED Driver 010V J5 D96W

Dimming LED Driver (0-10V)  
2x96W, Constant Voltage, 24VDC



Featuring smooth 0-10V dimming, the BL LED Driver 010V J5 are UL Listed, Class 2, and have a universal 100-277VAC input voltage. Available in a range of sizes that can power up to 288W over 3x96W output channels, these constant voltage LED Drivers are enclosed in a low profile housing with integrated wiring compartments, making installation easy.

Quick Ship

CLIENT	
PROJECT NAME	
LOCATION	
DATE	

## Product Detail

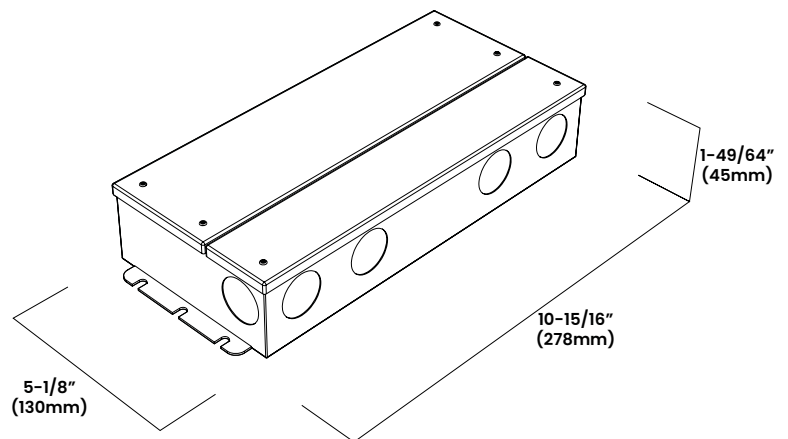


Electrical	Input Voltage	100-277VAC
	Input Frequency	47-63 Hz
	Max Input Current	2.3A
	Output Voltage	24VDC, Constant Voltage
	Power	2 x 96W
	Min. Power Draw	10W per channel
	Dimming	0-10V
	Min. Dimming Level	0%
	Max. Output Current	2 x 4.0A
	Connections	16 AWG, Copper Conductors
	Power Factor	0.94 - 0.99
	Ambient Temperature	-40°F to 140°F (-40°C to 60°C)
Mechanical	Max. Case Temperature	167°F (75°C)
	Circuit	Class 2
	Housing Construction	Anodized Aluminum
	Weight	5.1lb (2.3kg)
	Environmental	IP65

## Ordering

Product Code
BL LED DRIVER-010V-J5-D96W

## Dimensions



### BL LIGHTING ILLUMINATE EVERYTHING

111 - 8838 Heather St. Vancouver, BC, Canada. V6P 3S8  
P: 1-804-874-4405 E: info@bllighting.com  
Copyright © BL INNOVATIVE LIGHTING. All Rights Reserved.

Solid State Lighting is sensitive to power fluctuations. Surge protection is highly recommended for all LED lighting products and should be on a dedicated circuit to protect against premature failure. Lack of surge protection may void your warranty.

Designed & Assembled in North America.

Specifications subject to change without notice. Please refer to our website at [bllighting.com](http://bllighting.com) for current technical data.

For more information, please download the BL LIGHTING catalog

[bllighting.com](http://bllighting.com)

