

# BL DRIVER PRO SERIES 96W 24V

Dimming LED Driver (Phase Cut, MLV and TRIAC)  
96W, Constant Voltage, 24VDC



**BL LIGHTING**  
SINCE 1986

Compatible with Phase Cut, MLV and TRIAC dimming protocols, the BL DRIVER PRO Series are ETL Listed, Class 2 power supplies. Available in a range of configurations, these constant voltage LED Drivers are enclosed in a low profile housing with integrated wiring compartments, making installation easy.

<b>CLIENT</b>	
<b>PROJECT NAME</b>	
<b>LOCATION</b>	
<b>DATE</b>	

## Product Detail

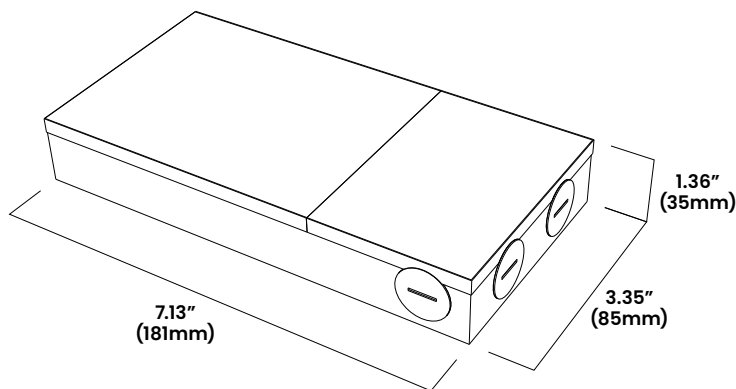


<b>Electrical</b>	Input Voltage	108-132VAC
	Max Input Current	1.5A
	Output Voltage	24VDC, Constant Voltage
	Power	96W
	Min. Power Draw	4.8W
	Dimming	Phase Cut, MLV, TRIAC
	Max. Output Current	4.0A
	Connections	18 AWG, Copper Conductors
	Power Factor	0.80
	Ambient Temperature	-4°F to 104°F (-20°C to 40°C)
<b>Mechanical</b>	Max. Case Temperature	140°F (60°C)
	Circuit	Class 2
	Housing Construction	Anodized Aluminum
	Weight	1.1lb (0.5kg)
	Environmental	IP20

## Ordering

<b>Product Code</b>
BL DRIVER PRO Series 96W 24V

## Dimensions



### BL LIGHTING ILLUMINATE EVERYTHING

111 - 8838 Heather St. Vancouver, BC, Canada. V6P 3S8  
P: 1-804-874-4405 E: info@bllighting.com  
Copyright © BL INNOVATIVE LIGHTING. All Rights Reserved.

Solid State Lighting is sensitive to power fluctuations. Surge protection is highly recommended for all LED lighting products and should be on a dedicated circuit to protect against premature failure. Lack of surge protection may void your warranty.

Designed & Assembled in North America.

Specifications subject to change without notice. Please refer to our website at [bllighting.com](http://bllighting.com) for current technical data.

For more information, please download the BL LIGHTING catalog

[bllighting.com](http://bllighting.com)

