

BL DRIVER PRO SERIES 60W 24V

Dimming LED Driver (Phase Cut, MLV and TRIAC)
60W, Constant Voltage, 24VDC



BL LIGHTING
SINCE 1986

Compatible with Phase Cut, MLV and TRIAC dimming protocols, the BL DRIVER PRO Series are ETL Listed, Class 2 power supplies. Available in a range of configurations, these constant voltage LED Drivers are enclosed in a low profile housing with integrated wiring compartments, making installation easy.

| | |
|--------------|--|
| CLIENT | |
| PROJECT NAME | |
| LOCATION | |
| DATE | |

Product Detail

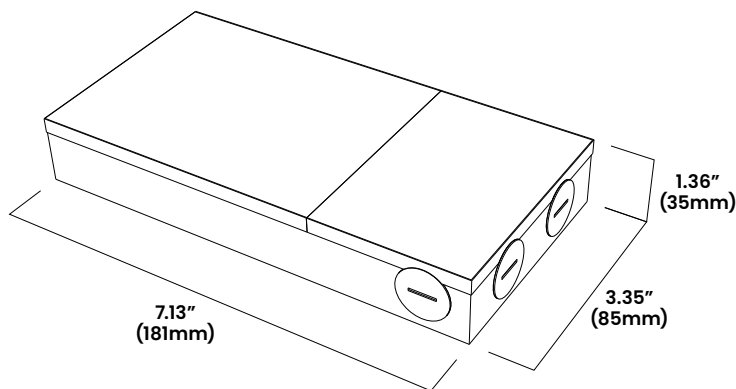


| | | |
|-------------------|-----------------------|-------------------------------|
| Electrical | Input Voltage | 108-132VAC |
| | Max Input Current | 1A |
| | Output Voltage | 24VDC, Constant Voltage |
| | Power | 60W |
| | Min. Power Draw | 3W |
| | Dimming | Phase Cut, MLV, TRIAC |
| | Max. Output Current | 2.5A |
| | Connections | 18 AWG, Copper Conductors |
| | Power Factor | 0.80 |
| | Ambient Temperature | -4°F to 104°F (-20°C to 40°C) |
| Mechanical | Max. Case Temperature | 140°F (60°C) |
| | Circuit | Class 2 |
| | Housing Construction | Anodized Aluminum |
| | Weight | 1.1lb (0.5kg) |
| | Environmental | IP20 |

Ordering

| |
|------------------------------|
| Product Code |
| BL DRIVER PRO Series 60W 24V |

Dimensions



BL LIGHTING ILLUMINATE EVERYTHING

111 - 8838 Heather St. Vancouver, BC, Canada. V6P 3S8
P: 1-604-874-4405 E: info@bllighting.com
Copyright © BL INNOVATIVE LIGHTING. All Rights Reserved.

Solid State Lighting is sensitive to power fluctuations. Surge protection is highly recommended for all LED lighting products and should be on a dedicated circuit to protect against premature failure. Lack of surge protection may void your warranty.

Designed & Assembled in North America.

Specifications subject to change without notice. Please refer to our website at bllighting.com for current technical data.

For more information, please download the BL LIGHTING catalog

bllighting.com

