

BL DRIVER PRO SERIES 60W 12V

Dimming LED Driver (Phase Cut, MLV and TRIAC)
60W, Constant Voltage, 12VDC



Compatible with Phase Cut, MLV and TRIAC dimming protocols, the BL DRIVER PRO Series are ETL Listed, Class 2 power supplies. Available in a range of configurations, these constant voltage LED Drivers are enclosed in a low profile housing with integrated wiring compartments, making installation easy.

CLIENT	
PROJECT NAME	
LOCATION	
DATE	

Product Detail

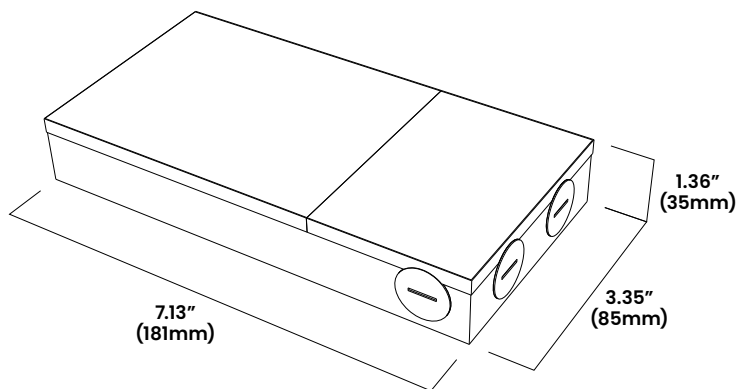


Electrical	Input Voltage	108-132VAC
	Max Input Current	1A
	Output Voltage	12VDC, Constant Voltage
	Power	60W
	Min. Power Draw	3W
	Dimming	Phase Cut, MLV, TRIAC
	Max. Output Current	5A
	Connections	18 AWG, Copper Conductors
	Power Factor	0.80
	Ambient Temperature	-4°F to 104°F (-20°C to 40°C)
Mechanical	Max. Case Temperature	140°F (60°C)
	Circuit	Class 2
	Housing Construction	Anodized Aluminum
	Weight	1.1lb (0.5kg)
	Environmental	IP20

Ordering

Product Code
BL DRIVER PRO Series 60W 12V

Dimensions



BL LIGHTING ILLUMINATE EVERYTHING

111 - 8838 Heather St. Vancouver, BC, Canada. V6P 3S8
P: 1-604-874-4405 E: info@bllighting.com
Copyright © BL INNOVATIVE LIGHTING. All Rights Reserved.

Solid State Lighting is sensitive to power fluctuations. Surge protection is highly recommended for all LED lighting products and should be on a dedicated circuit to protect against premature failure. Lack of surge protection may void your warranty.

Designed & Assembled in North America.

Specifications subject to change without notice. Please refer to our website at bllighting.com for current technical data.

For more information, please download the BL LIGHTING catalog

bllighting.com

