

BL CBOX 10V AE10010BM

Fully Assembled Control + Power Boxes
Single Circuit, 100W, 24VDC, CV, 0-10V

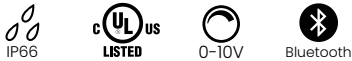
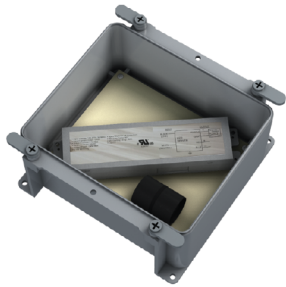


The BL CBOX Series are completely integrated, highly-customizable, fully cULus Listed Class 2 power and control boxes rated for Dry and Wet Locations. All CBOX Series arrive to site assembled and ready for quick wiring and install. All required components included. The 10V Series are configurable 0-10V enabled control and power boxes. Integrate up to 200W through multiple Class 2 circuits.

Quick Installation -22°F to 140°F (-30°C to 60°C)

CLIENT	
PROJECT NAME	
LOCATION	
DATE	

Product Detail

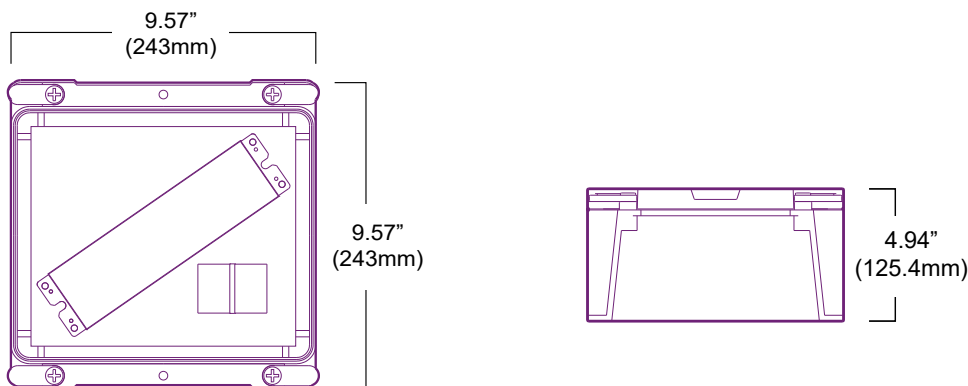


Electrical	Controls	0-10V
	Input Voltage	120V - 277VAC
	Input Frequency	60Hz
	Max Input Current	2A
	Output Voltage	24VDC, 4.1A, Constant Voltage
	Load	100W
	Connections	18AWG, Copper Conductors
	Min Load	20% - 25%
	Power Factor	0.9
	Circuit	Class 2
Mechanical	Housing Construction	PVC, High Temperature Flame-Proof Plastic
	Assembly	PVC Enclosure, LED Driver, DMX RDM Decoder, 5CH, Carbon Steel Back-Plate, Surge Protector, Strain Relief (Set), Electrical Connectors (Set)
Environmental	Operating Temperature	-22°F to 140°F (-30°C to 60°C)
	Ingress Protection	IP66, NEMA 1, 2, 3R, 4, 4X, 6, 6P, 12, 13
	Certificate	UL2108, UL 1598/CSA, 250.0, UL 8750, CSA 250.13

Ordering

Product Code
BL CBOX 10V AE10010BM

Dimensions



* Stainless steel and composite mounting options are also available.

BL LIGHTING ILLUMINATE EVERYTHING

111 - 8838 Heather St. Vancouver, BC, Canada. V6P 3S8
P: 1-804-874-4405 E: info@bllighting.com
Copyright © BL INNOVATIVE LIGHTING. All Rights Reserved.

Solid State Lighting is sensitive to power fluctuations. Surge protection is highly recommended for all LED lighting products and should be on a dedicated circuit to protect against premature failure. Lack of surge protection may void your warranty.

Designed & Assembled in North America.

Specifications subject to change without notice. Please refer to our website at bllighting.com for current technical data.

For more information, please download the BL LIGHTING catalog

bllighting.com

