

Aqua Starfield transforms pools and water features with an eye-catching starry sky illusion glimmering from under the water. Safely utilizing heat-free and non-current bearing micro diameter BL fiberOPTICS to transmit light from a remote BL Fibersource Illuminator, fibers are embedded into the pool floor, with light emitting from the fiber tips. Enhance your pool design with a custom star pattern using randomly placed star points, or add shooting stars, full constellations and even custom shapes or logos to add impact and interest to swimming pools, spas, reflecting ponds and water features.

<b>CLIENT</b>	
<b>PROJECT NAME</b>	
<b>LOCATION</b>	
<b>DATE</b>	

### Product Detail

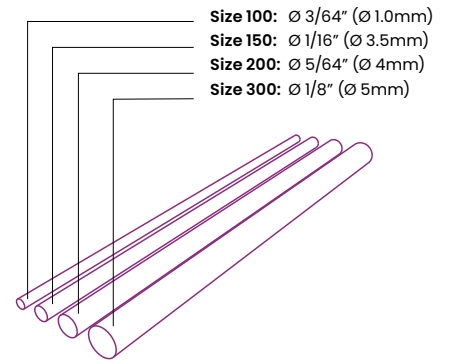


<b>Lighting</b>	<b>Internal Fiber Diameters</b>	100 - (3/64" - 1.0 mm)
		150 - (1/16" - 1.5 mm)
		200 - (5/64" - 2.0 mm)
		300 - (1/8" - 3mm)
	<b>Acceptance Angle</b>	45°
	<b>Output Angle</b>	60° Half Angle
	<b>Attenuation</b>	0.2 dB/m (0.06 dB/ft)
	<b>Avg Life</b>	15 Years
	<b>Spectral Transmission</b>	380 - 750 nm Visible Spectrum
	<b>Range Refractive Index</b>	1.49
	<b>Numerical Aperture</b>	0.65
<b>Accessories</b>	<b>Mounting</b>	BL fiberOPTIC AQ ST FS3850 BI
	<b>Material</b>	PMMA
	<b>Cladding</b>	HFFR
<b>Mechanical</b>	<b>Operating Temperature</b>	-40°F to 158°F (-40°C to 70°C)
	<b>Environmental</b>	IP68
	<b>Bend Radius</b>	8X Diameter Size

### Ordering

Product Code	Series	Fiber Size	Bundle Size	Tail Lengths	IP Rating
AQSF	FO				IP68
		100 (3/64" - 1.0 mm)		20FT	
		150 (1/16" - 1.5 mm)		30FT	
		200 (5/64" - 2.0 mm)		40FT	
		300 (1/8" - 3mm)		50FT	

### Dimensions



#### Maximum Fiber Quantity per Bundle:\*

- Size 100: 300 fiber cables
- Size 150: 200 fiber cables
- Size 200: 140 fiber cables
- Size 300: 65 fiber cables

\*Custom bundles available, contact us for more details.

#### Part#

**BL Fiberoptic AQ ST FS3850 BI**

