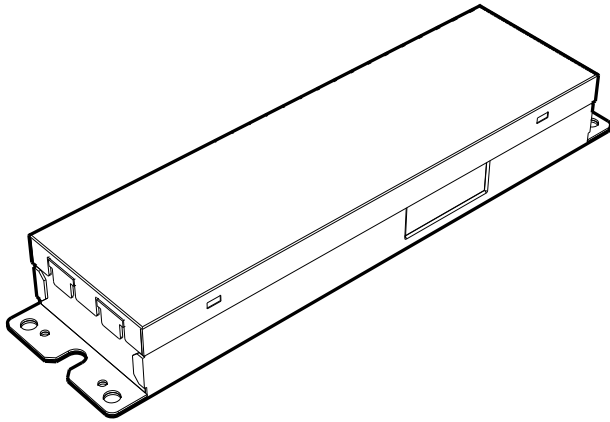


**AC100**



**MAIN POWER SUPPLY INPUT**

**0-10V Dimmer input**

