

# AE 010V 100W

BL Power

Dimming LED Driver (0-10V)  
100W, 24VAC Constant Voltage



The AE 10V are durable, steel constructed LED Drivers with built-in 0-10V dimming capability. Available in 100W output, Class 2 maximum load for 24VDC circuits and featuring a 120-277VAC variable input voltage. The compact design is easy to fit into a compatible BL ENC Enclosure.

CLIENT	
PROJECT NAME	
LOCATION	
DATE	

Quick Ship

## Product Detail



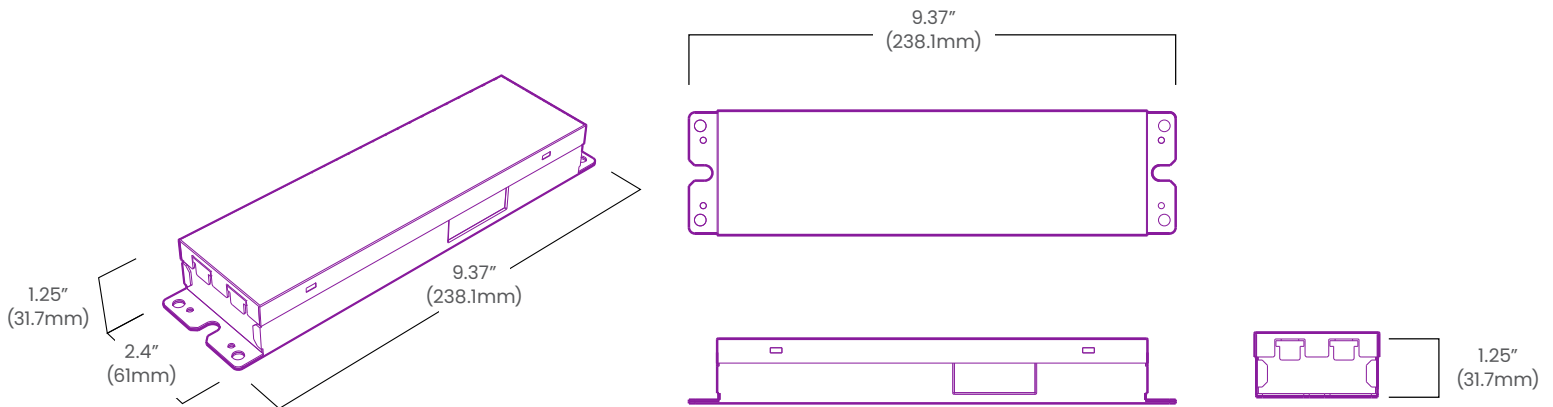
<b>Electrical</b>	Input Voltage	120V - 277VAC
	Input Frequency	50/60Hz
	Max Input Current	120VAC - 0.98A, 277VAC - 0.42A
	Output Voltage	24VDC, 4.1A, Constant Voltage
	Load	100W
	Dimming	0-10V
	Max Current	4A
	Connections	18AWG, Copper Conductors
<b>Mechanical</b>	Circuit	Class 2
	Housing Construction	Metal
	Weight	898g (1.98lb)
<b>Environmental</b>	Operating Temperature	-4°F to 104°F (-20°C to 40°C)
	Ingress Protection	IP20
	Certificate	UL



## Ordering

Product Code	Series	Power	Output	Input Voltage	IP Rating
AE10	P	100W	24	UNI	IP20

## Dimensions



### BL LIGHTING ILLUMINATE EVERYTHING

111 - 8838 Heather St. Vancouver, BC, Canada. V6P 3S8  
P: 1-804-874-4405 E: info@bllighting.com  
Copyright © BL INNOVATIVE LIGHTING. All Rights Reserved.

Solid State Lighting is sensitive to power fluctuations. Surge protection is highly recommended for all LED lighting products and should be on a dedicated circuit to protect against premature failure. Lack of surge protection may void your warranty.

Designed & Assembled in North America.

Specifications subject to change without notice. Please refer to our website at [bllighting.com](http://bllighting.com) for current technical data.

For more information, please download the BL LIGHTING catalog

[bllighting.com](http://bllighting.com)

