



Please note that these instructions are guidelines only and in no way supersede any construction or installation standards. Local building and electrical codes should be consulted before installation.

ATTENTION

- There is potential danger of electrical shock when operating electrical components.
- Make sure power is turned off before installation.
- Allow for heat dissipation and adequate ventilation.

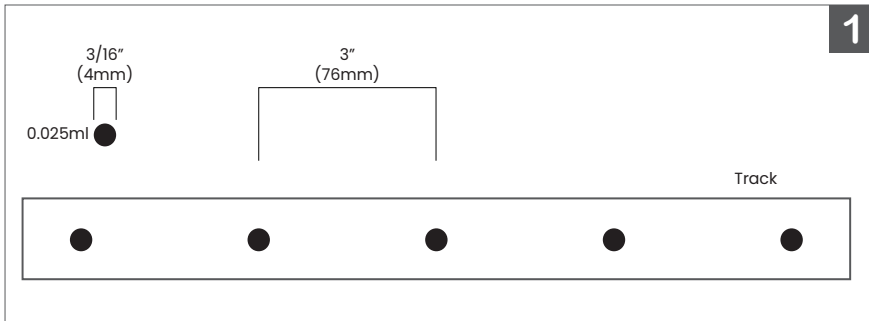
ADH406 is a fast dry cyanoacrylate instant adhesive glue that may set in as little as **15minutes**, and will dry out quickly once opened.

Product should be allowed adequate cure time to develop a full strength bond before subjecting to any service loads, typically **24-72 hours** after assembly, depending on bond gap, materials, and ambient conditions.

Contact info@bllighting.com for complete TDS.

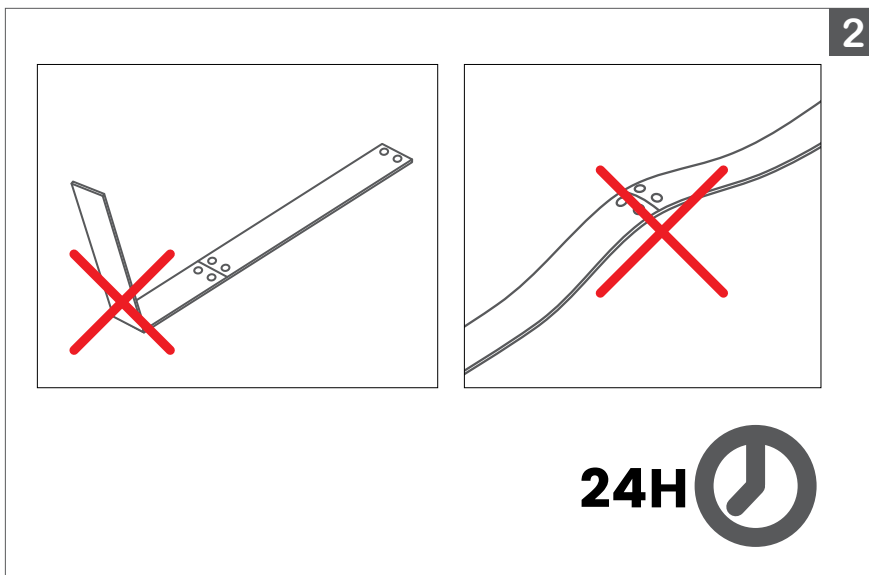
Avoid contact with eyes, skin and clothing. Avoid breathing in vapors or mists of this product. Wash thoroughly after handling, and wear personal protective equipment when working with this product.

Bond areas should be clean and free from grease.



1

1. Place a small dab (0.025ml) of adhesive onto the inside ridge of the BL Fixform base track channel at 3" intervals.



2

2. Secure BL Flexform LED TAPE gently along the length, without bending or pulling up.

Bonds should be held in place until adhesive has fixtured.

Masking tape may be used along the length of the LED for this purpose.

IMPORTANT:

Confirm correct BL Flexform LED TAPE position prior to applying the adhesive.

