

3 Side V Tunable

BL Neonview

Diffused, Flexible, Linear LED Lighting,
24VDC, Constant Voltage, Vertical Bend,
3 Sided Light, Silicone, Tunable White



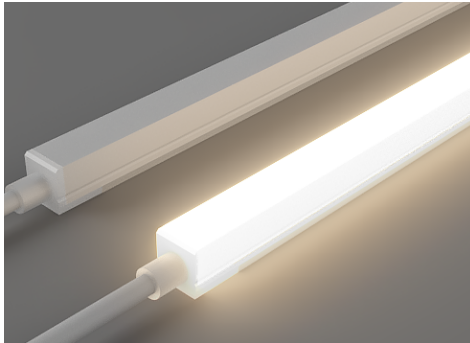
Emitting light from 3S surfaces of its square shaped profile, 3 Side V Tunable delivers the widest beam angle of any surface mounted linear LED and is the optimum choice for high visibility, direct view applications where a large illumination range is desired, such as building outlines, artworks, straight and curved surface edges. The Silicone encapsulated diffuser is rated for a range of operating temperatures from -40° F to 131° F (-40° C to 55° C) for sustained ability to weather the elements, even in the most extreme environmental conditions, and bends vertically across the top of the light.

CLIENT	
PROJECT NAME	
LOCATION	
DATE	

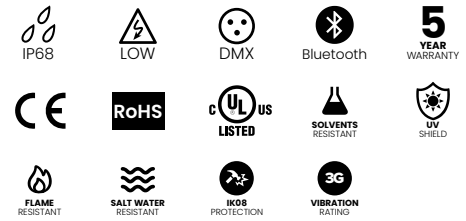
Dot-free Seamless connections -40°F to 131°F (-40°C to 55°C)

3 Sided Light Tunable White

Product Detail



Lighting	Lamp	LED, SMD 3015
	LED's Per Foot	44 LEDs/ft (144 LEDs/m)
	Beam Angle	270°
Electrical	Average Life	50,000 Hours
	Controls	DMX, Bluetooth
	Input Voltage	24VDC
	Max Input Current	4.12A (White)
	Connections	18AWG, Copper Conductors
	Power Cable Length	Standard 10ft (3m). Also available in 16ft (5m) and 32ft (10m)
Mechanical	Circuit	Class 2
	Housing Construction	Injection Moulded White Silicone
	Minimum Bend Radius	5.9" (150mm)
Environmental	Operating Temperature	-40°F to 131°F (-40°C to 55°C)
	Ingress Protection	IP68
	Impact Protection	IK08
	Vibration Rating	3G
	Resistance	UV, Flame, Solvents and Saltwater Resistant
	Certifications	cULus, CE, RoHS Compliant



Performance

CCT/Color		2200K	5700K	2200K + 5700K
Power	W/FT (W/m)	-		3.66 (12)
Lumens	lm/FT (lm/m)	107 (350)	122 (400)	229 (75i)
Efficacy	lm/W	-	-	63
CRI	CRI	80		
Increment	inch (mm)	3.28 (83.3)		
Max. Length	ft (m)	24ft 6in (7.5m)		

Ordering

Product Code	Series	CCT	Input Voltage	IP Rating
3SVTN	N	2200K-5700K	24	IP68

Note:
Lengths, Lead Orientations & Mounting Accessories for Neonview must be confirmed at time of order.

BL LIGHTING
ILLUMINATE EVERYTHING

111 - 8838 Heather St. Vancouver, BC, Canada. V6P 3S8
P: 1-804-874-4405 E: info@bllighting.com
Copyright © BL INNOVATIVE LIGHTING. All Rights Reserved.

Solid State Lighting is sensitive to power fluctuations. Surge protection is highly recommended for all LED lighting products and should be on a dedicated circuit to protect against premature failure. Lack of surge protection may void your warranty.

Designed & Assembled in North America.

Specifications subject to change without notice. Please refer to our website at bllighting.com for current technical data.

For more information, please download the BL LIGHTING catalog

bllighting.com



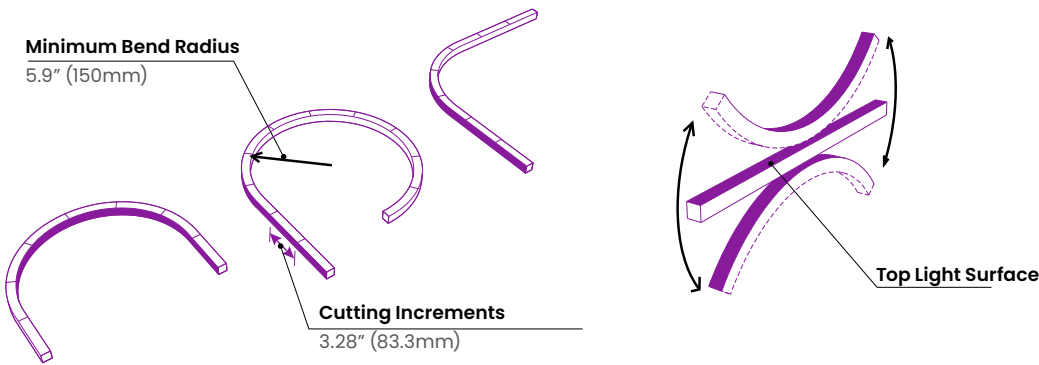
3 Side V Tunable

BL Neonview

Diffused, Flexible, Linear LED Lighting,
24VDC, Constant Voltage, Vertical Bend,
3 Sided Light, Silicone, Tunable White

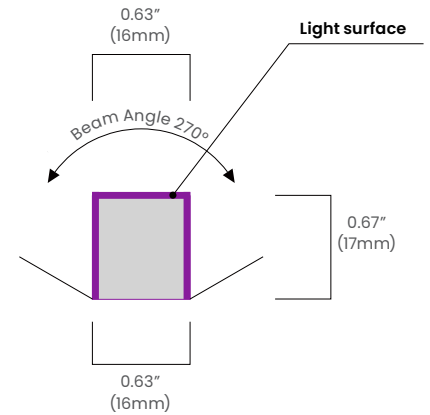


Minimum Bend Radius and Bend Orientation



BL Neonview Side 3S Series bends vertically

Beam Angle & Viewing Angle

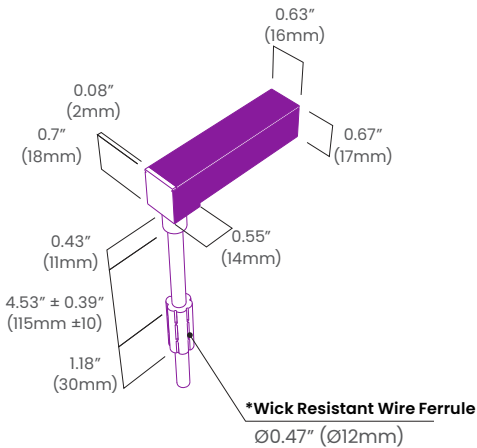


Average Beam Angle (50%): 272.0°

Dimensions & Lead Orientations

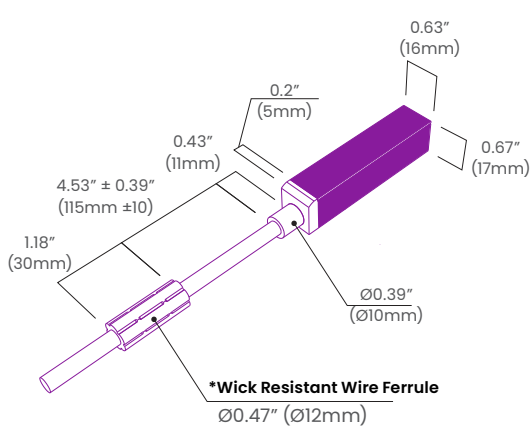
Back Lead

NVS 3SL BC 68

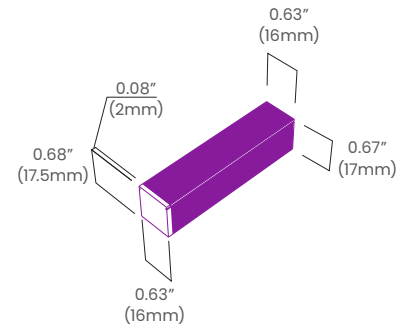


End Lead

NVS 3SL EC 68



End Cap



*The Wick Resistant Wire Ferrule is built into the lead wire, 4.5" (115mm) from the BL Neonview Termination Connection, for additional moisture ingress protection. Removal of the Wick Resistant Wire Ferrule may void your warranty.

BL LIGHTING
ILLUMINATE EVERYTHING

111 - 8838 Heather St. Vancouver, BC, Canada. V6P 3S8
P: 1-804-874-4405 E: info@bllighting.com
Copyright © BL INNOVATIVE LIGHTING. All Rights Reserved.

Solid State Lighting is sensitive to power fluctuations. Surge protection is highly recommended for all LED lighting products and should be on a dedicated circuit to protect against premature failure. Lack of surge protection may void your warranty.

Designed & Assembled in North America.

Specifications subject to change without notice. Please refer to our website at bllighting.com for current technical data.

For more information, please download the BL LIGHTING catalog

bllighting.com



3 Side V Tunable

BL Neonview

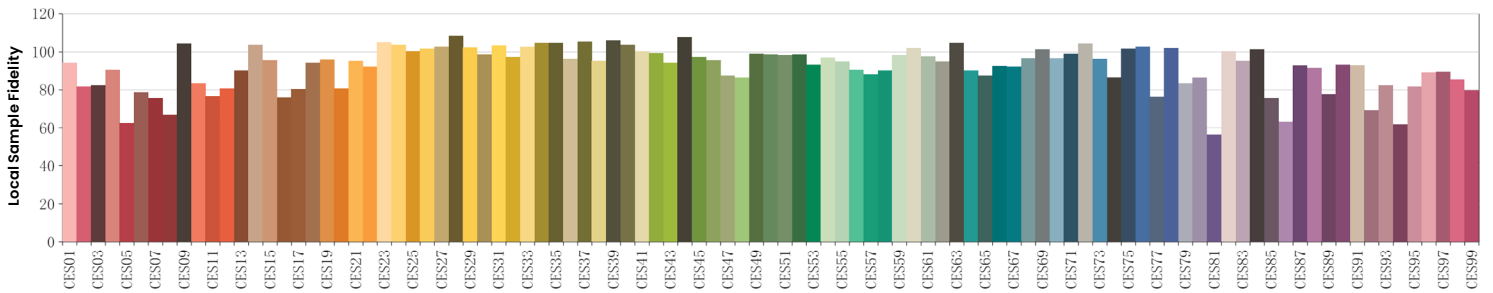
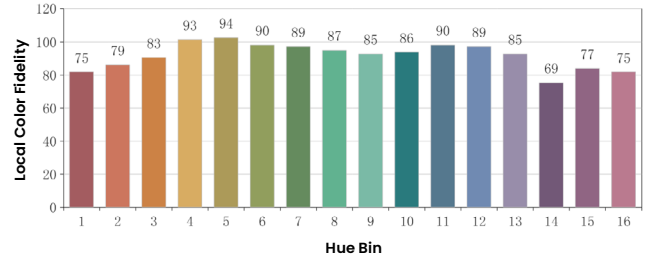
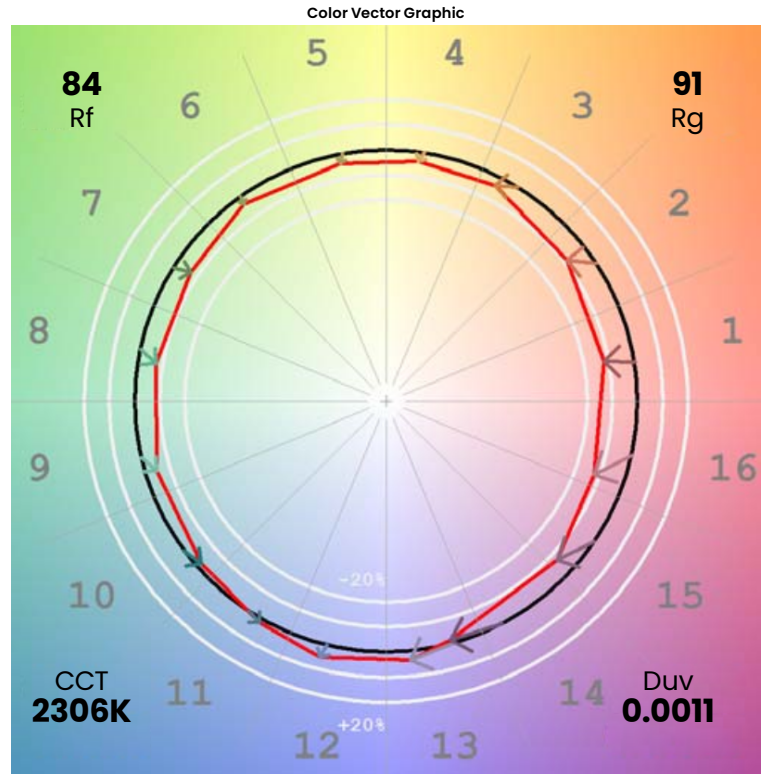
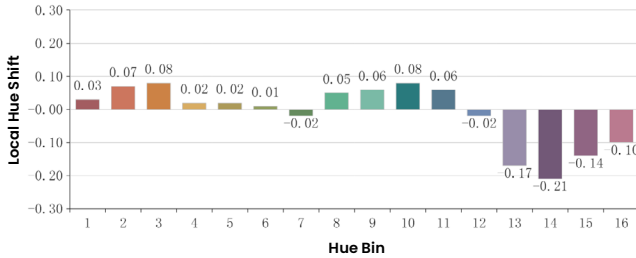
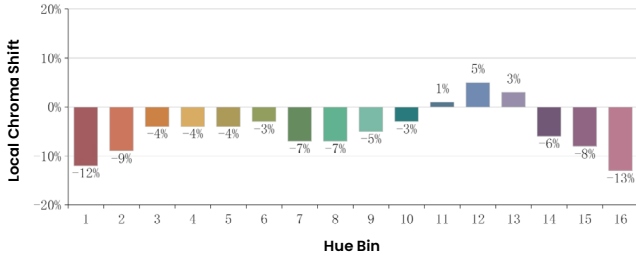
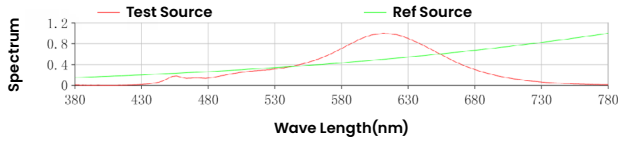
Diffused, Flexible, Linear LED Lighting,
24VDC, Constant Voltage, Vertical Bend,
3 Sided Light, Silicone, Tunable White



Colorimetric Details (2200K LED)

CCT	CRI	Rf	Rg
2200K	82	84	93

Rf: 84 CCT: 2306K u': 0.2831
Rg: 91 Duv: 0.0011 v': 0.5361



*All results in accordance with ANSI C78.377 standard

BL LIGHTING ILLUMINATE EVERYTHING

111 - 8838 Heather St. Vancouver, BC, Canada. V6P 3S8
P: 1-804-874-4405 E: info@bllighting.com
Copyright © BL INNOVATIVE LIGHTING. All Rights Reserved.

Solid State Lighting is sensitive to power fluctuations. Surge protection is highly recommended for all LED lighting products and should be on a dedicated circuit to protect against premature failure. Lack of surge protection may void your warranty.

Designed & Assembled in North America.

Specifications subject to change without notice. Please refer to our website at bllighting.com for current technical data.

For more information, please download the BL LIGHTING catalog



bllighting.com