

3 Side V

BL Neonview

Diffused, Flexible, Linear LED Lighting,
24VDC, Constant Voltage, Vertical Bend,
3 Sided Light, Silicone, Single Color

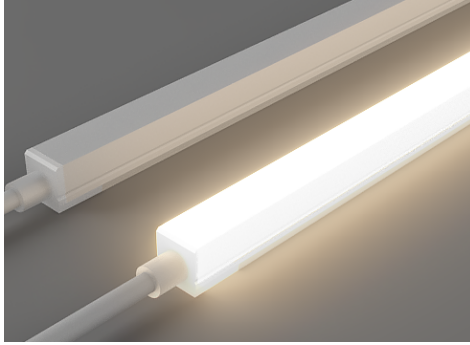


Emitting light from 3S surfaces of its square shaped profile, 3 Side V delivers the widest beam angle of any surface mounted linear LED and is the optimum choice for high visibility, direct view applications where a large illumination range is desired, such as building outlines, artworks, straight and curved surface edges. The Silicone encapsulated diffuser is rated for a range of operating temperatures from -40° F to 131° F (-40° C to 55° C) for sustained ability to weather the elements, even in the most extreme environmental conditions, and bends vertically across the top of the light.

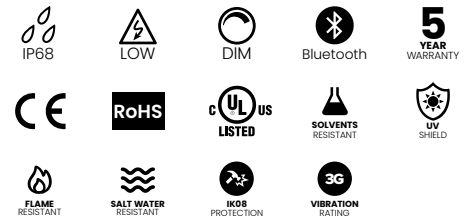
Dot-free | **Seamless connections** | **-40°F to 131°F (-40°C to 55°C)** | **3 Sided Light**

CLIENT	
PROJECT NAME	
LOCATION	
DATE	

Product Detail



Lighting	Lamp	LED, SMD 2835
	LED's Per Foot	38 LEDs/ft (126 LEDs/m)
	Beam Angle	270°
	Average Life	50,000 Hours
Electrical	Controls	0-10V, MLV, ELV, Phase-Cut, Triac, DMX, Bluetooth
	Input Voltage	24VDC
	Max Input Current	4.12A (White)
	Connections	18AWG, Copper Conductors
	Power Cable Length	Standard 10ft (3m). Also available in 16ft (5m) and 32ft (10m)
Mechanical	Housing Construction	Injection Moulded White Silicone
	Minimum Bend Radius	5.9" (150mm)
	Operating Temperature	-40°F to 131°F (-40°C to 55°C)
Environmental	Ingress Protection	IP68
	Impact Protection	IK08
	Vibration Rating	3G
	Resistance	UV, Flame, Solvents and Saltwater Resistant
	Certifications	cULus, CE, RoHS Compliant



Performance

CCT/Color		2200K	2700K	3000K	3500K	4000K	5700K
Power	W/FT (W/m)	3.66 (12)					
Lumens	lm/FT (lm/m)	259 (850)	320 (1050)	335 (1100)	335 (1100)	335 (1100)	335 (1100)
Efficacy	lm/W	71	87	92	92	92	92
CRI	CRI	80					
Increment	inch (mm)	2.19 (55.6)					
Max. Length	ft (m)	24ft 6in (7.5m)					

Ordering

Product Code	Series	CCT/Color	Input Voltage	IP Rating
3SV	N		24	IP68
		2200K		
		2700K		
		3000K		
		3500K		
		4000K		
		5700K		

Note:
Lengths, Lead Orientations & Mounting Accessories for Neonview must be confirmed at time of order.

BL LIGHTING
ILLUMINATE EVERYTHING

111 - 8838 Heather St. Vancouver, BC, Canada. V6P 3S8
P: 1-804-874-4405 E: info@bllighting.com
Copyright © BL INNOVATIVE LIGHTING. All Rights Reserved.

Solid State Lighting is sensitive to power fluctuations. Surge protection is highly recommended for all LED lighting products and should be on a dedicated circuit to protect against premature failure. Lack of surge protection may void your warranty.

Designed & Assembled in North America.

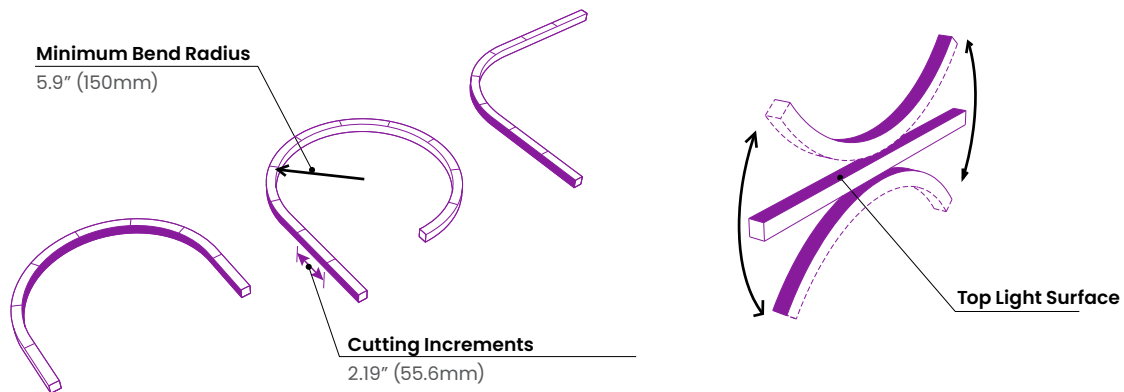
Specifications subject to change without notice. Please refer to our website at bllighting.com for current technical data.

For more information, please download the BL LIGHTING catalog

bllighting.com



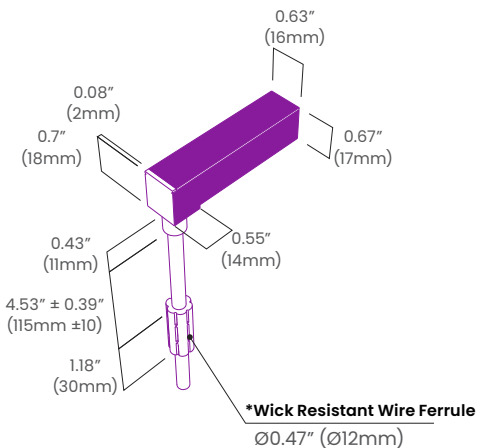
Minimum Bend Radius and Bend Orientation



Dimensions & Lead Orientations

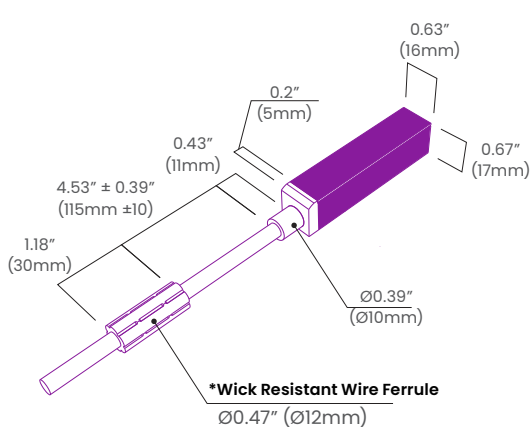
Back Lead

NVS 3SL BC 68

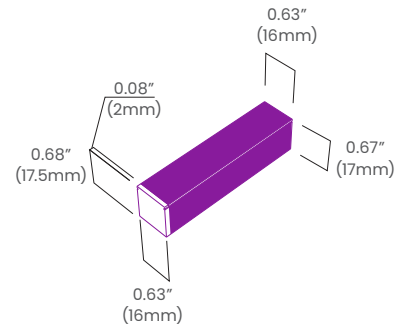


End Lead

NVS 3SL EC 68

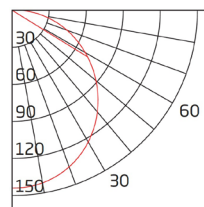
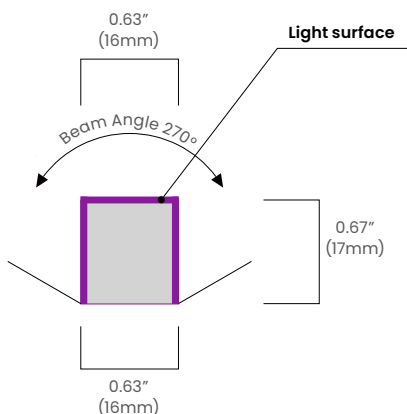


End Cap



*The Wick Resistant Wire Ferrule is built into the lead wire, 4.5" (115mm) from the BL Neonview Termination Connection, for additional moisture ingress protection. Removal of the Wick Resistant Wire Ferrule may void your warranty.

Beam Angle



Unit: cd
— C90/270

Average Beam Angle (50%): 272.0°

