

3 Side Select V RGBW

BL Select Neon

Diffused, Flexible, Linear LED Lighting,
24VDC, Constant Voltage, Vertical Bend,
3 Sided Light, Silicone, Color Changing



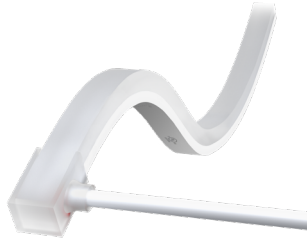
Emitting light from 3side surfaces of its square-shaped profile, **3 Side Select V RGBW** delivers uniform illumination and vibrant RGBW effects, making it ideal for high-visibility, direct-view applications such as facades, contour lighting, retail accents, and decorative features. Its vertical bending structure allows installation along curved or linear surfaces, while the IP68 rated silicone housing and 24V system ensure reliable performance and color consistency over extended runs, withstanding temperatures from -40°F to 131°F (-40°C to 55°C) for long-term outdoor and indoor durability.

Dot-free Seamless connections -40°F to 131°F (-40°C to 55°C)

3 Sided Light Color Changing

CLIENT	
PROJECT NAME	
LOCATION	
DATE	

Product Detail



Lighting	Lamp	LED, SMD 5050
	LED's Per Foot	22 LEDs/ft (72 LEDs/m)
	Beam Angle	210°
	Average Life	50,000 Hours
	CCT Binning	One Step Binning
Electrical	Controls	DMX, Bluetooth
	Input Voltage	24VDC
	Max Input Current	4.12A
	Connections	5x20AWG Wires
	Power Cable Length	Standard 10ft (3m). Also available in 16ft (5m)
Mechanical	Circuit	Class 2
	Housing Construction	Injection Moulded White Silicone
	Mounting	Mounting Clips, Mounting Channels
	Weight	0.31 lb/ft, 0.46kg/m
	Dimensions	W: 0.65" x H: 0.65" (W: 16.5mm x H: 16.5mm)
Environmental	Minimum Bend Radius	2.36" (60mm)
	Operating Temperature	-40°F to 131°F (-40°C to 55°C)
	Ingress Protection	IP68
	Impact Protection	IK08
	Resistance	UV, Flame, Solvents, Saltwater and Dirt Resistant
Certifications	cULus, CE, RoHS Compliant, CB	

Performance

CCT/Color		Red	Green	Blue	RGBW(2700K)	RGBW(3000K)	RGBW(4000K)	RGBW(5000K)
Power	W/FT (W/m)		-		5.18(17)			
Lumens	lm/FT (lm/m)	19.5(64)	82(269)	15.9(52)	137(449)	137(449)	137(449)	137(449)
Efficacy	lm/W		-		26			
Increment	inch (mm)		-		3.94"(100mm)			
Max. Length	ft (m)		-		18.7ft (5.7m)			

Ordering

Product Code	Series	Color	Input Voltage	IP Rating
3SVC	SEN		24	IP68
		RGBW(2700K)		
		RGBW(3000K)		
		RGBW(4000K)		
		RGBW(5000K)		

Note:
Lengths, Lead Orientations & Mounting Accessories for BL Select Neon must be confirmed at time of order.

BL LIGHTING
ILLUMINATE EVERYTHING

111 - 8838 Heather St. Vancouver, BC, Canada. V6P 3S8
P: 1-804-874-4405 E: info@bllighting.com
Copyright © BL INNOVATIVE LIGHTING. All Rights Reserved.

Solid State Lighting is sensitive to power fluctuations. Surge protection is highly recommended for all LED lighting products and should be on a dedicated circuit to protect against premature failure. Lack of surge protection may void your warranty.

Designed & Assembled in North America.

Specifications subject to change without notice. Please refer to our website at bllighting.com for current technical data.

For more information, please download the BL LIGHTING catalog

bllighting.com



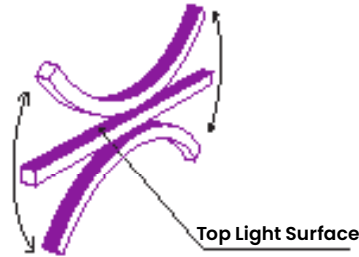
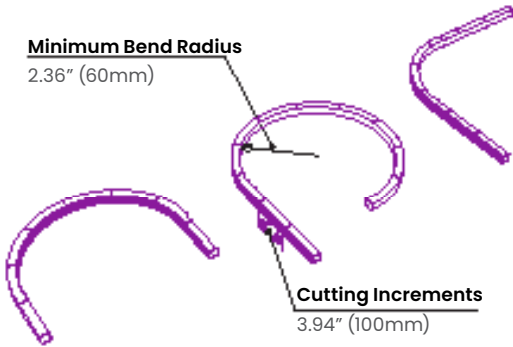
3 Side Select V RGBW

BL Select Neon

Diffused, Flexible, Linear LED Lighting,
24VDC, Constant Voltage, Vertical Bend,
3 Sided Light, Silicone, Color Changing

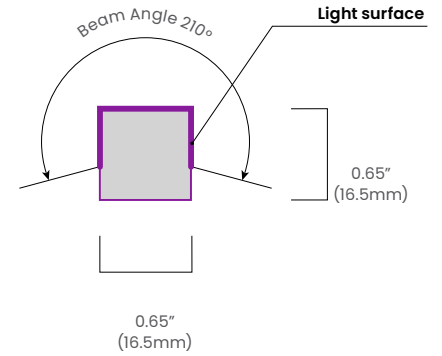


Minimum Bend Radius and Bend Orientation



BL Select Neon 3 Side Series bends vertically

Beam Angle

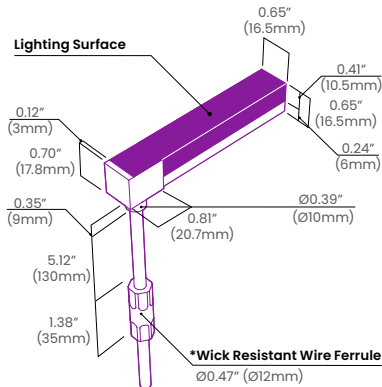


Average Beam Angle (50%), 3000K: 154.7°

Dimensions & Lead Orientations

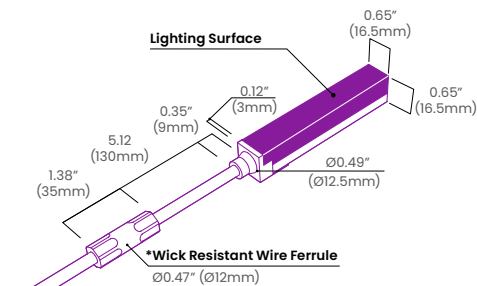
Back Lead

SEN 3SL BC 68



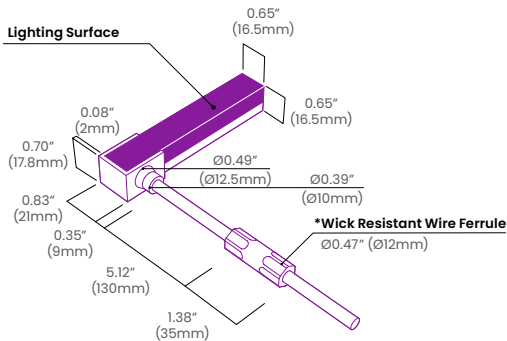
End Lead

SEN 3SL EC 68

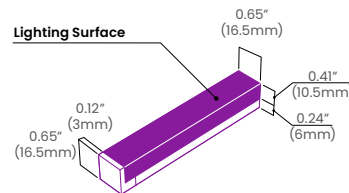


Right Side Lead

SEN 3SL RC 68



End Cap



*The Wick Resistant Wire Ferrule is built into the lead wire, 5.12"(130mm) from the BL Select Neon Series Termination Connection, for additional moisture ingress protection. Removal of the Wick Resistant Wire Ferrule may void your warranty.

BL LIGHTING
ILLUMINATE EVERYTHING

111 - 8838 Heather St. Vancouver, BC, Canada. V6P 3S8
P: 1-804-874-4405 E: info@bllighting.com
Copyright © BL INNOVATIVE LIGHTING. All Rights Reserved.

Solid State Lighting is sensitive to power fluctuations. Surge protection is highly recommended for all LED lighting products and should be on a dedicated circuit to protect against premature failure. Lack of surge protection may void your warranty.

Designed & Assembled in North America.

Specifications subject to change without notice. Please refer to our website at bllighting.com for current technical data.

For more information, please download the BL LIGHTING catalog

bllighting.com

