

BL neonVIEW

Diffused, Flexible, Linear LED Lighting,
Side Emitting, 24VDC, Constant Voltage

SIDE SI SC L2

Side Light, Silicone, Single Color,
High Output

Printed



Certification



Lighting



Lamp	LED, SMD 5050
# of LEDs	33/FT (108/m)
Power	4.57 W/FT
Beam Angle	120°
Average Life	50,000 Hours
Lumens	246 lm/FT (4000K)
Efficacy	54 lm/W (4000K)

Electrical

Control	0-10V, MLV, ELV, Phase-Cut, Triac, DMX, Bluetooth
Input Voltage	24VDC
Max Input Current	4.12A
Connections	18AWG, Copper Conductors
Operating Temperature	-40°F to 131°F (-40°C to 55°C)
Circuit	Class 2

Mechanical

Housing Construction	Injection Moulded Silicone
Cutting Increments	2.19" (5.56cm)
Maximum Run Length	20' (6M)
Medial Bend Radius	5.90" (150mm), Vertical Bend
Environmental	IP68 Seamless Injection
Mounting	Clip, Track

Accessories

NVSTK	** Factory installed termination kit
NVSJC	Factory installed jumper cable
NVSCP	Surface Mounting Clip
NVSMCH	Surface Mounting Channel
NVSRMC	Recessed Mounting Clip
NVSRMCH	Recessed Mounting Channel

**Multiple Lead Orientation options available

PROJECT

CLIENT

TYPE

Solid State Lighting is sensitive to power fluctuations
Surge protection is highly recommended for all LED lighting products and should be on a designated circuit to protect against premature failure
Lack of surge protection may void your warranty

For more information, please download the
BL LIGHTING catalogue

BL LIGHTING. ILLUMINATE EVERYTHING

111 - 8838 Heather St. Vancouver, BC, Canada. V6P 3S8
P: 1-604-874-4405 E: info@bllighting.com
Copyright © BL INNOVATIVE LIGHTING. All Rights Reserved.

bllighting.com



BL neonVIEW

Diffused, Flexible, Linear LED Lighting,
Side Emitting, 24VDC, Constant Voltage

SIDE SI SC L2

Side Light, Silicone, Single Color,
High Output

Printed

Performance

CCT/Color	Load	Lumens	Efficacy	Max. Length	Cutting Increments
2200K	4.57 W/FT	205 lm/FT	45 lm/W	20 ft 0 in	2.19 in (55.6mm)
2700K	4.57 W/FT	236 lm/FT	52 lm/W	20 ft 0 in	2.19 in (55.6mm)
3000K	4.57 W/FT	244 lm/FT	53 lm/W	20 ft 0 in	2.19 in (55.6mm)
3500K	4.57 W/FT	244 lm/FT	53 lm/W	20 ft 0 in	2.19 in (55.6mm)
4000K	4.57 W/FT	246 lm/FT	54 lm/W	20 ft 0 in	2.19 in (55.6mm)
5700K	4.57 W/FT	247 lm/FT	54 lm/W	20 ft 0 in	2.19 in (55.6mm)

Ordering

Product Name

BL neonVIEW SIDE SI SC L2

CCT/Color

22 = 2200K
27 = 2700K
30 = 3000K
35 = 3500K
40 = 4000K
57 = 5700K

Lead Orientation

NVSTKBC = Back Lead
NVSTKEC = End Lead
NVSTKRSC = Right Side Lead
NVSTKLSC = Left Side Lead

Mounting Accessories

NVSCP = Mounting Clip
NVSMCH = Mounting Channel
NVSVMC = Recessed Mounting Clip
NVSVMCH = Recessed Mounting Channel

PROJECT

CLIENT

TYPE

Solid State Lighting is sensitive to power fluctuations
Surge protection is highly recommended for all LED lighting products and should be on a designated circuit to protect against premature failure
Lack of surge protection may void your warranty

For more information, please download the
BL LIGHTING catalogue

BL LIGHTING. ILLUMINATE EVERYTHING

111 - 8838 Heather St. Vancouver, BC, Canada. V6P 3S8
P: 1-604-874-4405 E: info@bllighting.com
Copyright © BL INNOVATIVE LIGHTING. All Rights Reserved.

bllighting.com



BL neonVIEW

Diffused, Flexible, Linear LED Lighting,
Side Emitting, 24VDC, Constant Voltage

SIDE SI SC L2

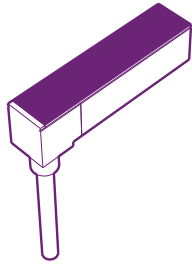
Side Light, Silicone, Single Color,
High Output

Printed

Lead Orientation

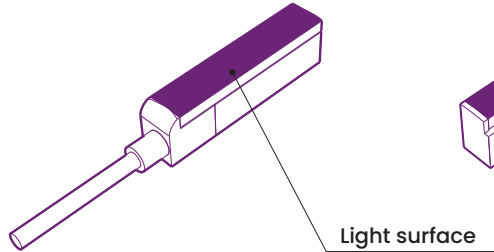
Back Lead

Part# NVSTK68SMBC



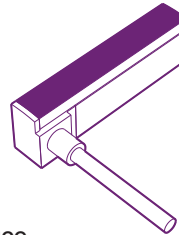
End Lead

Part# NVSTK68SMEC



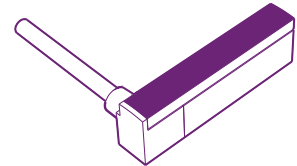
Right Side Lead

Part# NVSTK68SMRSC

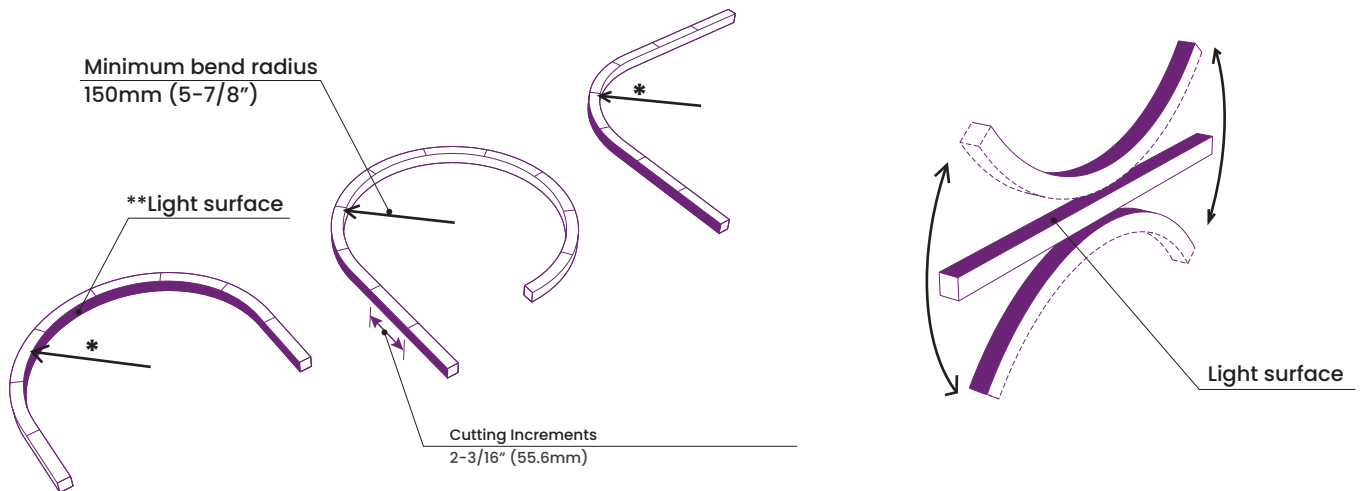


Left Side Lead

Part# NVSTK68SMLSC



Minimum Bend Radius and Bend Orientations



**Light surface could be inside or outside.

BL neonVIEW SIDE SI SC L2 bends vertically

*Horizontally bend option available on
BL neonVIEW DOME, FLAT Series and
BL neonVIEW SIDE SI SC L2 HB Series

PROJECT

CLIENT

TYPE

Solid State Lighting is sensitive to power fluctuations
Surge protection is highly recommended for all LED lighting products and should be on a designated circuit to protect against premature failure
Lack of surge protection may void your warranty

For more information, please download the
BL LIGHTING catalogue

BL LIGHTING. ILLUMINATE EVERYTHING

111 - 8838 Heather St. Vancouver, BC, Canada. V6P 3S8
P: 1-604-874-4405 E: info@bllighting.com
Copyright © BL INNOVATIVE LIGHTING. All Rights Reserved.

bllighting.com



BL neonVIEW

Diffused, Flexible, Linear LED Lighting,
Side Emitting, 24VDC, Constant Voltage

SIDE SI SC L2

Side Light, Silicone, Single Color,
High Output

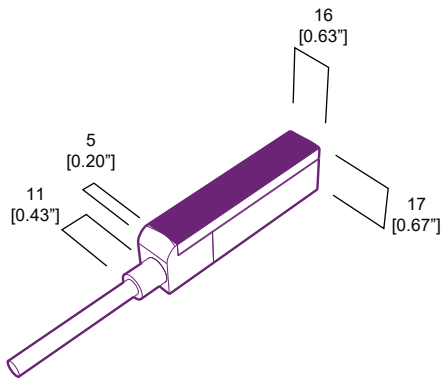
Printed



Dimensions

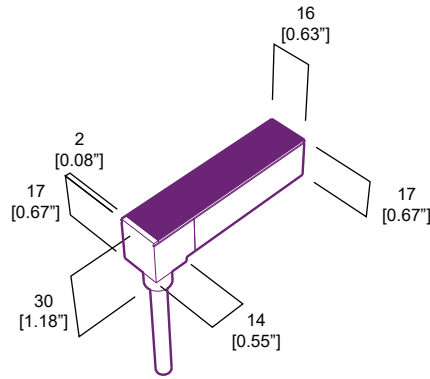
End Lead

Part# NVSTK68SMEC

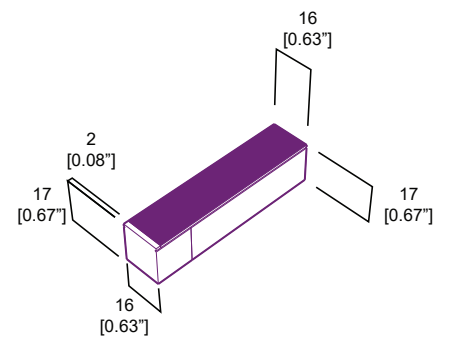


Back Lead

Part# NVSTK68SMBC

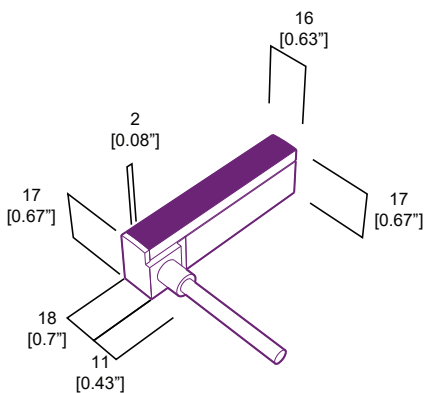


End Cap



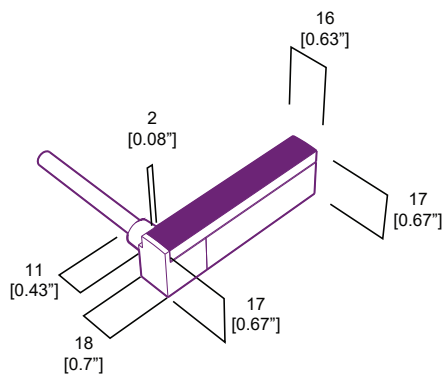
Right Side Lead

Part# NVSTK68SMRSC



Left Side Lead

Part# NVSTK68SMLSC



The tolerance of the Lead is $\pm 0.5\text{mm}$
For more detail, please download the CAD Drawing

PROJECT

CLIENT

TYPE

Solid State Lighting is sensitive to power fluctuations
Surge protection is highly recommended for all LED lighting products and should be on a designated circuit to protect against premature failure
Lack of surge protection may void your warranty

For more information, please download the
BL LIGHTING catalogue

BL LIGHTING. ILLUMINATE EVERYTHING

111 - 8838 Heather St. Vancouver, BC, Canada. V6P 3S8
P: 1-604-874-4405 E: info@bllighting.com
Copyright © BL INNOVATIVE LIGHTING. All Rights Reserved.

bllighting.com



BL neonVIEW

Diffused, Flexible, Linear LED Lighting,
Side Emitting, 24VDC, Constant Voltage

SIDE SI SC L2

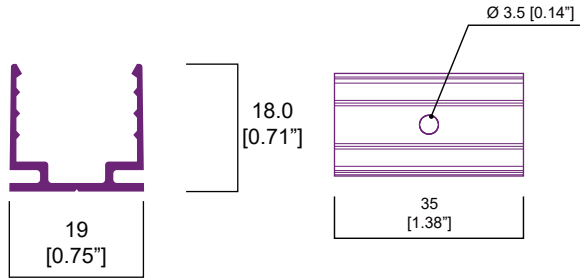
Side Light, Silicone, Single Color,
High Output

Printed

Accessories (Surface Mounting Clip and Channel)

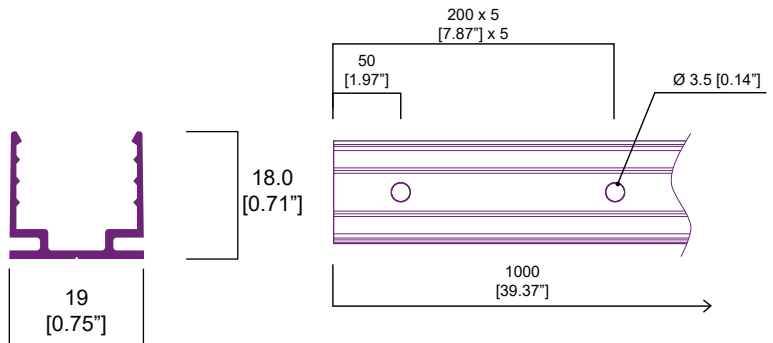
Surface Mounting Clip

Part# NVSCP



Surface Mounting Channel

Part# NVSMCH



For more detail, please download the CAD Drawing

PROJECT

CLIENT

TYPE

Solid State Lighting is sensitive to power fluctuations
Surge protection is highly recommended for all LED lighting products and should be on a designated circuit to protect against premature failure
Lack of surge protection may void your warranty

For more information, please download the
BL LIGHTING catalogue

BL LIGHTING. ILLUMINATE EVERYTHING

111 - 8838 Heather St. Vancouver, BC, Canada. V6P 3S8
P: 1-604-874-4405 E: info@bllighting.com
Copyright © BL INNOVATIVE LIGHTING. All Rights Reserved.

bllighting.com



BL neonVIEW

Diffused, Flexible, Linear LED Lighting,
Side Emitting, 24VDC, Constant Voltage

SIDE SI SC L2

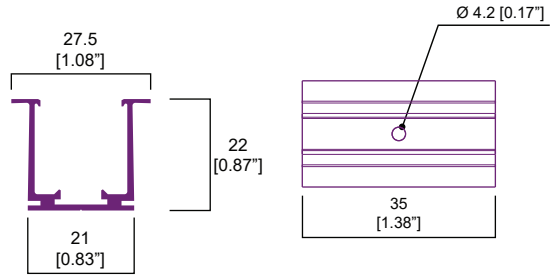
Side Light, Silicone, Single Color,
High Output

Printed

Accessories (Recessed Mounting Clip and Channel)

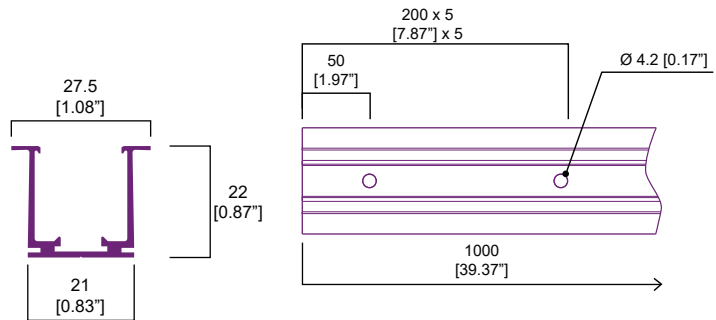
Recessed Mounting Clip

Part# NVSRMC



Recessed Mounting Channel

Part# NVSRMCH



For more detail, please download the CAD Drawing

PROJECT

CLIENT

TYPE

Solid State Lighting is sensitive to power fluctuations
Surge protection is highly recommended for all LED lighting products and should be on a designated circuit to protect against premature failure
Lack of surge protection may void your warranty

For more information, please download the
BL LIGHTING catalogue

BL LIGHTING. ILLUMINATE EVERYTHING

111 - 8838 Heather St. Vancouver, BC, Canada. V6P 3S8
P: 1-604-874-4405 E: info@bllighting.com
Copyright © BL INNOVATIVE LIGHTING. All Rights Reserved.

bllighting.com

