

**BL neonVIEW**

Diffused, Flexible, Linear LED Lighting, 24VDC, Constant Voltage

**SAUNA DOME SI SC**

Dome Profile, Silicone, Single Color

Printed



**Certification**



**Lighting**



Lamp	* LED, SMD 5050
LED's Per Foot	21 LEDs/ft (72 LEDs/m)
Power	1.83 W/FT
Beam Angle	160°
Average Life	50,000 Hours
Lumens	* 77-94 lm/FT
Efficacy	* 42-51 lm/W

**Electrical**

Control	0-10V, MLV, ELV, Phase-Cut, Triac, DMX, Bluetooth
Input Voltage	24VDC
Max Input Current	4.12A (White)
Connections	18AWG, Copper Conductors
Operating Temperature	-40°F to 194°F (-40°C to 90°C)
Circuit	Class 2

**Mechanical**

Housing Construction	Injection Moulded White Silicone
Cutting Increments	3-9/32" (83.3mm)
Maximum Run Length	50FT (15.2m)
Medial Bend Radius	2-23/64" (60mm)
Environmental	IP68(Seamless Injection Molded)
Mounting	Clip, Track

**Accessories**

NVTK	** Factory installed termination kit
NVJC	Factory installed jumper cable
NVCP	Surface Mounting Clip
NVMCH	Surface Mounting Channel
NVRMC	Recessed Mounting Clip
NVRMCH	Recessed Mounting Channel

\* Please refer to the performance table on the following page

\*\*Multiple Lead Orientation options available

PROJECT

CLIENT

TYPE

Solid State Lighting is sensitive to power fluctuations  
Surge protection is highly recommended for all LED lighting products and should be on a designated circuit to protect against premature failure  
Lack of surge protection may void your warranty

For more information, please download the **BL LIGHTING** catalogue

BL LIGHTING. ILLUMINATE EVERYTHING

111 - 8838 Heather St. Vancouver, BC, Canada. V6P 3S8  
P: 1-604-874-4405 E: info@bllighting.com  
Copyright © BL INNOVATIVE LIGHTING. All Rights Reserved.

[bllighting.com](http://bllighting.com)



**BL neonVIEW**

Diffused, Flexible, Linear LED Lighting, 24VDC, Constant Voltage

**SAUNA DOME SI SC**

Dome Profile, Silicone, Single Color

Printed

**Performance**

CCT/Color	Load	Lumens	Efficacy	Max. Length	Cutting Increments
2200K	1.83 W/FT	77 lm/FT	42 lm/W	50 ft	3-9/32 in (83.3mm)
2700K	1.83 W/FT	89 lm/FT	49 lm/W	50 ft	3-9/32 in (83.3mm)
3000K	1.83 W/FT	92 lm/FT	50 lm/W	50 ft	3-9/32 in (83.3mm)
3500K	1.83 W/FT	92 lm/FT	50 lm/W	50 ft	3-9/32 in (83.3mm)
4000K	1.83 W/FT	92 lm/FT	50 lm/W	50 ft	3-9/32 in (83.3mm)
5700K	1.83 W/FT	94 lm/FT	51 lm/W	50 ft	3-9/32 in (83.3mm)

**Ordering**

Product Name

BL neonVIEW SAUNA DOME SI SC

CCT

2200K  
2700K  
3000K  
3500K  
4000K  
5700K

Lead Orientation

NVTKBC = Back Lead  
NVTKEC = End Lead  
NVTKRSC = Right Side Lead  
NVTKLSC = Left Side Lead

Mounting Accessories

NVCP = Mounting Clip  
NVMCH = Mounting Channel  
NVRMC = Recessed Mounting Clip  
NVRMCH = Recessed Mounting Channel

PROJECT

CLIENT

TYPE

Solid State Lighting is sensitive to power fluctuations  
Surge protection is highly recommended for all LED lighting products and should be on a designated circuit to protect against premature failure  
Lack of surge protection may void your warranty

For more information, please download the  
**BL LIGHTING** catalogue

BL LIGHTING. ILLUMINATE EVERYTHING

111 - 8838 Heather St. Vancouver, BC, Canada. V6P 3S8  
P: 1-604-874-4405 E: info@bllighting.com  
Copyright © BL INNOVATIVE LIGHTING. All Rights Reserved.

**bllighting.com**



**BL neonVIEW**

Diffused, Flexible, Linear LED Lighting, 24VDC, Constant Voltage

**SAUNA DOME SI SC**

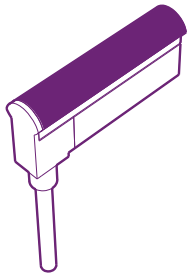
Dome Profile, Silicone, Single Color

Printed

**Lead Orientation**

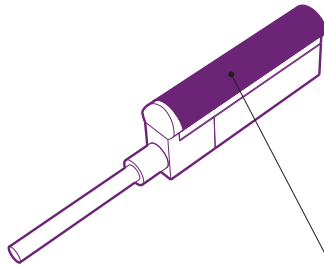
**Back Lead**

Part# NVTK68SMBC



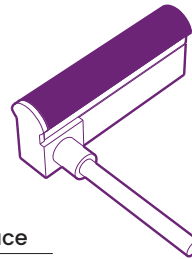
**End Lead**

Part# NVTK68SMEC



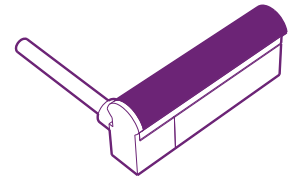
**Right Side Lead**

Part# NVTK68SMRSC

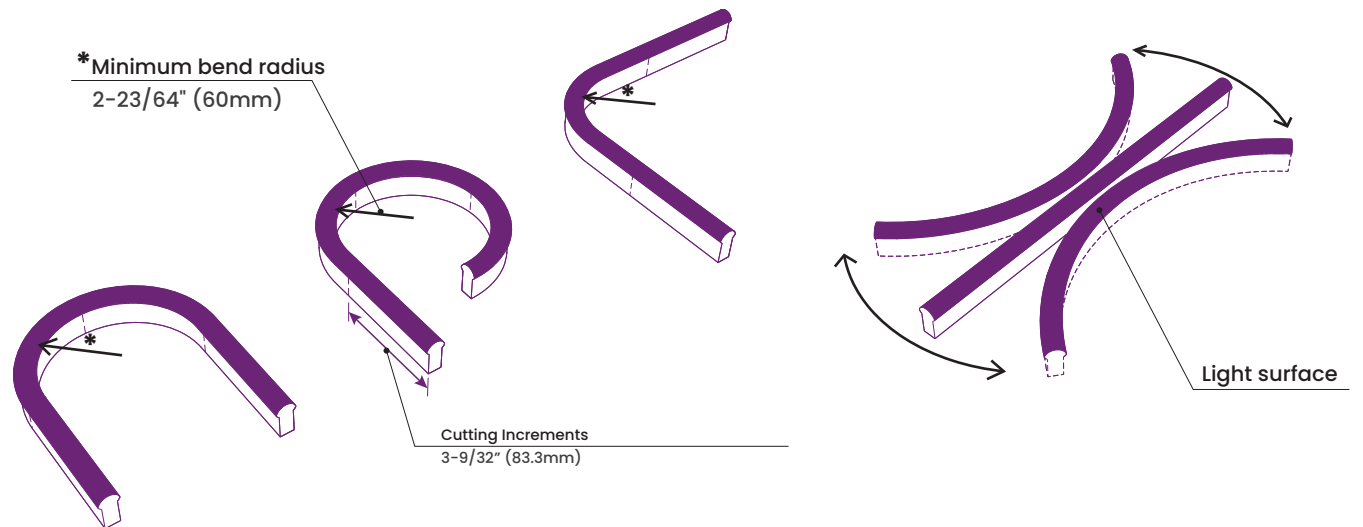


**Left Side Lead**

Part# NVTK68SMLSC



**Minimum Bend Radius and Bend Orientations**



**BL neonVIEW DOME Series bends horizontally**  
Vertical bend option available on  
BL neonVIEW SIDE Series

PROJECT

CLIENT

TYPE

Solid State Lighting is sensitive to power fluctuations  
Surge protection is highly recommended for all LED lighting products and should be on a designated circuit to protect against premature failure  
Lack of surge protection may void your warranty

For more information, please download the  
**BL LIGHTING** catalogue

BL LIGHTING. ILLUMINATE EVERYTHING

111 - 8838 Heather St. Vancouver, BC, Canada. V6P 3S8  
P: 1-604-874-4405 E: info@bllighting.com  
Copyright © BL INNOVATIVE LIGHTING. All Rights Reserved.

[bllighting.com](http://bllighting.com)



**BL neonVIEW**

Diffused, Flexible, Linear LED Lighting, 24VDC, Constant Voltage

**SAUNA DOME SI SC**

Dome Profile, Silicone, Single Color

Printed

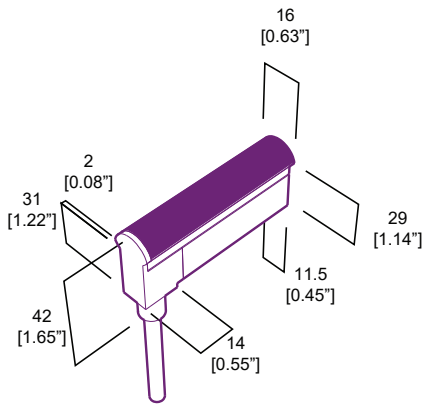


**Dimensions**

BL neonVIEW NVTK SM xx : Seamless, injection molded termination kit including Lead and end cap

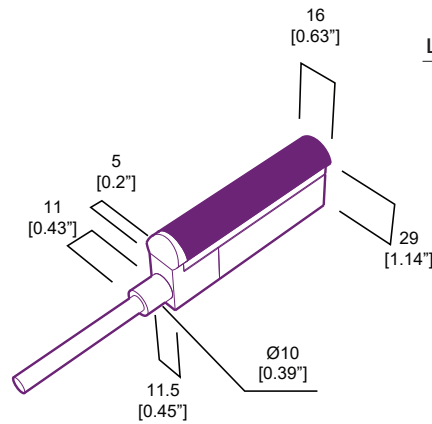
**Back Lead**

Part# NVTK68SMBC

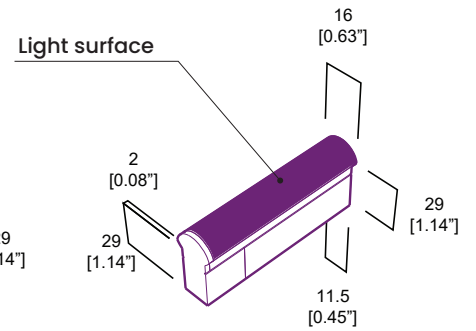


**End Lead**

Part# NVTK68SMEC

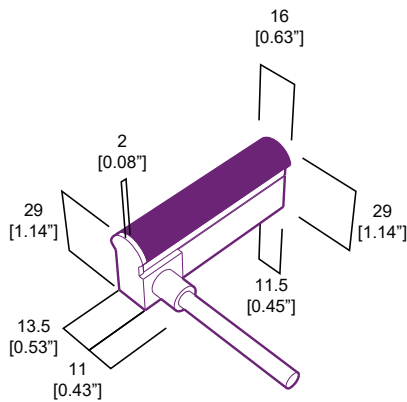


**End Cap**



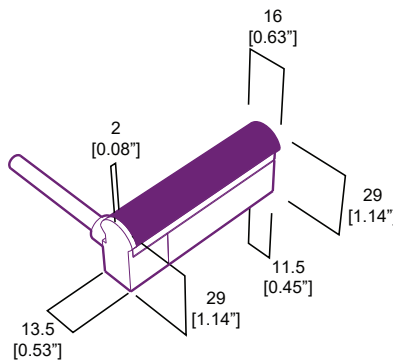
**Right Side Lead**

Part# NVTK68SMRSC



**Left Side Lead**

Part# NVTK68SMLSC



The tolerance of the Lead is  $\pm 0.5\text{mm}$   
For more detail, please download the CAD Drawing

PROJECT

CLIENT

TYPE

Solid State Lighting is sensitive to power fluctuations  
Surge protection is highly recommended for all LED lighting products and should be on a designated circuit to protect against premature failure  
Lack of surge protection may void your warranty

For more information, please download the  
**BL LIGHTING** catalogue



**BL neonVIEW**

Diffused, Flexible, Linear LED Lighting, 24VDC, Constant Voltage

**SAUNA DOME SI SC**

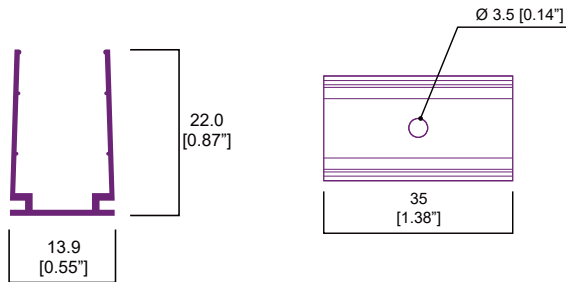
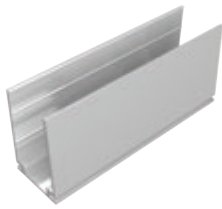
Dome Profile, Silicone, Single Color

Printed

**Accessories (Surface Mounting Clip and Channel)**

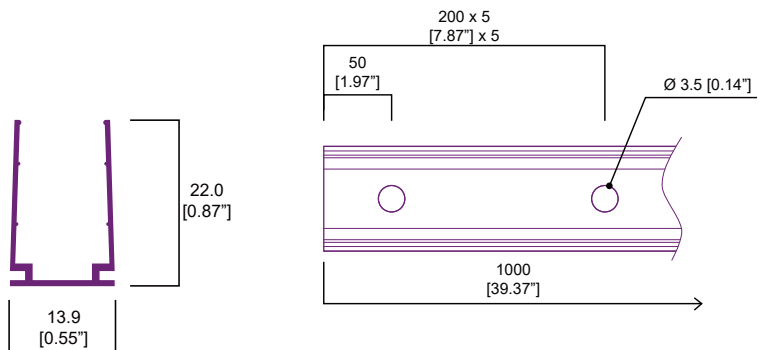
**Surface Mounting Clip**

Part# NVCP



**Surface Mounting Channel**

Part# NVMCH



For more detail, please download the CAD Drawing

PROJECT

CLIENT

TYPE

Solid State Lighting is sensitive to power fluctuations  
Surge protection is highly recommended for all LED lighting products and should be on a designated circuit to protect against premature failure  
Lack of surge protection may void your warranty

For more information, please download the **BL LIGHTING** catalogue



**BL neonVIEW**

Diffused, Flexible, Linear LED Lighting, 24VDC, Constant Voltage

**SAUNA DOME SI SC**

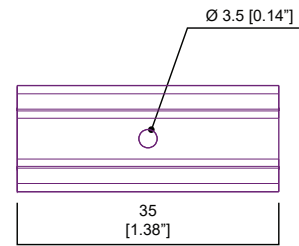
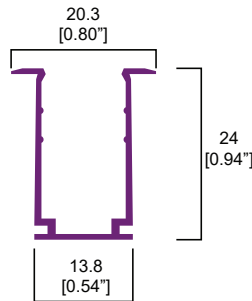
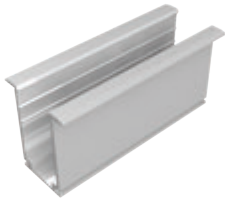
Dome Profile, Silicone, Single Color

Printed

**Accessories (Recessed Mounting Clip and Channel)**

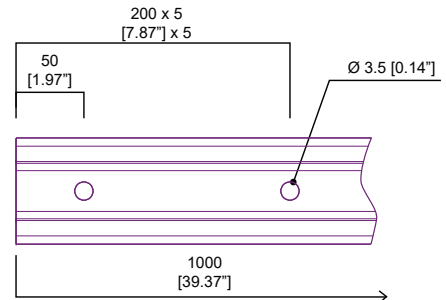
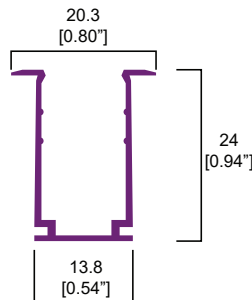
**Recessed Mounting Clip**

Part# NVRMC



**Recessed Mounting Channel**

Part# NVRMCH



For more detail, please download the CAD Drawing

PROJECT

CLIENT

TYPE

Solid State Lighting is sensitive to power fluctuations  
Surge protection is highly recommended for all LED lighting products and should be on a designated circuit to protect against premature failure  
Lack of surge protection may void your warranty

For more information, please download the  
**BL LIGHTING** catalogue

