

BL flexFORM

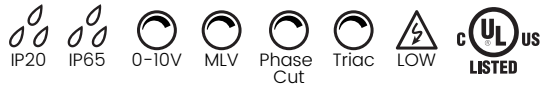
Flexible, Linear LED Strip Lighting
Monochromatic, 24VDC, Constant Voltage

Dot-Free D2

Printed



Certification



Lighting



LEDs Per Foot	146 LEDs/ft (480 LEDs/m)
CRI	91
Power	* 2.44 W/FT
Beam Angle	120°
Average Life	50,000 Hours
Lumens	* 212 lm/FT (3500K)
Efficacy	* 87 lm/W (3500K)

Electrical

Control	0-10V, MLV, ELV, Phase-Cut, Triac, Bluetooth
Input Voltage	24VDC
Max Input Current	4A
Connections	18AWG, Copper Conductors
Operating Temperature	-4°F to 104°F (-20°C to 40°C)
Circuit	Class 2

Mechanical

Housing Construction	Flexible PCB Board, Silicone Jacket
Cutting Increments	1.97" (50mm)
Maximum Run Length	16' - 4" (5M)
Environmental	IP20, IP65
Mounting	Clip, Adhesive, Double Sided Tape Compatible with BL fixFORM Series

Accessories

BL flexFORM Dot-free D2 TK	Termination Kit, Factory Installed
BL flexFORM Dot-free D2 JC	Jumper Cable, Factory Installed

* Please refer to the performance table on the following page

PROJECT

CLIENT

TYPE

Solid State Lighting is sensitive to power fluctuations
Surge protection is highly recommended for all LED lighting products and should be on a designated circuit to protect against premature failure
Lack of surge protection may void your warranty

For more information, please download the **BL LIGHTING** catalogue



BL flexFORM

Flexible, Linear LED Strip Lighting
Monochromatic, 24VDC, Constant Voltage

Dot-Free D2

Printed

Performance

CCT/Color	Load	Lumens	Efficacy	Max. Length	Cutting Increments
3000K	2.44 W/FT	207 lm/FT	85 lm/W	16 ft 4in	2 in (50mm)
3500K	2.44 W/FT	212 lm/FT	87 lm/W	16 ft 4in	2 in (50mm)

Ordering

Series

BL flexFORM Dot-Free D2

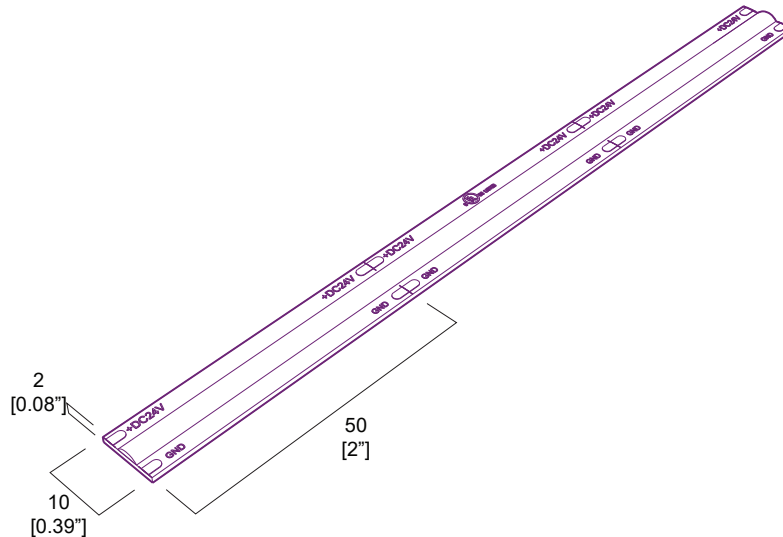
CCT

30 = 3000K
35 = 3500K

Ingress Protection

20 = IP20
65 = IP65

Dimensions



PROJECT

CLIENT

TYPE

Solid State Lighting is sensitive to power fluctuations
Surge protection is highly recommended for all LED lighting products and should be on a designated circuit to protect against premature failure
Lack of surge protection may void your warranty

For more information, please download the
BL LIGHTING catalogue

BL LIGHTING. ILLUMINATE EVERYTHING

111 - 8838 Heather St. Vancouver, BC, Canada. V6P 3S8
P: 1-604-874-4405 E: info@blighting.com
Copyright © BL INNOVATIVE LIGHTING. All Rights Reserved.

blighting.com

