

BL LED DRIVER J5 PHASE

Dimming LED Driver (Phase Cut, ELV and MLV)
30W, Constant Voltage, 24VDC

30W

Printed



Certification



Electrical

Input Voltage	100-277VAC
Input Frequency	47-63 Hz
Max Input Current	0.5A
Output Voltage	24VDC, Constant Voltage
Power	30W
Min. Power Draw	3W
Dimming	Phase Cut, ELV, MLV
Min. Dimming Level	0%
Max. Output Current	1.25A
Connections	18 AWG, Copper Conductors
Power Factor	0.97 - 0.99
Ambient Temperature	-40°F to 140°F (-40°C to 60°C)
Max. Case Temperature	140°F (60°C)
Circuit	Class 2

Mechanical

Housing Construction	Anodized Aluminum
Weight	2.1lb (0.95kg)
Environmental	IP65

PROJECT

CLIENT

TYPE

Solid State Lighting is sensitive to power fluctuations
Surge protection is highly recommended for all LED lighting products and should be on a designated circuit to protect against premature failure
Lack of surge protection may void your warranty

For more information, please download the
BL LIGHTING catalogue

BL LIGHTING. ILLUMINATE EVERYTHING

111 - 8838 Heather St. Vancouver, BC, Canada. V6P 3S8
P: 1-604-874-4405 F: 1-604-321-0445 E: info@bllighting.com
Copyright © 2017 BL INNOVATIVE LIGHTING. All Rights Reserved.

bllighting.com



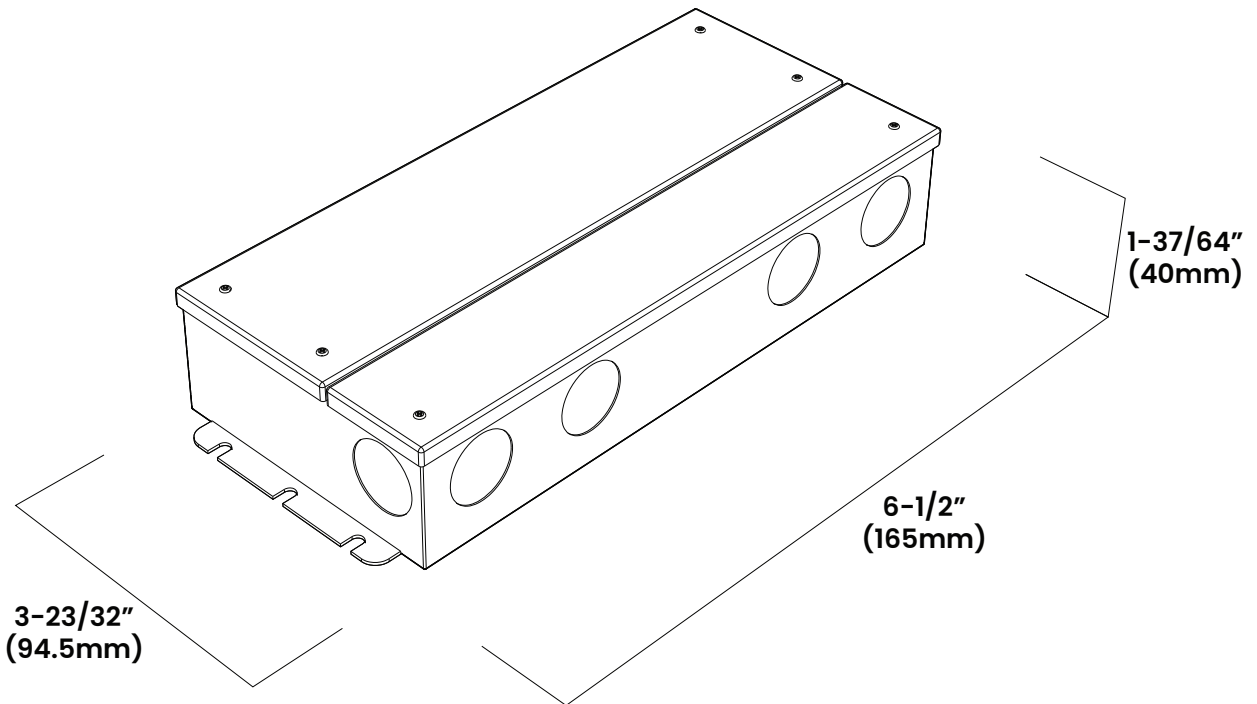
BL LED DRIVER J5 PHASE

Dimming LED Driver (Phase Cut, ELV and MLV)
30W, Constant Voltage, 24VDC

30W

Printed

Dimensions



PROJECT	CLIENT	TYPE
---------	--------	------

Solid State Lighting is sensitive to power fluctuations
Surge protection is highly recommended for all LED lighting products and should be on a designated circuit to protect against premature failure
Lack of surge protection may void your warranty

For more information, please download the
BL LIGHTING catalogue

BL LIGHTING. ILLUMINATE EVERYTHING

111 - 8838 Heather St. Vancouver, BC, Canada, V6P 3S8
P: 1-604-874-4405 F: 1-604-321-0445 E: info@bllighting.com
Copyright © 2017 BL INNOVATIVE LIGHTING. All Rights Reserved.

bllighting.com

