



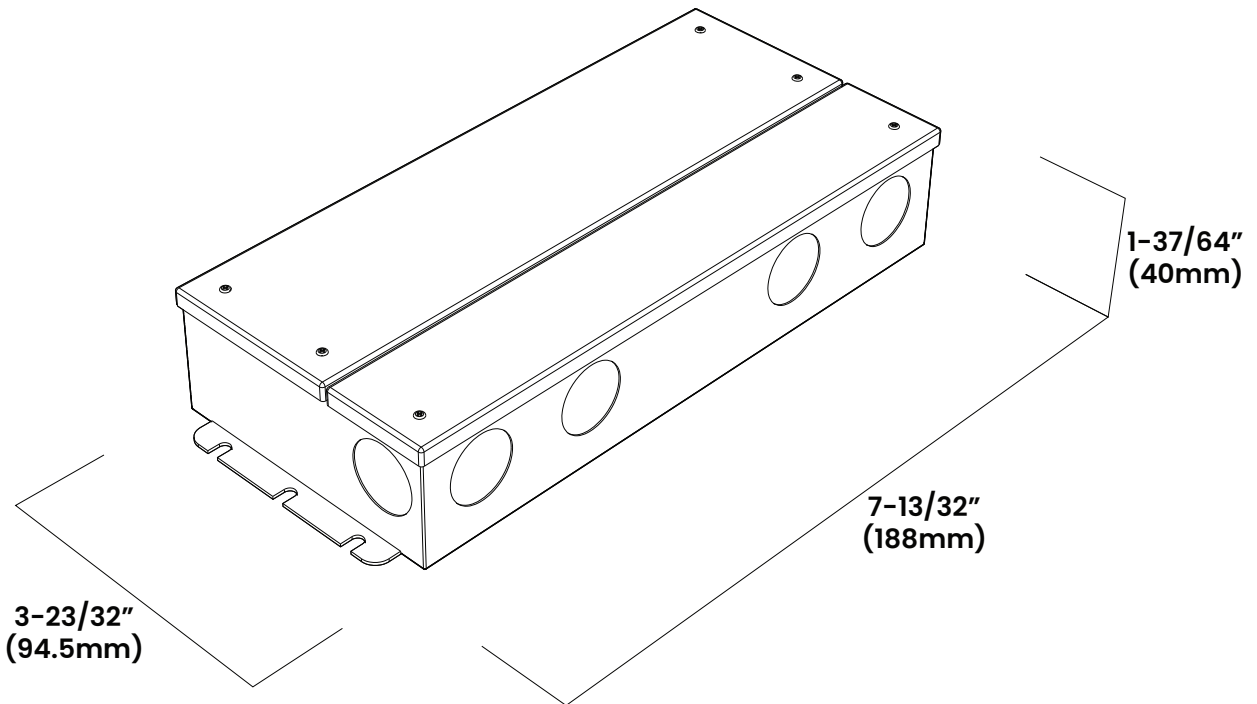
**BL LED DRIVER COMBO J5**

Dimming LED Driver (Phase Cut, ELV, MLV, TRIAC and 0-10V)  
60W, Constant Voltage, 24VDC

**60W**

Printed

**Dimensions**



PROJECT	CLIENT	TYPE
---------	--------	------

Solid State Lighting is sensitive to power fluctuations  
Surge protection is highly recommended for all LED lighting products and should be on a designated circuit to protect against premature failure  
Lack of surge protection may void your warranty

For more information, please download the  
**BL LIGHTING** catalogue

**BL LIGHTING. ILLUMINATE EVERYTHING**

111 - 8838 Heather St. Vancouver, BC, Canada, V6P 3S8  
P: 1-604-874-4405 F: 1-604-321-0445 E: info@bllighting.com  
Copyright © 2017 BL INNOVATIVE LIGHTING. All Rights Reserved.

**bllighting.com**

