

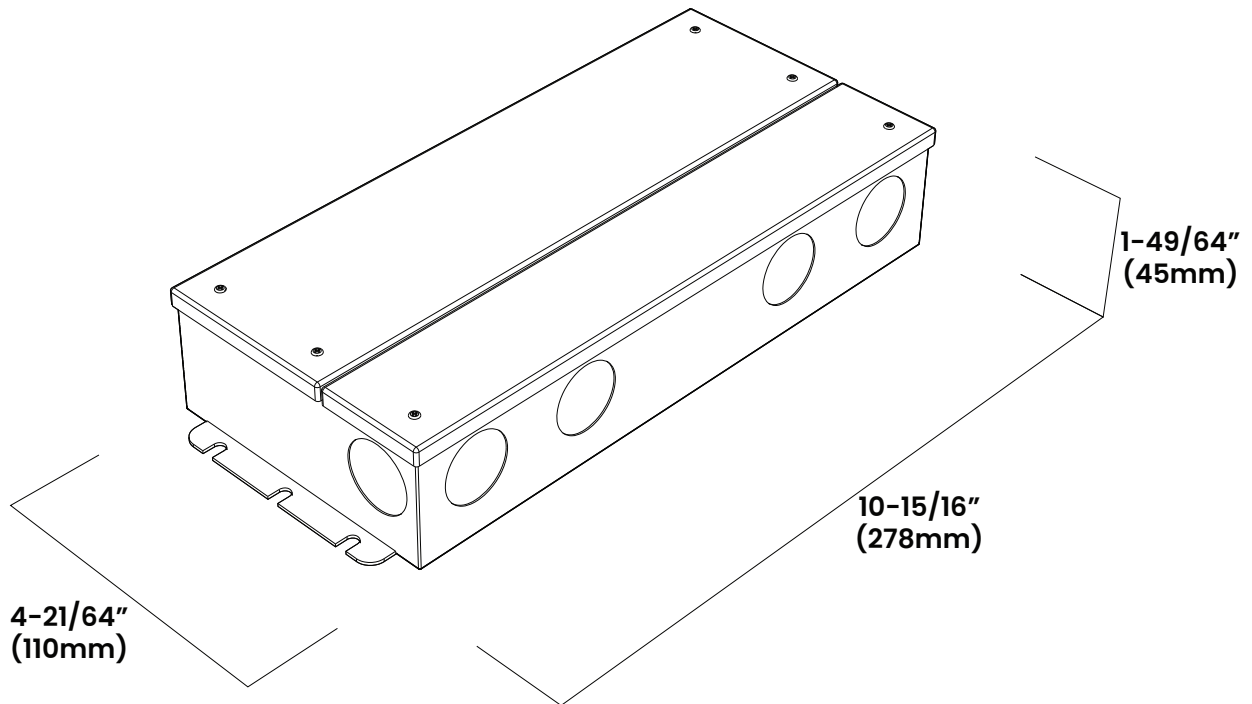
BL LED DRIVER COMBO J5

Dimming LED Driver (Phase Cut, ELV, MLV, TRIAC and 0-10V)
2 x 96W, Constant Voltage, 24VDC

2 x 96W

Printed

Dimensions



PROJECT <input type="text"/>	CLIENT <input type="text"/>	TYPE <input type="text"/>
------------------------------	-----------------------------	---------------------------

Solid State Lighting is sensitive to power fluctuations
Surge protection is highly recommended for all LED lighting products and should be on a designated circuit to protect against premature failure
Lack of surge protection may void your warranty

For more information, please download the
BL LIGHTING catalogue

BL LIGHTING. ILLUMINATE EVERYTHING

111 - 8838 Heather St. Vancouver, BC, Canada. V6P 3S8
P: 1-604-874-4405 F: 1-604-321-0445 E: info@bllighting.com
Copyright © 2017 BL INNOVATIVE LIGHTING. All Rights Reserved.

bllighting.com

