

**BL LED DRIVER J5**

Standard LED Driver  
96W, Constant Voltage, 24VDC

**96W**

Printed



**Certification**



**Electrical**

Input Voltage	100-277VAC
Input Frequency	47-63 Hz
Max Input Current	1.5A
Output Voltage	24VDC, Constant Voltage
Power	96W
Min. Power Draw	0W
Dimming	Non-dimmable
Max. Output Current	4.0A
Connections	16 AWG, Copper Conductors
Power Factor	0.97 - 0.99
Ambient Temperature	-40°F to 140°F (-40°C to 60°C)
Max. Case Temperature	158°F (70°C)
Circuit	Class 2

**Mechanical**

Housing Construction	Anodized Aluminum
Weight	2.9lb (1.3kg)
Environmental	IP65

PROJECT

CLIENT

TYPE

Solid State Lighting is sensitive to power fluctuations  
Surge protection is highly recommended for all LED lighting products and should be on a designated circuit to protect against premature failure  
Lack of surge protection may void your warranty

For more information, please download the  
**BL LIGHTING** catalogue

**BL LIGHTING. ILLUMINATE EVERYTHING**

111 - 8838 Heather St. Vancouver, BC, Canada. V6P 3S8  
P: 1-604-874-4405 F: 1-604-321-0445 E: info@bllighting.com  
Copyright © 2017 BL INNOVATIVE LIGHTING. All Rights Reserved.

**bllighting.com**



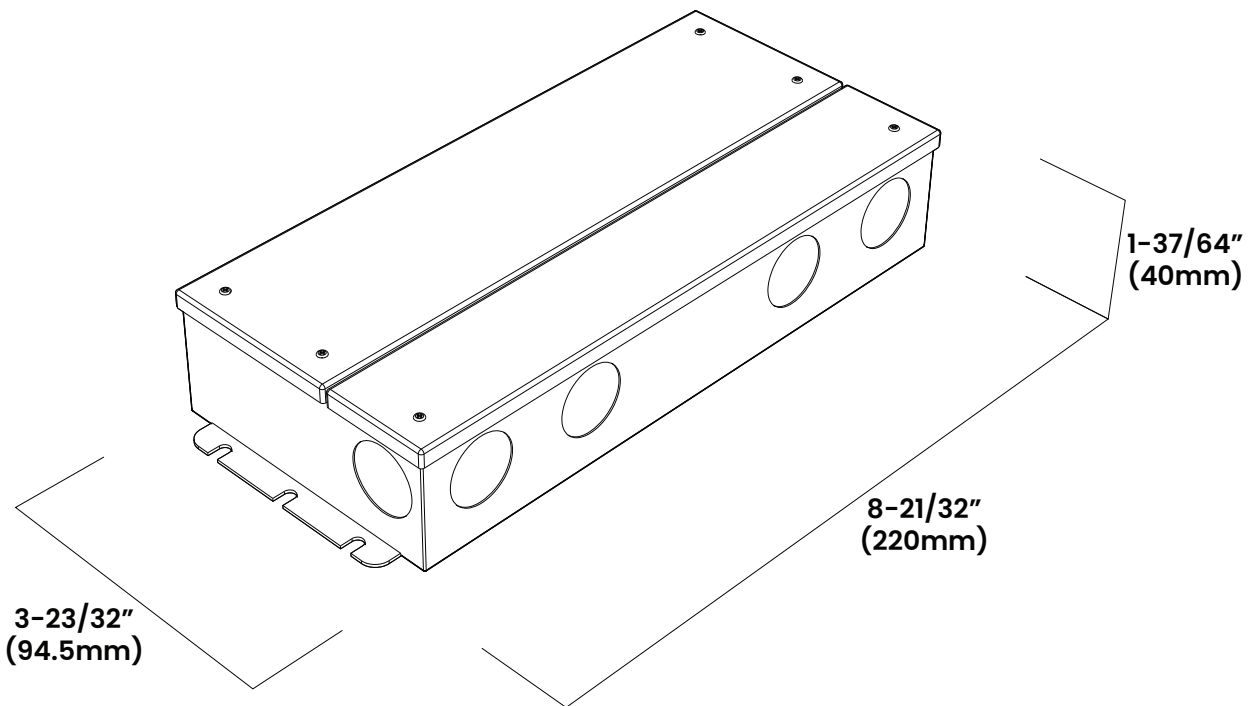
**BL LED DRIVER J5**

Standard LED Driver  
96W, Constant Voltage, 24VDC

**96W**

Printed

**Dimensions**



PROJECT

CLIENT

TYPE

Solid State Lighting is sensitive to power fluctuations  
Surge protection is highly recommended for all LED lighting products and should be on a designated circuit to protect against premature failure  
Lack of surge protection may void your warranty

For more information, please download the  
**BL LIGHTING** catalogue

**BL LIGHTING. ILLUMINATE EVERYTHING**

111 - 8838 Heather St. Vancouver, BC, Canada, V6P 3S8  
P: 1-604-874-4405 F: 1-604-321-0445 E: info@bllighting.com  
Copyright © 2017 BL INNOVATIVE LIGHTING. All Rights Reserved.

**bllighting.com**

