

BL fiberSOURCE

LED Light Engine Designed for **BL fiberOPTIC**
120W, Mono or Polychromatic

Phoenix

Printed



Certification



Lighting



Power	120W
Average Life	50,000 Hours
Lumens	3500 - 4450 lm
Efficacy	29 - 37 lm/W

Electrical

Controls	DMX, 0-10V
Input Voltage	100V - 240V AC
Operating Temperature	32°F to 104°F (0°C to 40°C)

Mechanical

Material	Black Finish Iron Plate
Aperture	1-3/16" (30mm), 1-5/16" (33mm)
Weight	8.4 lbs (3.81kg)
Environmental	IP20
Wheel Options	Twinkle Wheel

PROJECT

CLIENT

TYPE

Solid State Lighting is sensitive to power fluctuations
Surge protection is highly recommended for all LED lighting products and should be on a designated circuit to protect against premature failure
Lack of surge protection may void your warranty

For more information, please download the
BL LIGHTING catalogue

BL LIGHTING. ILLUMINATE EVERYTHING

111 - 8838 Heather St. Vancouver, BC, Canada, V6P 3S8
P: 1-604-874-4405 Toll Free: 1-888-874-4405 E: info@blighting.com
Copyright © 2019 BL LIGHTING. All Rights Reserved.

blighting.com



BL fiberSOURCE

LED Light Engine Designed for **BL fiberOPTIC**
120W, Mono or Polychromatic

Phoenix

Printed

Performance

CCT/Color	Load	Lumens	Efficacy
2800K	120 W/Unit	3850 lm	32 lm/W
3000K	120 W/Unit	3950 lm	33 lm/W
4200K	120 W/Unit	4050 lm	34 lm/W
4400K	120 W/Unit	4200 lm	35 lm/W
5000K	120 W/Unit	4300 lm	36 lm/W
6500K	120 W/Unit	4450 lm	37 lm/W
RGBW	120 W/Unit	3500 lm	29 lm/W

Ordering

Series

BL fiberSOURCE Phoenix

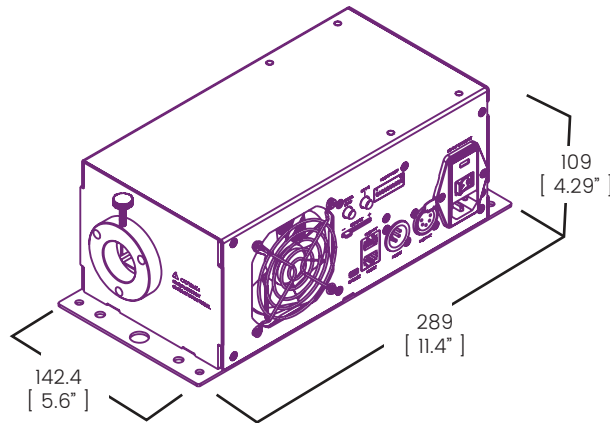
CCT/Color

- 28 = 2800K
- 30 = 3000K
- 42 = 4200K
- 44 = 4400K
- 50 = 5000K
- 65 = 6500K
- M2 = RGBW

Effect

- NO = No Effect
- TW = Twinkle Wheel

Dimensions



PROJECT

CLIENT

TYPE

Solid State Lighting is sensitive to power fluctuations
Surge protection is highly recommended for all LED lighting products and should be on a designated circuit to protect against premature failure
Lack of surge protection may void your warranty

For more information, please download the
BL LIGHTING catalogue

BL LIGHTING. ILLUMINATE EVERYTHING

111 - 8838 Heather St. Vancouver, BC, Canada, V6P 3S8
P: 1-604-874-4405 Toll Free: 1-888-874-4405 E: info@blighting.com
Copyright © 2019 BL LIGHTING. All Rights Reserved.

blighting.com

