

BL fiberSOURCE

LED Light Engine Designed for BL fiberOPTIC
46W RGBW DMX

Aries

Printed

Certification



Lighting



Lamp	High Powered LED, 46W
Average Life	50,000 Hours
Lumen	3,610lm
Efficacy	78lm/W

Electrical

Input Voltage	100-240VAC, 50/60Hz
Output Voltage	24VDC, 2.5A
Load	46W
Operating Temperature	14°F to 86°F (-10°C to 30°C)

Mechanical

Housing Construction	Aluminum
Aperture	1 3/16" (30mm)
Environmental	IP20
Wheel Option	Twinkle Wheel

PROJECT

CLIENT

TYPE

Solid State Lighting is sensitive to power fluctuations
Surge protection is highly recommended for all LED lighting products and should be on a designated circuit to protect against premature failure
Lack of surge protection may void your warranty

For more information, please download the
BL LIGHTING catalogue

BL LIGHTING. ILLUMINATE EVERYTHING

111 - 8838 Heather St. Vancouver, BC, Canada. V6P 3S8
P: 1-604-874-4405 E: info@blighting.com
Copyright © BL INNOVATIVE LIGHTING. All Rights Reserved.

blighting.com



BL fiberSOURCE

LED Light Engine Designed for BL fiberOPTIC
46W RGBW DMX

Aries

Printed

Ordering

Series

BL fiberSOURCE Aries

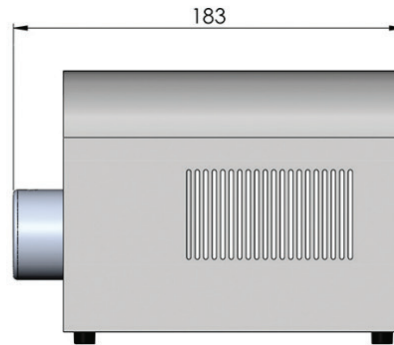
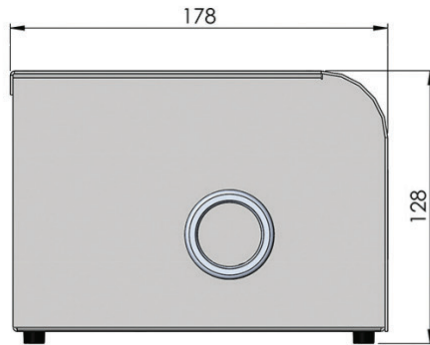
Color Option

M2 = RGBW

Effect

NO = No effect
TW = Twinkle Wheel

Dimensions



PROJECT

CLIENT

TYPE

Solid State Lighting is sensitive to power fluctuations
Surge protection is highly recommended for all LED lighting products and should be on a designated circuit to protect against premature failure
Lack of surge protection may void your warranty

For more information, please download the
BL LIGHTING catalogue

BL LIGHTING. ILLUMINATE EVERYTHING

111 - 8838 Heather St. Vancouver, BC, Canada. V6P 3S8
P: 1-604-874-4405 E: info@blighting.com
Copyright © BL INNOVATIVE LIGHTING. All Rights Reserved.

blighting.com

