

**BL neonVIEW**

Diffused, Flexible, Linear LED Lighting, 24VDC, Constant Voltage

**TUNABLE SIDE SI**

Tunable White, Side Profile, Silicone

Printed



**Certification**



**Lighting**



Lamp Load	43 LEDs/ft (144 LEDs/m)
Beam Angle	3.66 W/FT
Average Life	120°
Lumens	50,000 Hours
Efficacy	* 175 lm/FT
	* 48 lm/W

**Electrical**

Control	DMX, Bluetooth
Input Voltage	24VDC
Max Input Current	4.12A (White)
Connections	18AWG, Copper Conductors
Operating Temperature	-40°F to 131°F (-40°C to 55°C)
Circuit	Class 2

**Mechanical**

Housing Construction	Injection Moulded White Silicone
Cutting Increments	3-9/32" (83.3mm)
Maximum Run Length	25FT (7.9m)
Medial Bend Radius	150mm (5-7/8")
Environmental	IP68 (Seamless Injection)
Mounting	Clip, Track

**Accessories**

NVSTK	** Factory installed termination kit
NVSJC	Factory installed jumper cable
NVSCP	Surface Mounting Clip
NVSMCH	Surface Mounting Channel
NVSRMC	Recessed Mounting Clip
NVSRMCH	Recessed Mounting Channel

\* Please refer to the performance table on the following page

\*\*Multiple Lead Orientation options available

PROJECT

CLIENT

TYPE

Solid State Lighting is sensitive to power fluctuations  
Surge protection is highly recommended for all LED lighting products and should be on a designated circuit to protect against premature failure  
Lack of surge protection may void your warranty

For more information, please download the **BL LIGHTING** catalogue

**BL LIGHTING. ILLUMINATE EVERYTHING**

111 - 8838 Heather St. Vancouver, BC, Canada. V6P 3S8  
P: 1-604-874-4405 E: info@bllighting.com  
Copyright © BL INNOVATIVE LIGHTING. All Rights Reserved.

**bllighting.com**



**BL neonVIEW**

Diffused, Flexible, Linear LED Lighting, 24VDC, Constant Voltage

**TUNABLE SIDE SI**

Tunable White, Side Profile, Silicone

Printed

**Performance**

CCT/Color	Load	Lumens	Efficacy	Max. Length	Cutting Increments
2200 (WW)		81 lm/FT	46 lm/W		
5700 (W)		99 lm/FT	55 lm/W		
WW + W	3.66 W/FT	175 lm/FT	48 lm/W	25 ft 11 in	3-9/32 in (83.3mm)

**Ordering**

Product Name

CCT/Color

Lead Orientation

Mounting Accessories

BL neonVIEW TUNABLE SIDE SI

**TW**

TW = 2200 - 5700

**NVSTKBC** = Back Lead  
**NVSTKEC** = End Lead  
**NVSTKRSC** = Right Side Lead  
**NVSTKLSC** = Left Side Lead

**NVSCP** = Mounting Clip  
**NVSMCH** = Mounting Channel  
**NVSRMC** = Recessed Mounting Clip  
**NVSRMCH** = Recessed Mounting Channel

PROJECT

CLIENT

TYPE

Solid State Lighting is sensitive to power fluctuations  
 Surge protection is highly recommended for all LED lighting products and should be on a designated circuit to protect against premature failure  
 Lack of surge protection may void your warranty

For more information, please download the **BL LIGHTING** catalogue

**BL LIGHTING. ILLUMINATE EVERYTHING**

111 - 8838 Heather St. Vancouver, BC, Canada. V6P 3S8  
 P: 1-604-874-4405 E: info@blighting.com  
 Copyright © BL INNOVATIVE LIGHTING. All Rights Reserved.

**blighting.com**



**BL neonVIEW**

Diffused, Flexible, Linear LED Lighting, 24VDC, Constant Voltage

**TUNABLE SIDE SI**

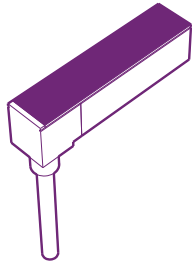
Tunable White, Side Profile, Silicone

Printed

**Lead Orientation**

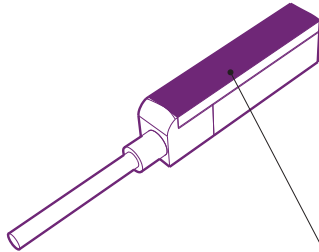
**Back Lead**

Part# NVSTK68SMBC



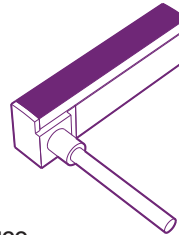
**End Lead**

Part# NVSTK68SMEC



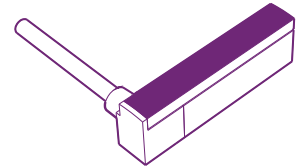
**Right Side Lead**

Part# NVSTK68SMRSC

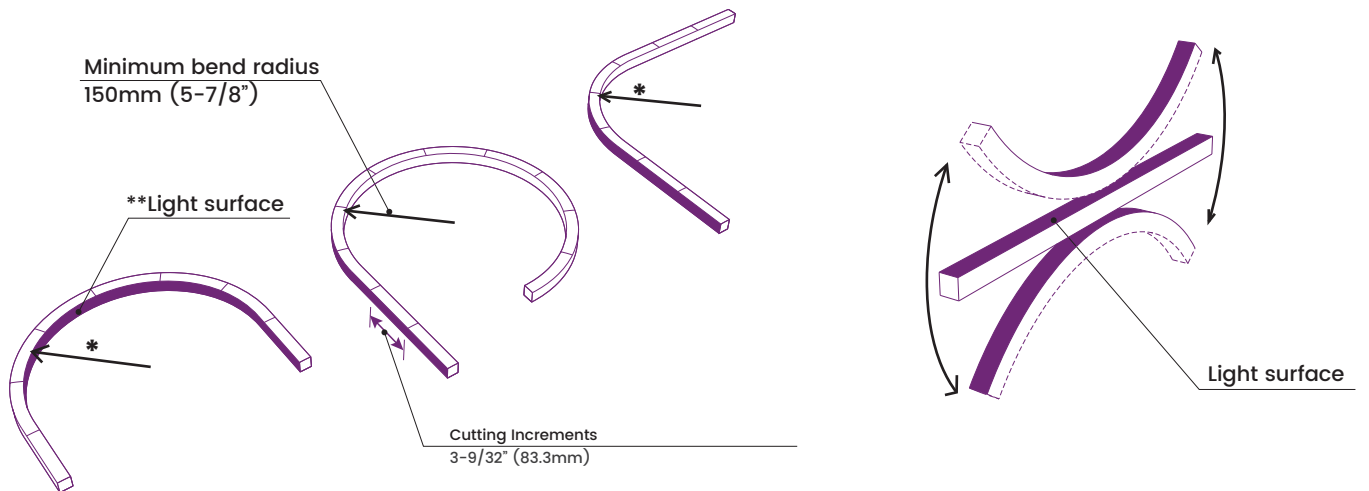


**Left Side Lead**

Part# NVSTK68SMLSC



**Minimum Bend Radius and Bend Orientations**



\*\*Light surface could be inside or outside.

**BL neonVIEW SIDE Series bends vertically**

\*Horizontally bend option available on BL neonVIEW DOME and FLAT Series

PROJECT

CLIENT

TYPE

Solid State Lighting is sensitive to power fluctuations  
Surge protection is highly recommended for all LED lighting products and should be on a designated circuit to protect against premature failure  
Lack of surge protection may void your warranty

For more information, please download the  
**BL LIGHTING** catalogue

**BL LIGHTING. ILLUMINATE EVERYTHING**

111 - 8838 Heather St. Vancouver, BC, Canada. V6P 3S8  
P: 1-604-874-4405 E: info@blighting.com  
Copyright © BL INNOVATIVE LIGHTING. All Rights Reserved.

**blighting.com**



**BL neonVIEW**

Diffused, Flexible, Linear LED Lighting, 24VDC, Constant Voltage

**TUNABLE SIDE SI**

Tunable White, Side Profile, Silicone

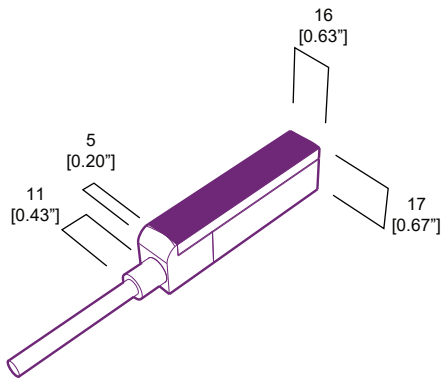
Printed



**Dimensions**

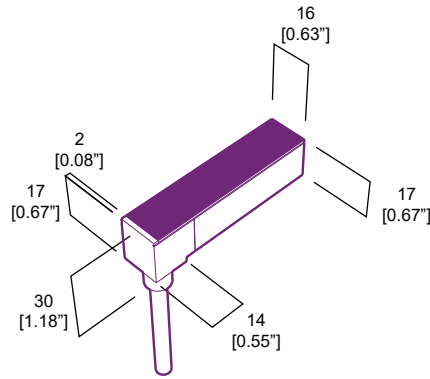
**End Lead**

Part# NVSTK68SMEC

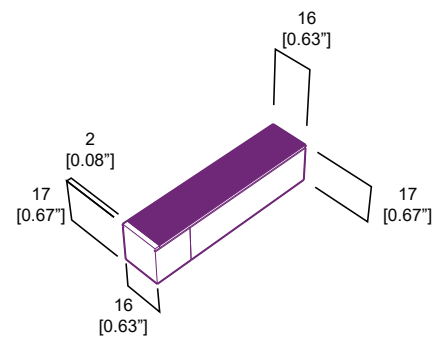


**Back Lead**

Part# NVSTK68SMBC

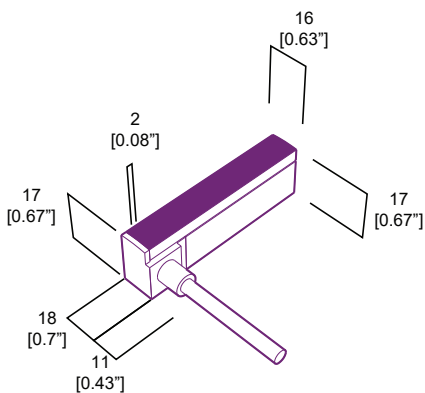


**End Cap**



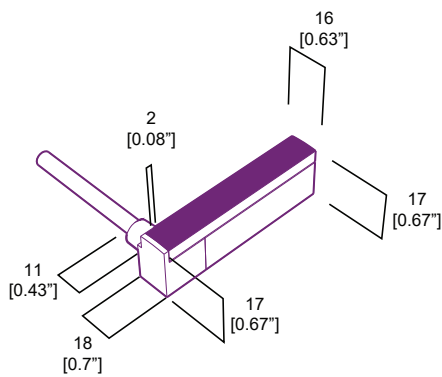
**Right Side Lead**

Part# NVSTK68SMRSC



**Left Side Lead**

Part# NVSTK68SMLSC



The tolerance of the Lead is  $\pm 0.5\text{mm}$   
For more detail, please download the CAD Drawing

PROJECT  CLIENT  TYPE

Solid State Lighting is sensitive to power fluctuations  
Surge protection is highly recommended for all LED lighting products and should be on a designated circuit to protect against premature failure  
Lack of surge protection may void your warranty

For more information, please download the  
**BL LIGHTING** catalogue

**BL LIGHTING. ILLUMINATE EVERYTHING**

111 - 8838 Heather St. Vancouver, BC, Canada. V6P 3S8  
P: 1-604-874-4405 E: info@blighting.com  
Copyright © BL INNOVATIVE LIGHTING. All Rights Reserved.

**blighting.com**



**BL neonVIEW**

Diffused, Flexible, Linear LED Lighting, 24VDC, Constant Voltage

**TUNABLE SIDE SI**

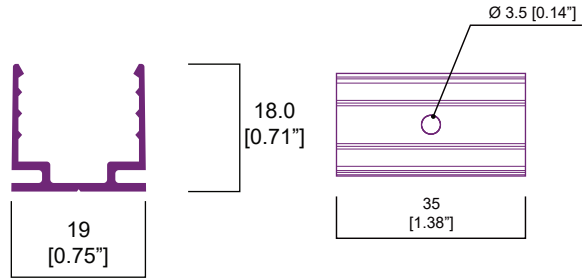
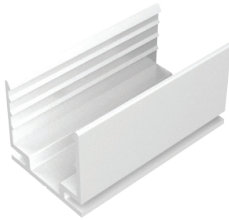
Tunable White, Side Profile, Silicone

Printed

**Accessories (Surface Mounting Clip and Channel)**

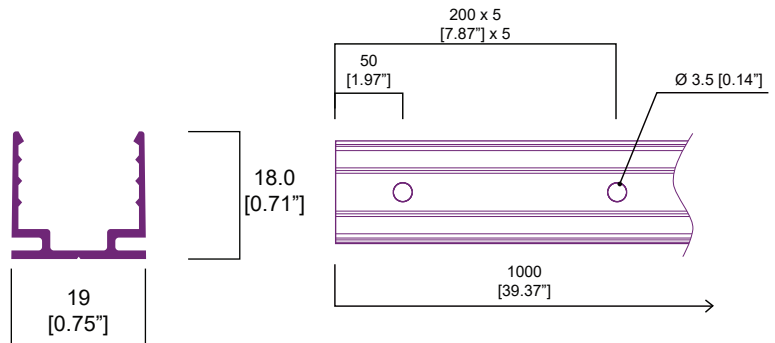
**Surface Mounting Clip**

Part# NVSCP



**Surface Mounting Channel**

Part# NVSMCH



For more detail, please download the CAD Drawing

PROJECT

CLIENT

TYPE

Solid State Lighting is sensitive to power fluctuations  
Surge protection is highly recommended for all LED lighting products and should be on a designated circuit to protect against premature failure  
Lack of surge protection may void your warranty

For more information, please download the  
**BL LIGHTING** catalogue

**BL LIGHTING. ILLUMINATE EVERYTHING**

111 - 8838 Heather St. Vancouver, BC, Canada. V6P 3S8  
P: 1-604-874-4405 E: info@blighting.com  
Copyright © BL INNOVATIVE LIGHTING. All Rights Reserved.

**blighting.com**



**BL neonVIEW**

Diffused, Flexible, Linear LED Lighting, 24VDC, Constant Voltage

**TUNABLE SIDE SI**

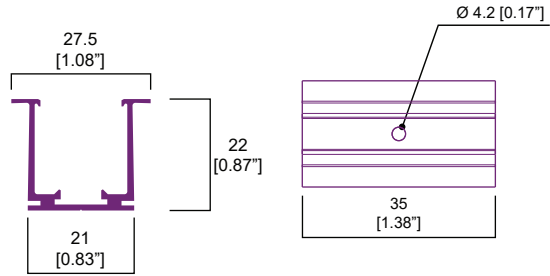
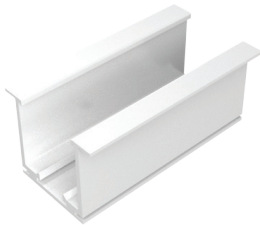
Tunable White, Side Profile, Silicone

Printed

**Accessories (Recessed Mounting Clip and Channel)**

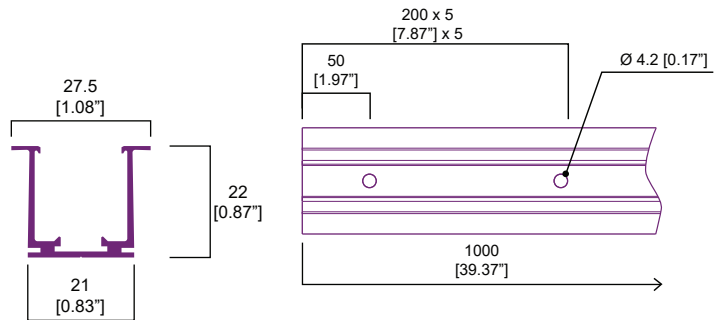
**Recessed Mounting Clip**

Part# NVSRMC



**Recessed Mounting Channel**

Part# NVSRMCH



For more detail, please download the CAD Drawing

PROJECT

CLIENT

TYPE

Solid State Lighting is sensitive to power fluctuations  
Surge protection is highly recommended for all LED lighting products and should be on a designated circuit to protect against premature failure  
Lack of surge protection may void your warranty

For more information, please download the **BL LIGHTING** catalogue

**BL LIGHTING. ILLUMINATE EVERYTHING**

111 - 8838 Heather St. Vancouver, BC, Canada. V6P 3S8  
P: 1-604-874-4405 E: info@blighting.com  
Copyright © BL INNOVATIVE LIGHTING. All Rights Reserved.

**blighting.com**

