

BL neonVIEW

Diffused, Flexible, Linear LED Lighting,
Side Emitting, 24VDC, Constant Voltage

SIDE SI RGBW

Side Light, Silicone, Color changing

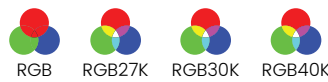
Printed



Certification



Lighting



Lamp	LED, SMD 5050
LED's Per Foot	25 LEDs/ft (84 LEDs/m)
Power	* 3.66-4.57 W/FT
Beam Angle	120°
Average Life	50,000 Hours
Lumens	* 125-209 lm/FT
Efficacy	* 34-46 lm/W

Electrical

Control	DMX, Bluetooth
Input Voltage	24VDC
Max Input Current	4.12A (White)
Connections	18AWG, Copper Conductors
Operating Temperature	-40°F to 131°F (-40°C to 55°C)
Circuit	Class 2

Mechanical

Housing Construction	Injection Moulded White Silicone
Cutting Increments	3-9/32" (83.3mm)
Maximum Run Length	* 21FT (6.5m) to 25FT (12m)
Medial Bend Radius	150mm (5-7/8")
Environmental	IP68 (Seamless Injection)
Mounting	Clip, Track

Accessories

NVSTK	** Factory installed termination kit
NVSJC	Factory installed jumper cable
NVSCP	Surface Mounting Clip
NVSMCH	Surface Mounting Channel
NVSRMC	Recessed Mounting Clip
NVSRMCH	Recessed Mounting Channel

* Please refer to the performance table on the following page

**Multiple Lead Orientation options available

PROJECT

CLIENT

TYPE

Solid State Lighting is sensitive to power fluctuations
Surge protection is highly recommended for all LED lighting products and should be on a designated circuit to protect against premature failure
Lack of surge protection may void your warranty

For more information, please download the
BL LIGHTING catalogue

BL LIGHTING. ILLUMINATE EVERYTHING

111 - 8838 Heather St. Vancouver, BC, Canada. V6P 3S8
P: 1-604-874-4405 E: info@blighting.com
Copyright © BL INNOVATIVE LIGHTING. All Rights Reserved.

blighting.com



BL neonVIEW

Diffused, Flexible, Linear LED Lighting,
Side Emitting, 24VDC, Constant Voltage

SIDE SI RGBW

Side Light, Silicone, Color changing

Printed

Performance

CCT/Color	Load	Lumens	Efficacy	Max. Length	Cutting Increments
RGB	3.66 W/FT	125 lm/FT	34 lm/W	25 ft 11 in	3-9/32 in (83.3mm)
RGB27K	4.57 W/FT	206 lm/FT	45 lm/W	20 ft 9 in	3-9/32 in (83.3mm)
RGB30K	4.57 W/FT	207 lm/FT	45 lm/W	20 ft 9 in	3-9/32 in (83.3mm)
RGB40K	4.57 W/FT	209 lm/FT	46 lm/W	20 ft 9 in	3-9/32 in (83.3mm)

Ordering

Product Name

CCT/Color

Lead Orientation

Mounting Accessories

BL neonVIEW SIDE SI RGBW 24V

M1 = RGB
M2 = RGB27K
M3 = RGB30K
M4 = RGB40K

NVSTKBC = Back Lead
NVSTKEC = End Lead
NVSTKRSC = Right Side Lead
NVSTKLSC = Left Side Lead

NVSCP = Mounting Clip
NVSMCH = Mounting Channel
NVSRMC = Recessed Mounting Clip
NVSRMCH = Recessed Mounting Channel

PROJECT

CLIENT

TYPE

Solid State Lighting is sensitive to power fluctuations
Surge protection is highly recommended for all LED lighting products and should be on a designated circuit to protect against premature failure
Lack of surge protection may void your warranty

For more information, please download the
BL LIGHTING catalogue

BL LIGHTING. ILLUMINATE EVERYTHING

111 - 8838 Heather St. Vancouver, BC, Canada. V6P 3S8
P: 1-604-874-4405 E: info@blighting.com
Copyright © BL INNOVATIVE LIGHTING. All Rights Reserved.

blighting.com



BL neonVIEW

Diffused, Flexible, Linear LED Lighting,
Side Emitting, 24VDC, Constant Voltage

SIDE SI RGBW

Side Light, Silicone, Color changing

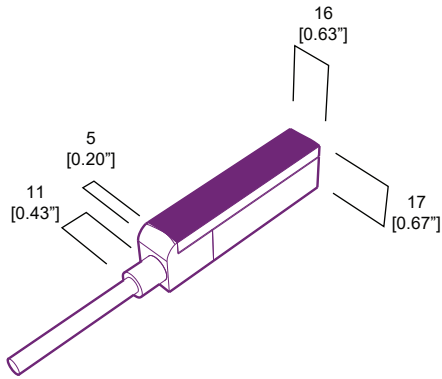
Printed



Dimensions

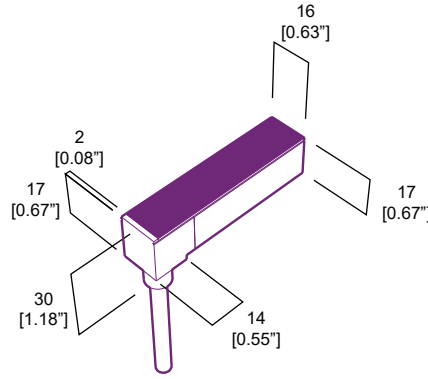
End Lead

Part# NVSTK68SMEC

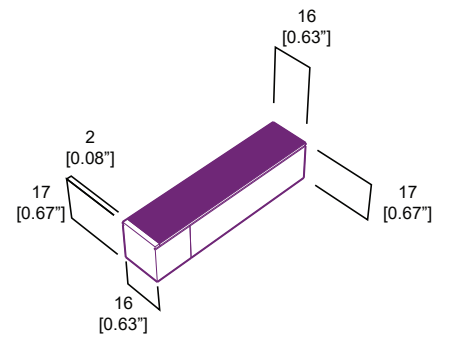


Back Lead

Part# NVSTK68SMBC

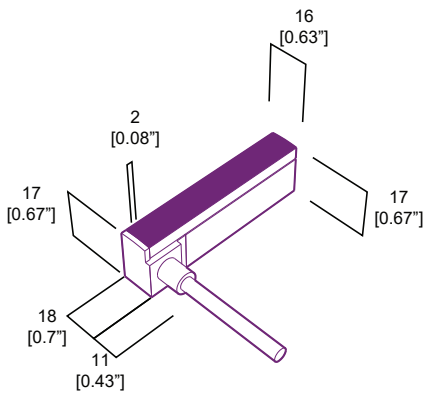


End Cap



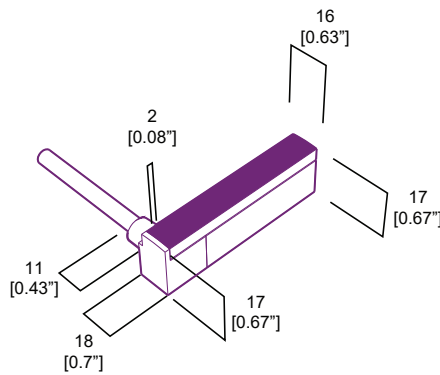
Right Side Lead

Part# NVSTK68SMRSC



Left Side Lead

Part# NVSTK68SMLSC



The tolerance of the Lead is $\pm 0.5\text{mm}$
For more detail, please download the CAD Drawing

PROJECT

CLIENT

TYPE

Solid State Lighting is sensitive to power fluctuations
Surge protection is highly recommended for all LED lighting products and should be on a designated circuit to protect against premature failure
Lack of surge protection may void your warranty

For more information, please download the
BL LIGHTING catalogue

BL LIGHTING. ILLUMINATE EVERYTHING

111 - 8838 Heather St. Vancouver, BC, Canada. V6P 3S8
P: 1-604-874-4405 E: info@blighting.com
Copyright © BL INNOVATIVE LIGHTING. All Rights Reserved.

blighting.com



BL neonVIEW

Diffused, Flexible, Linear LED Lighting,
Side Emitting, 24VDC, Constant Voltage

SIDE SI RGBW

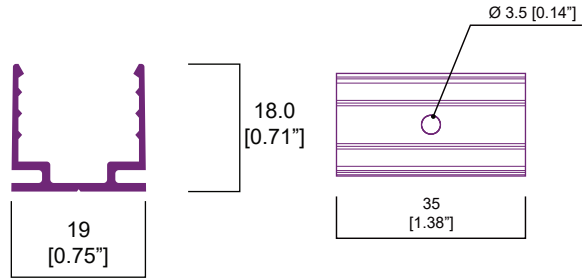
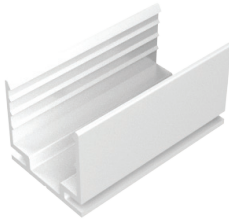
Side Light, Silicone, Color changing

Printed

Accessories (Surface Mounting Clip and Channel)

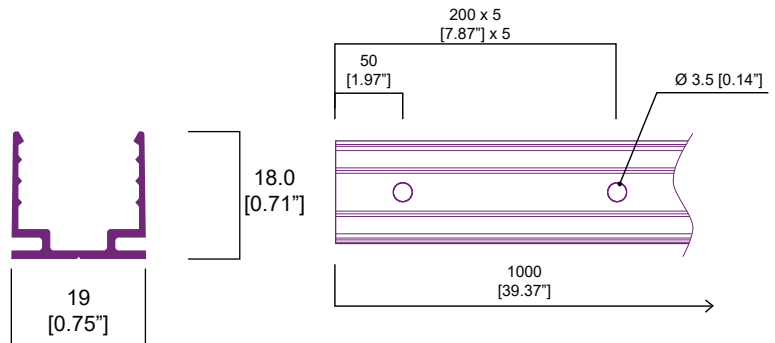
Surface Mounting Clip

Part# NVSCP



Surface Mounting Channel

Part# NVSMCH



For more detail, please download the CAD Drawing

PROJECT

CLIENT

TYPE

Solid State Lighting is sensitive to power fluctuations
Surge protection is highly recommended for all LED lighting products and should be on a designated circuit to protect against premature failure
Lack of surge protection may void your warranty

For more information, please download the
BL LIGHTING catalogue

BL LIGHTING. ILLUMINATE EVERYTHING

111 - 8838 Heather St. Vancouver, BC, Canada. V6P 3S8
P: 1-604-874-4405 E: info@blighting.com
Copyright © BL INNOVATIVE LIGHTING. All Rights Reserved.

blighting.com



BL neonVIEW

Diffused, Flexible, Linear LED Lighting,
Side Emitting, 24VDC, Constant Voltage

SIDE SI RGBW

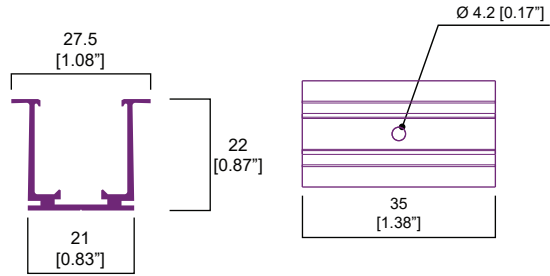
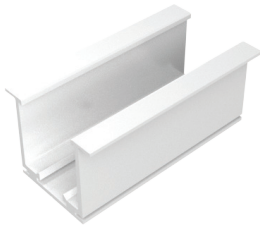
Side Light, Silicone, Color changing

Printed

Accessories (Recessed Mounting Clip and Channel)

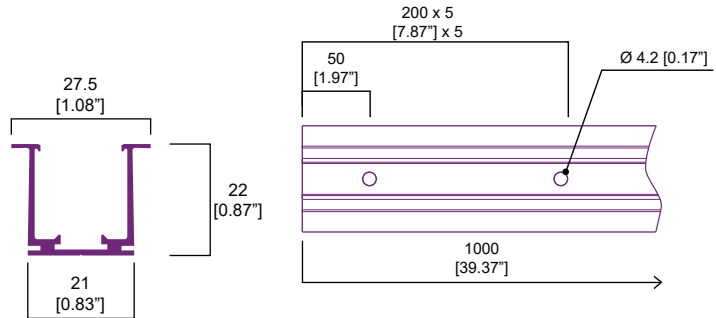
Recessed Mounting Clip

Part# NVSRMC



Recessed Mounting Channel

Part# NVSRMCH



For more detail, please download the CAD Drawing

PROJECT

CLIENT

TYPE

Solid State Lighting is sensitive to power fluctuations
Surge protection is highly recommended for all LED lighting products and should be on a designated circuit to protect against premature failure
Lack of surge protection may void your warranty

For more information, please download the
BL LIGHTING catalogue

BL LIGHTING. ILLUMINATE EVERYTHING

111 - 8838 Heather St. Vancouver, BC, Canada. V6P 3S8
P: 1-604-874-4405 E: info@blighting.com
Copyright © BL INNOVATIVE LIGHTING. All Rights Reserved.

blighting.com

