

BL fixFORM Recessed Shallow 2811

Indoor Recessed Aluminium Channel
Designed for use with BL flexFORM Series

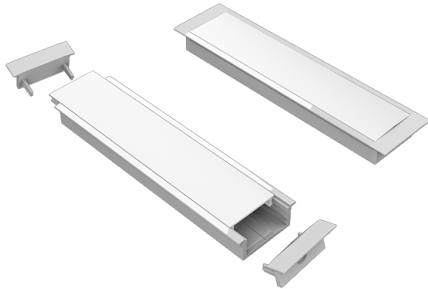


At just 0.43 inches (11mm) high, this compact and versatile recessed profile is easily integrated into nooks, niches and smaller spaces such as shelves, wardrobes, and cabinets, to create a luminous surface anywhere an inconspicuous profile is desired. Sleek and low profile BL fixFORM Recessed Shallow 2811 is designed for our BL flexFORM Series, and provides another layer of protection for the LED along with a polished, professional finish.

Quick Ship

CLIENT	
PROJECT NAME	
LOCATION	
DATE	

Product Detail



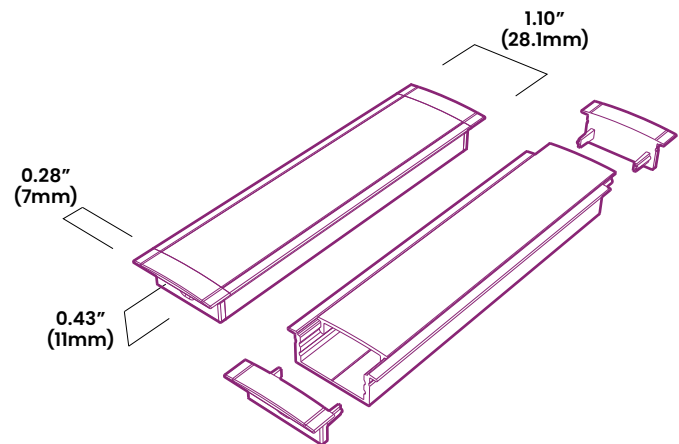
Mechanical	Housing Construction	Aluminum Channel Polycarbonate Optic (75% Trans.) Plastic End Caps Plastic Mounting Clip
	Stock Length	6ft (1.83m)
	Minimum Cut Length	Based on BL flexFORM Increments
Components	BL-fixFORM-RC-SH-2811-CH	Aluminum Base Channel
	BL-fixFORM-RC-SH-2811-LN	Polycarbonate Optic
	BL-fixFORM-RC-SH-2811-EC	Plastic End Cap
	BL-fixFORM-RC-SH-2811-CP	Plastic Mounting Clip
Environmental	Ingress Protection	IP20
	Certifications	cULus



Ordering

Product Code
BL-fixFORM-RC-SH-2811-FR-IP20

Dimensions



BL LIGHTING ILLUMINATE EVERYTHING

111 - 8838 Heather St. Vancouver, BC, Canada. V6P 3S8
P: 1-804-874-4405 E: info@bllighting.com
Copyright © BL INNOVATIVE LIGHTING. All Rights Reserved.

Solid State Lighting is sensitive to power fluctuations. Surge protection is highly recommended for all LED lighting products and should be on a dedicated circuit to protect against premature failure. Lack of surge protection may void your warranty.

Designed & Assembled in North America.

Specifications subject to change without notice. Please refer to our website at bllighting.com for current technical data.

For more information, please download the BL LIGHTING catalog

bllighting.com

