

BL fixFORM RC Shallow

Indoor Recessed Aluminum Profile
Designed for use with **BL flexFORM Series**

2811

Printed

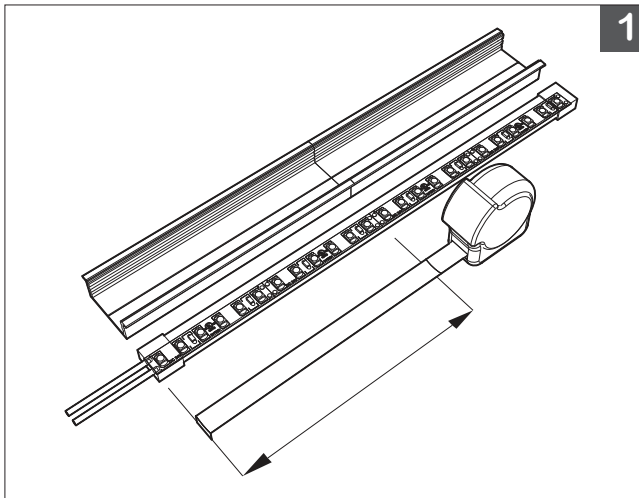


Please note that these instructions are guidelines only and in no way supersede any construction or installation standards.

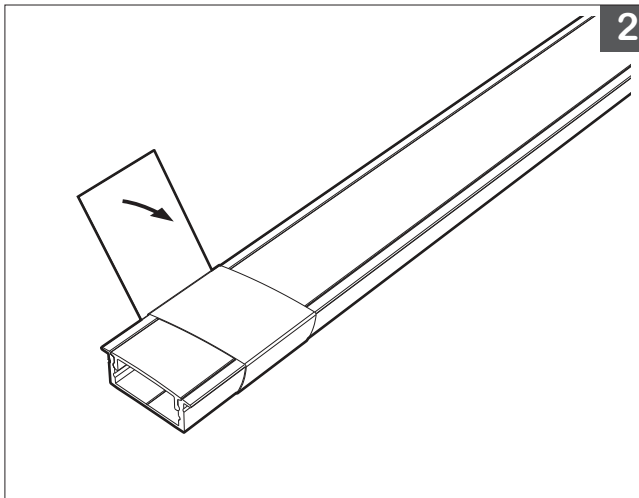
Local building and electrical codes should be consulted before installation.

ATTENTION

- There is potential danger of electrical shock when operating electrical components.
- Make sure power is turned off before installation.
- Allow for heat dissipation and adequate ventilation.



1. Measure **BL fixFORM RC Shallow 2811** in parallel with **BL flexFORM Series** to guarantee accurate coupling of components.



2. Before cutting the profile with the cover, secure the cutting point with self-adhesive tape.

Tip: Cut base and lens together, with lens facing down

PROJECT

CLIENT

TYPE

Solid State Lighting is sensitive to power fluctuations
Surge protection is highly recommended for all LED lighting products and should be on a designated circuit to protect against premature failure
Lack of surge protection may void your warranty

For more information, please download the **BL LIGHTING** catalogue

BL LIGHTING. ILLUMINATE EVERYTHING

111 - 8838 Heather St. Vancouver, BC, Canada. V6P 3S8
P: 1-604-874-4405 E: info@bllighting.com
Copyright © 2017 BL INNOVATIVE LIGHTING. All Rights Reserved.

bllighting.com

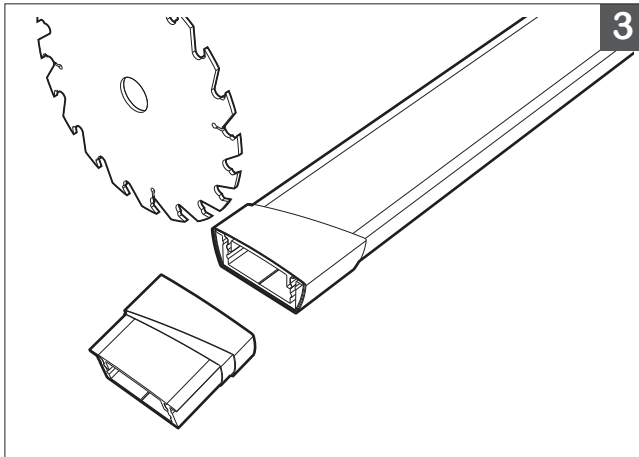


BL fixFORM RC Shallow

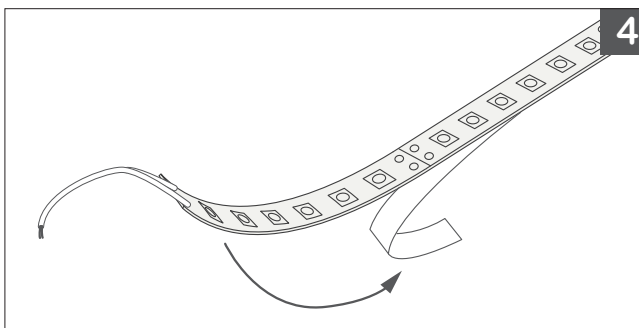
Indoor Recessed Aluminum Profile
Designed for use with **BL flexFORM** Series

2811

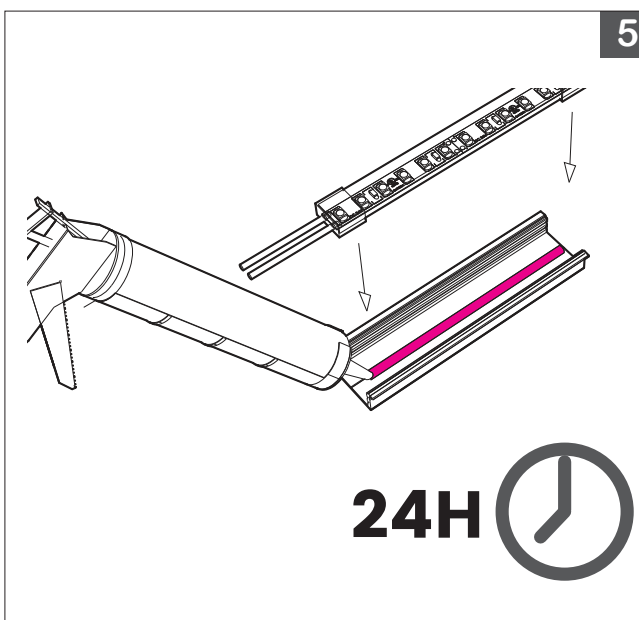
Printed



3.
Use a mechanical saw to cut.



4.
Remove the double sided tape backing, if applicable, and secure the LED tape into the profile using the adhesive provided.

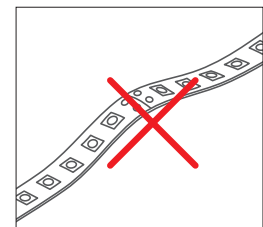
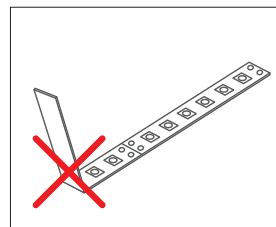


5.
Attach the tape in the extrusion using the adhesive provided on the LED strip, or adhesive tube.

Evenly bead adhesive along surface of **BL fixFORM RC Shallow 2811** base track.

Secure the LED strip gently along the length, without bending or pulling up.

IMPORTANT: Allow adhesive to cure for 24 hours before installation.

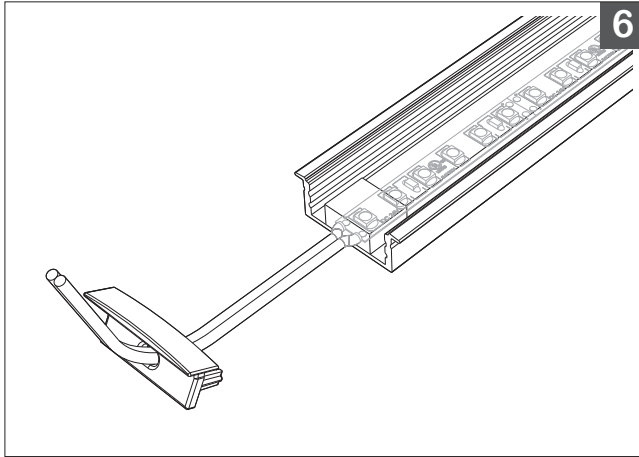


BL fixFORM RC Shallow

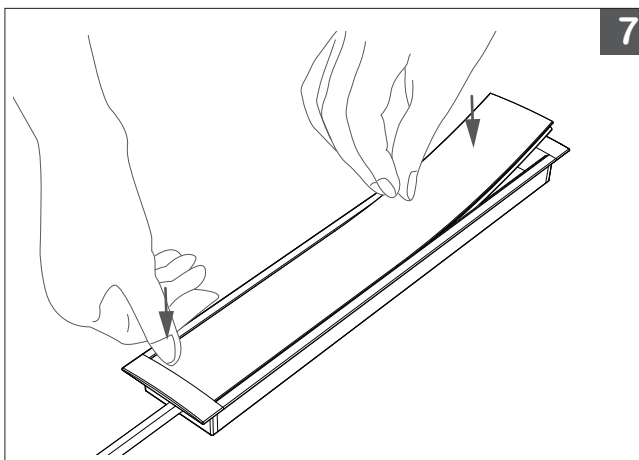
Indoor Recessed Aluminum Profile
Designed for use with **BL flexFORM** Series

2811

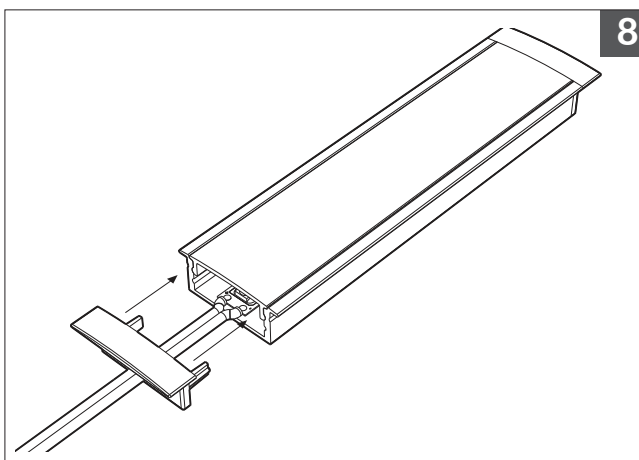
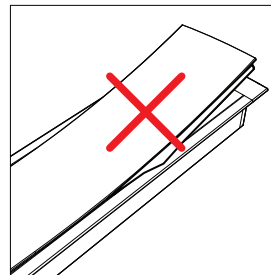
Printed



6.
Gently guide the lead wires through the end caps.



7.
Put one corner in first.
Press in the subsequent sections of the cover.
Be careful not to bend or break the wings of the cover.



8.
Push the endcaps onto the ends of profile.
Ensure a tight fit between the profile and endcaps.



BL fixFORM RC Shallow

Indoor Recessed Aluminum Profile
Designed for use with **BL flexFORM** Series

2811

Printed

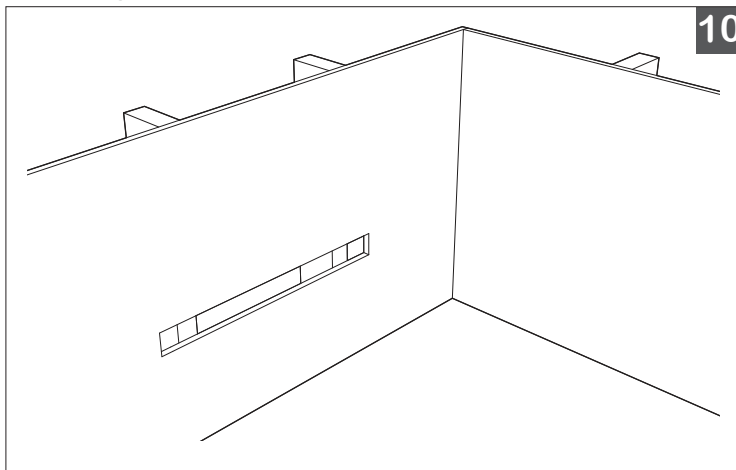


9.

For recessed mounting, the housing may be attached directly into the framing / solid surface and secured either by counter-sinking screws, or push fit and secured with adhesive. Mounting clip fixing is not possible when installed in a recess.

Layout and mark profile position to measured desired length of LED profile including the end caps. The depth of the required cutout into your mounting surface will vary depending on the fixing method, and type of profile used.

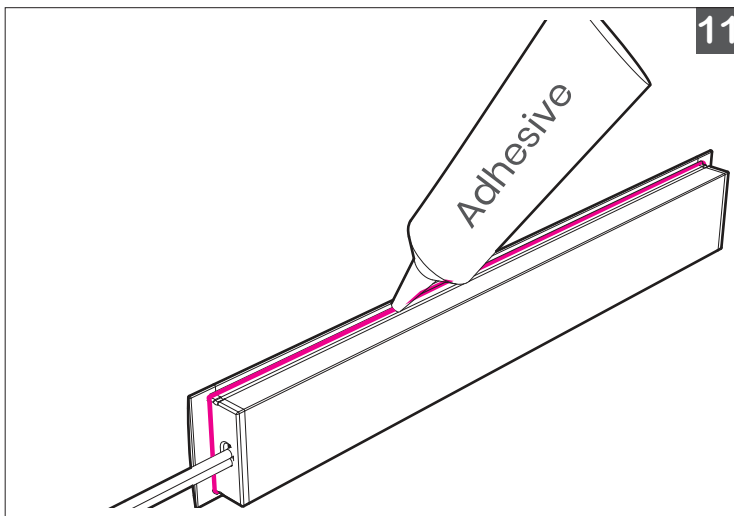
Mounting Method (Push Fit)



10.

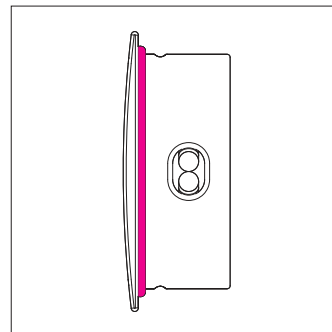
Cut opening into mounting surface using proper width key hole saw and depth setting conforming to your recessed channel type. NOTE: Be sure to cut opening smaller than the wings of the flanged channel to ensure the opening is completely covered. Drill hole into mounting surface for routing power wire as required. Select appropriate adhesive for securing fixture. Apply adhesive to channel assembly and insert into routed surface.

NOTE: Cut routed opening slightly deeper than depth of channel base to accommodate space for adhesive.



11.

Apply a layer of adhesive to the back of the profile.

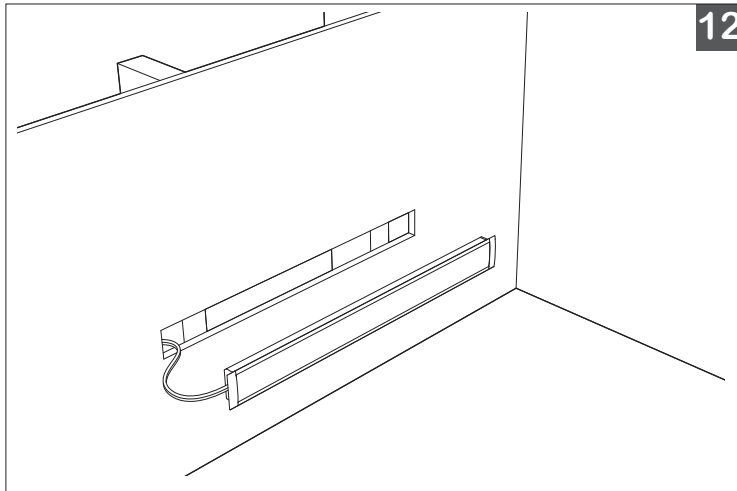


BL fixFORM RC Shallow

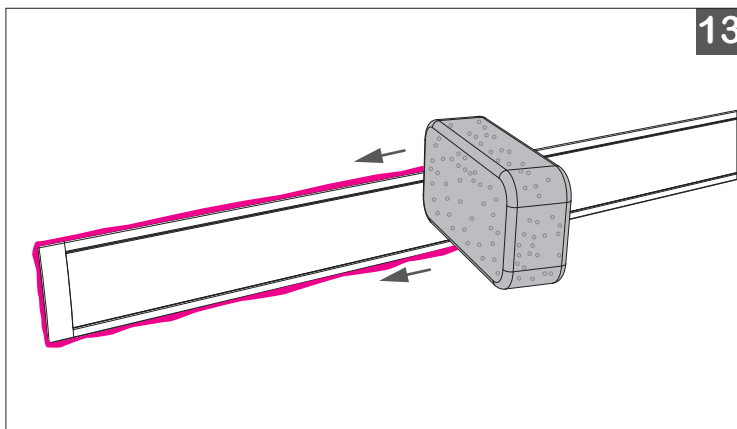
Indoor Recessed Aluminum Profile
Designed for use with **BL flexFORM** Series

2811

Printed



12. Route wires through opening, and push fit assembled profile into place



13. Gently clean the excess adhesive from the profile.

Mounting Method (Direct Screw - Countersink)

Select the smallest available countersink screws that will retain the LED Profile.

Drill a hole specific to your mounting screw diameter in the center of the housing and counter-sink hole so screw will sit flush with housing; ensure there are no burrs around the hole as they can damage the LED.

Anchor housing to framing or solid surface using screws.

Install LED strip over mounting screw.

The LED strip must lie flat against the profile, to preserve the thermal pathway for the LED and provide even illumination.

