

BL controls

Bluetooth Controller
8 Channels

BLE node C8

Printed



Certification



Electrical

Input Voltage	12-24VDC
Max Input current	4A
No-load standby power	0.72 W
Output voltage	12-24VDC
Max. output power	100 mA
Max. output current	4A
Control method	DMX
Operating frequencies	2.401-2.483 Ghz
Max. signal output power	typ. +0dBm, +/-3dBm
Connection Type	Screw Terminals
Operating Temperature	-13°F to 113°F (-25°C to 45°C)
Wire range, solid & Stranded	0.5 - 1.5 mm ² 14 - 22 AWG
Tightening force	0.4 Nm / 2.6lb-in
Max. Signal Range	50m (164ft) - Outdoors 25m (82ft) - Indoors

Mechanical

Housing Construction	Plastic, White
Dimensions	2.2 x 1.2 x 0.7 inch (72.6 x 30.0 x 18 mm)
Weight	0.8oz (23g)
Environmental	IP20

Features

- Up to 127 units form an intelligent mesh network.
- Multiple networks can be set up on a site.
- HSV dimming ensures excellent color consistency
- Smart devices App: iPhone 4S or later, iPad 3 or later, iPod Touch 5th gen or later. Android 4.4 or later devices produced after 2013 with full BT 4.0 support

PROJECT

CLIENT

TYPE

Solid State Lighting is sensitive to power fluctuations
Surge protection is highly recommended for all LED lighting products and should be on a designated circuit to protect against premature failure
Lack of surge protection may void your warranty

For more information, please download the
BL LIGHTING catalogue

BL LIGHTING. ILLUMINATE EVERYTHING

111 - 8838 Heather St. Vancouver, BC, Canada. V6P 3S8
P: 1-604-874-4405 E: info@blighting.com
Copyright © BL INNOVATIVE LIGHTING. All Rights Reserved.

blighting.com



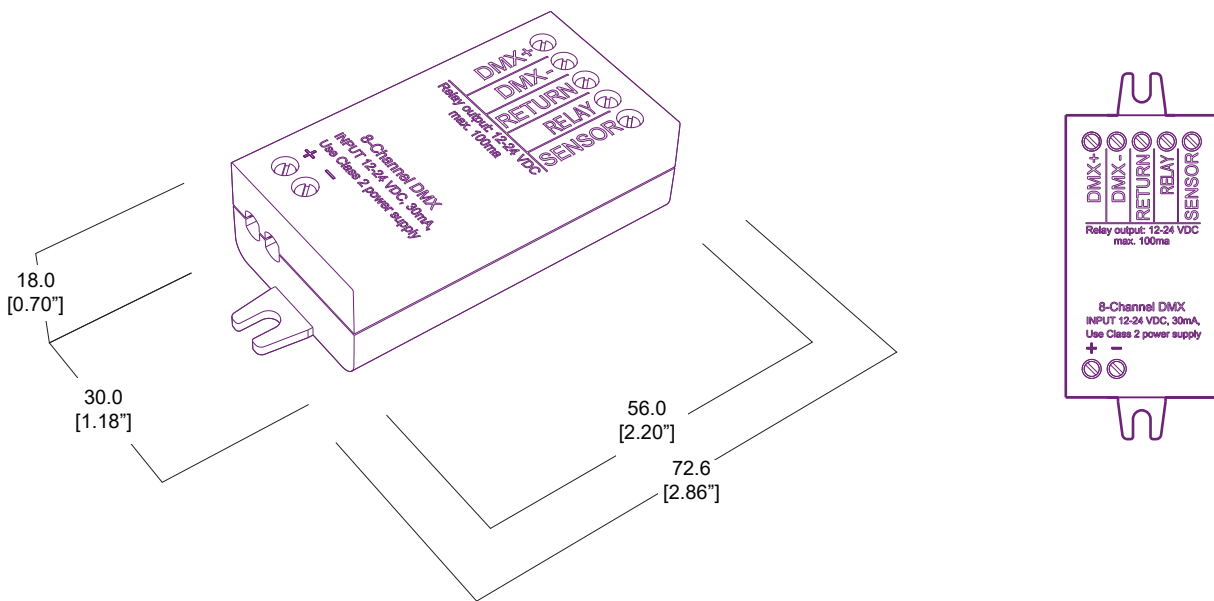
BL controls

Bluetooth Controller
8 Channels

BLE node C8

Printed

Dimensions



PROJECT

CLIENT

TYPE

Solid State Lighting is sensitive to power fluctuations
Surge protection is highly recommended for all LED lighting products and should be on a designated circuit to protect against premature failure
Lack of surge protection may void your warranty

For more information, please download the
BL LIGHTING catalogue

BL LIGHTING. ILLUMINATE EVERYTHING

111 - 8838 Heather St. Vancouver, BC, Canada. V6P 3S8
P: 1-604-874-4405 E: info@blighting.com
Copyright © BL INNOVATIVE LIGHTING. All Rights Reserved.

blighting.com



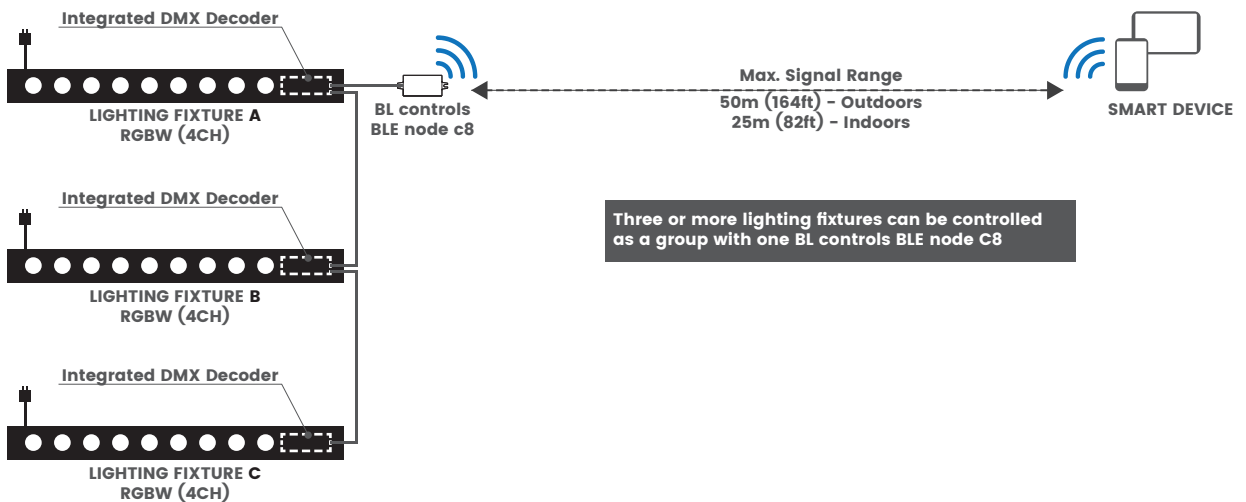
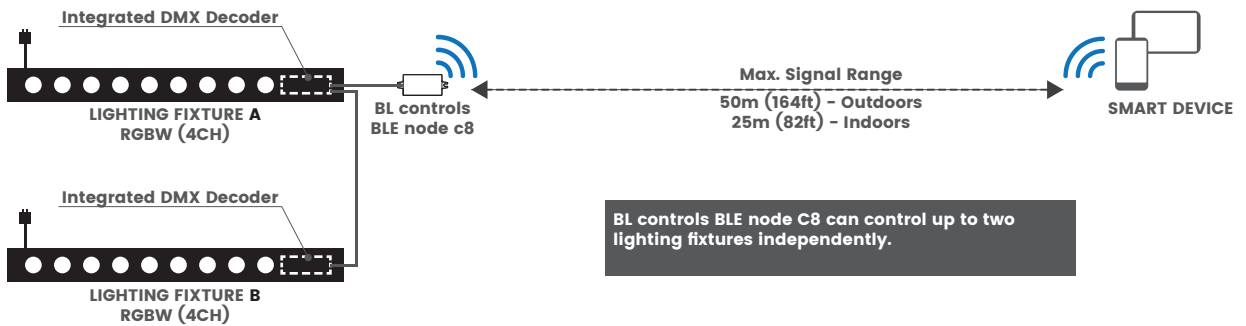
BL controls

Bluetooth Controller
8 Channels

BLE node C8

Printed

Connection options



PROJECT CLIENT TYPE

Solid State Lighting is sensitive to power fluctuations
Surge protection is highly recommended for all LED lighting products and should be on a designated circuit to protect against premature failure
Lack of surge protection may void your warranty

For more information, please download the
BL LIGHTING catalogue

BL LIGHTING. ILLUMINATE EVERYTHING

111 - 8838 Heather St. Vancouver, BC, Canada. V6P 3S8
P: 1-604-874-4405 E: info@blighting.com
Copyright © BL INNOVATIVE LIGHTING. All Rights Reserved.

blighting.com



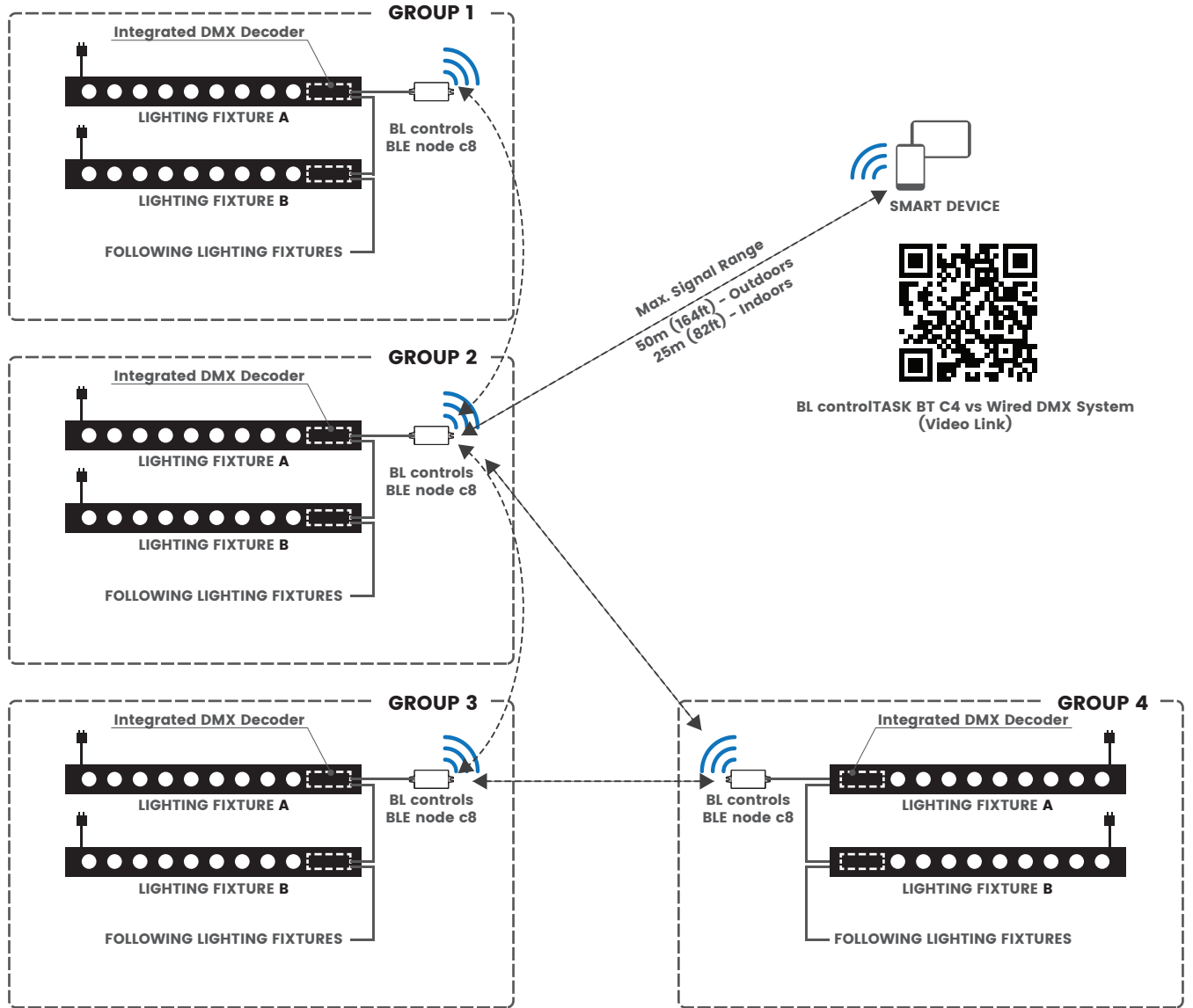
BL controls

Bluetooth Controller
8 Channels

BLE node C8

Printed

Bluetooth mesh network



PROJECT CLIENT TYPE

Solid State Lighting is sensitive to power fluctuations
Surge protection is highly recommended for all LED lighting products and should be on a designated circuit to protect against premature failure
Lack of surge protection may void your warranty

For more information, please download the
BL LIGHTING catalogue

BL LIGHTING. ILLUMINATE EVERYTHING

111 - 8838 Heather St. Vancouver, BC, Canada. V6P 3S8
P: 1-604-874-4405 E: info@blighting.com
Copyright © BL INNOVATIVE LIGHTING. All Rights Reserved.

blighting.com

