

**BL fiberSOURCE**

LED Light Engine Designed for **BL fiberOPTIC**  
120W, Mono or Polychromatic

**LV5 Series**

Printed



**Certification**



**Lighting**



Load	120W
Average Life	50,000 Hours
Lumens	4450 lm (6500K)
Efficacy	37 lm/W (6500K)

**Electrical**

Controls	DMX, 0-10V
Input Voltage	100V - 240V AC
Operating Temperature	32°F to 104°F (0°C to 40°C)

**Mechanical**

Material	Black Finish Iron Plate
Aperture	1.2" (30mm)
Weight	8.4 lbs (3.81kg)
Environmental	IP20

PROJECT

CLIENT

TYPE

Solid State Lighting is sensitive to power fluctuations  
Surge protection is highly recommended for all LED lighting products and should be on a designated circuit to protect against premature failure  
Lack of surge protection may void your warranty

For more information, please download the  
**BL LIGHTING** catalogue

**BL LIGHTING. ILLUMINATE EVERYTHING**

111 - 8838 Heather St. Vancouver, BC, Canada, V6P 3S8  
P: 1-604-874-4405 Toll Free: 1-888-874-4405 E: info@blighting.com  
Copyright © 2019 BL LIGHTING. All Rights Reserved.

**blighting.com**



**BL fiberSOURCE**

LED Light Engine Designed for **BL fiberOPTIC**  
120W, Mono or Polychromatic

**LV5 Series**

Printed

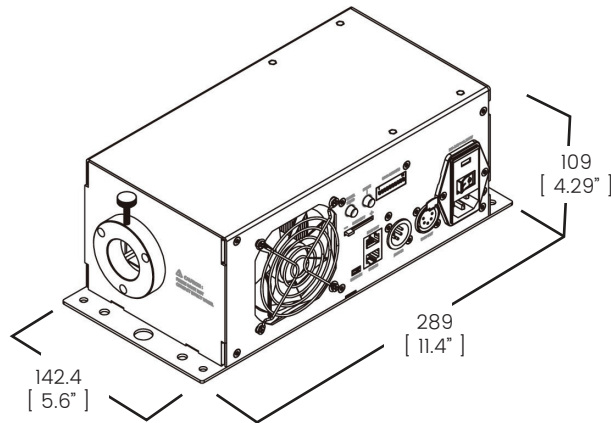
**Performance**

CCT/Color	Load	Lumens	Efficacy
2800K	120 W/Unit	3850 lm	32 lm/W
3000K	120 W/Unit	3950 lm	33 lm/W
4200K	120 W/Unit	4050 lm	34 lm/W
4500K	120 W/Unit	4200 lm	35 lm/W
5000K	120 W/Unit	4300 lm	36 lm/W
6500K	120 W/Unit	4450 lm	37 lm/W
RGBW	120 W/Unit	3500 lm	29 lm/W

**Ordering**

Series	CCT/Color	Control
BL fiberSOURCE LV5	<input type="text"/> 28 = 2800K 30 = 3000K 42 = 4200K 45 = 4500K 50 = 5000K 65 = 6500K M2 = RGBW	<input type="text"/> NO = Non-Dimming TW = Twinkle Wheel 10V = 0-10V DMX = DMX

**Dimensions**



PROJECT

CLIENT

TYPE

Solid State Lighting is sensitive to power fluctuations  
Surge protection is highly recommended for all LED lighting products and should be on a designated circuit to protect against premature failure  
Lack of surge protection may void your warranty

For more information, please download the  
**BL LIGHTING** catalogue

**BL LIGHTING. ILLUMINATE EVERYTHING**

111 - 8838 Heather St. Vancouver, BC, Canada, V6P 3S8  
P: 1-604-874-4405 Toll Free: 1-888-874-4405 E: info@bllighting.com  
Copyright © 2019 BL LIGHTING. All Rights Reserved.

**bllighting.com**

