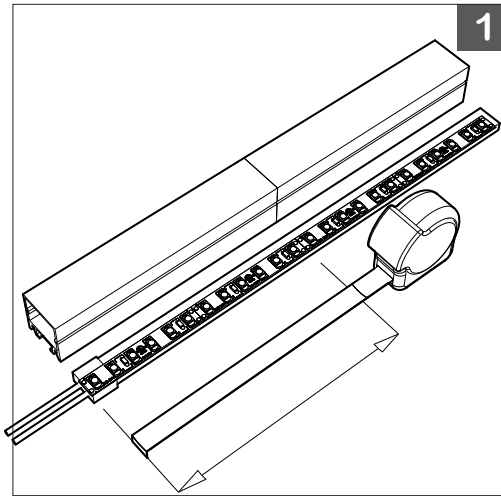


**BL fixFORM SF Series**

Indoor Surface Mount Aluminium Extrusion  
Designed for use with **BL flexFORM NI Series**

**NS**

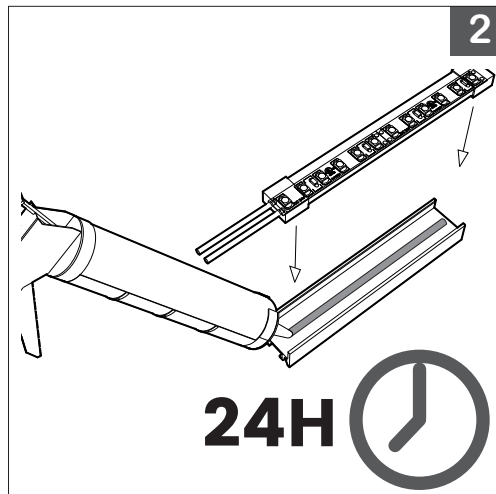
Printed



1.

- A. Measure **BL fixFORM SFNS** in parallel with **BL flexFORM Series** to guarantee accurate coupling of components.
- B. Cut **BL fixFORM SFNS**.

**TIP:** Cut **BL fixFORM SFNS** optic and base track simultaneously.



2.

- A. Evenly bead adhesive along surface of **BL fixFORM SFNS** base track.
- B. Mount **BL flexFORM NI Series** into base track.

**IMPORTANT:** Allow adhesive to cure for 24 hours before installation.

PROJECT

CLIENT

TYPE

Solid State Lighting is sensitive to power fluctuations  
Surge protection is highly recommended for all LED lighting products and should be on a designated circuit to protect against premature failure  
Lack of surge protection may void your warranty

For more information, please download the **BL LIGHTING** catalogue

**BL LIGHTING. ILLUMINATE EVERYTHING**

111 - 8838 Heather St. Vancouver, BC, Canada, V6P 3S8  
P: 1-604-874-4405 F: 1-604-321-0445 E: info@bllighting.com  
Copyright © 2017 BL INNOVATIVE LIGHTING. All Rights Reserved.

[bllighting.com](http://bllighting.com)

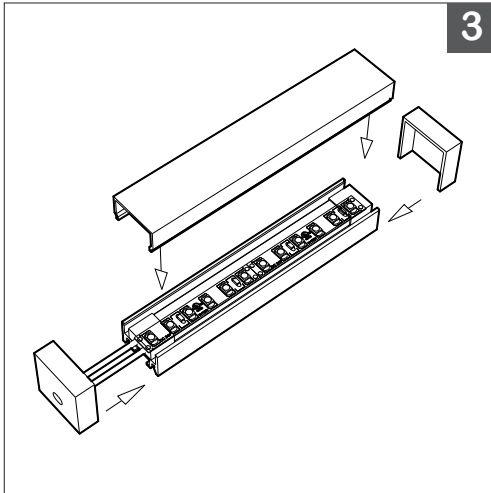


**BL fixFORM SF Series**

Indoor Surface Mount Aluminium Extrusion  
Designed for use with **BL flexFORM NI Series**

**NS**

Printed



3.

- A. Install optic onto base track.
- B. Feed **BL flexFORM NI Series** power lead through designated hole on **BL fixFORM SFNS** end cap.
- C. Place end caps onto base track.

PROJECT

CLIENT

TYPE

Solid State Lighting is sensitive to power fluctuations  
Surge protection is highly recommended for all LED lighting products and should be on a designated circuit to protect against premature failure  
Lack of surge protection may void your warranty

For more information, please download the  
**BL LIGHTING** catalogue

**BL LIGHTING. ILLUMINATE EVERYTHING**

111 - 8838 Heather St. Vancouver, BC, Canada, V6P 3S8  
P: 1-604-874-4405 F: 1-604-321-0445 E: info@bllighting.com  
Copyright © 2017 BL INNOVATIVE LIGHTING. All Rights Reserved.

**bllighting.com**

