

**BL inGRADE**

Circular, Underwater Recessed Luminaire  
20W, 32W, 24VDC Constant Voltage

**UW Series**

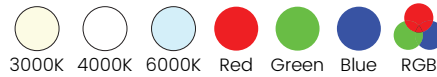
Printed



**Certification**



**Lighting**



Lamp	LED 3-step MacAdam Ellipse
Beam Angle	5°, 15°, 25°, 45°, 60°
Average Life	50,000 Hours
Lumens	* 860 - 960 lm
Efficacy	* 19 - 45 lm/W

**Electrical**

Control	0-10V, MLV, DMX
Input Voltage	24VDC
Frequency	50/60Hz
Load	20-32W
Connections	18AWG, Copper Conductors
Operating Temperature	-13°F to 113°F (-25°C to 45°C)
Cord Length	49' (15m)

**Mechanical**

Housing Construction	Stainless steel housing, Glass
Weight	3.1kg (6.83lb)
Environmental	IP68 (16.4FT)
Max. Submersion Depth	16'-6" (5m)

\* Please refer to the performance table on the following page

PROJECT

CLIENT

TYPE

Solid State Lighting is sensitive to power fluctuations  
Surge protection is highly recommended for all LED lighting products and should be on a designated circuit to protect against premature failure  
Lack of surge protection may void your warranty

For more information, please download the  
**BL LIGHTING** catalogue

**BL LIGHTING. ILLUMINATE EVERYTHING**

111 - 8838 Heather St. Vancouver, BC, Canada. V6P 3S8  
P: 1-604-874-4405 E: info@blighting.com  
Copyright © BL INNOVATIVE LIGHTING. All Rights Reserved.

**blighting.com**



**BL inGRADE**

Circular, Underwater Recessed Luminaire  
20W, 32W, 24VDC Constant Voltage

**UW Series**

Printed

**Performance** \*Beam angle 25°

CCT/Color	Load	Lumens	Efficacy
3000K	20 W	890 lm	45 lm/W
4000K	20 W	920 lm	46 lm/W
6000K	20 W	950 lm	47 lm/W
Red	20 W	300 lm,	15 lm/W
Green	20 W	740 lm	37 lm/W
Blue	20 W	105 lm	5 lm/W
RGB	32 W	1145 lm	36 lm/W

\* Please contact [technical@blighting.com](mailto:technical@blighting.com) to have performance for another beam angle

**Ordering**

Series	CCT/Color	Beam
BL inGRADE UW	<input type="text"/>	<input type="text"/>
	<b>30</b> = 3000K <b>40</b> = 4000K <b>60</b> = 6000K <b>RD</b> = Red <b>GN</b> = Green <b>BE</b> = Blue <b>MI</b> = RGB	<b>5</b> = 5° <b>15</b> = 15° <b>25</b> = 25° <b>45</b> = 45° <b>60</b> = 60°

PROJECT  CLIENT  TYPE

Solid State Lighting is sensitive to power fluctuations  
Surge protection is highly recommended for all LED lighting products and should be on a designated circuit to protect against premature failure  
Lack of surge protection may void your warranty

For more information, please download the  
**BL LIGHTING** catalogue

**BL LIGHTING. ILLUMINATE EVERYTHING**

111 - 8838 Heather St. Vancouver, BC, Canada. V6P 3S8  
P: 1-604-874-4405 E: [info@blighting.com](mailto:info@blighting.com)  
Copyright © BL INNOVATIVE LIGHTING. All Rights Reserved.

[blighting.com](http://blighting.com)



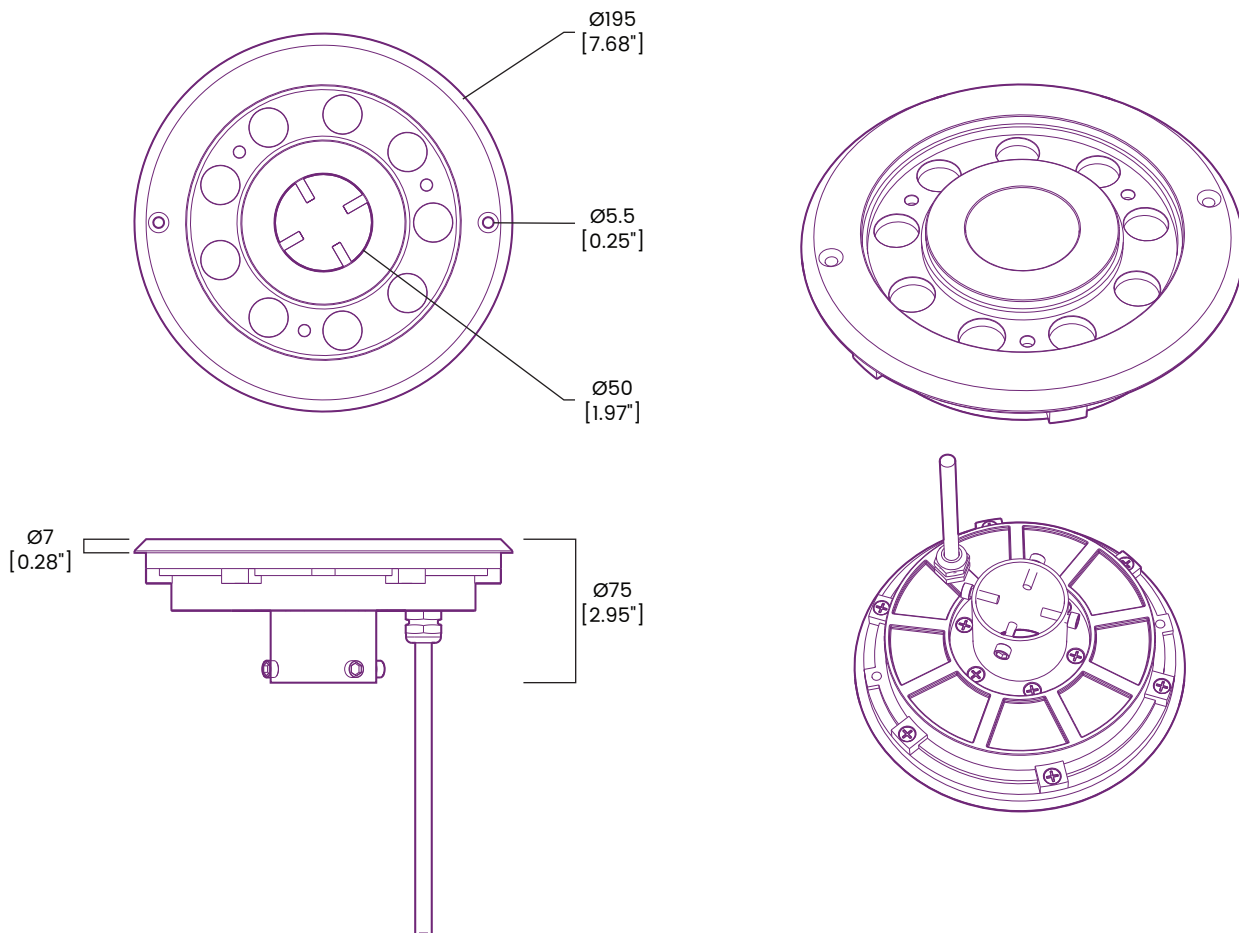
**BL inGRADE**

Circular, Underwater Recessed Luminaire  
20W, 32W, 24VDC Constant Voltage

**UW Series**

Printed

**Dimensions**



PROJECT  CLIENT  TYPE

Solid State Lighting is sensitive to power fluctuations  
Surge protection is highly recommended for all LED lighting products and should be on a designated circuit to protect against premature failure  
Lack of surge protection may void your warranty

For more information, please download the  
**BL LIGHTING** catalogue

**BL LIGHTING. ILLUMINATE EVERYTHING**

111 - 8838 Heather St. Vancouver, BC, Canada. V6P 3S8  
P: 1-604-874-4405 E: info@blighting.com  
Copyright © BL INNOVATIVE LIGHTING. All Rights Reserved.

**blighting.com**

