

BL fixFORM SF Channel

Indoor Surface Mount Aluminium Extrusion
Designed for use with BL flexFORM Series



BL fixFORM SF Channel is a rigid aluminium extrusion that can be used alone as a linear surface mounting track for BL flexFORM Series, or combine with BL fixFORM surface mount optics to create virtually infinite lines of cohesive light, with a variety of lumen packages. Lightweight 6ft lengths may be cut to fit in the field, retrofit BL fixFORM SF Channel easily to existing construction, affixing to surface using metal clips.

Quick Ship

| | |
|---------------------|--|
| CLIENT | |
| PROJECT NAME | |
| LOCATION | |
| DATE | |

Product Detail

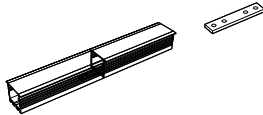


| | | |
|----------------------|--------------------------|---|
| Mechanical | Housing Construction | Aluminum Surface Mount Extrusion. Unit Includes Base Track & Clips |
| | Stock Length | 6ft (1.83m) |
| | Minimum Cut Length | Based on BL flexFORM Increments |
| Components | BL-fixFORM-SF-CH-2212-CH | Aluminum Base Track |
| | BL-fixFORM-SF-CP | Steel Surface Mounting Clips |
| | BL-fixFORM-TC180 | Multi-Track Connector, Flat 180° |
| | BL-fixFORM-TCX90 | Multi-Track Connector, In/Out 90° |
| Environmental | BL-fixFORM-TCF90 | Multi-Track Connector, Flat 90° |
| | Ingress Protection | IP20 |
| Certifications | cULus | |

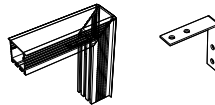


Connector Options

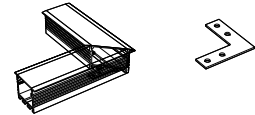
TC180
Multi-Track Connector, Flat 180°



TCX90
Multi-Track Connector, In/Out 90°



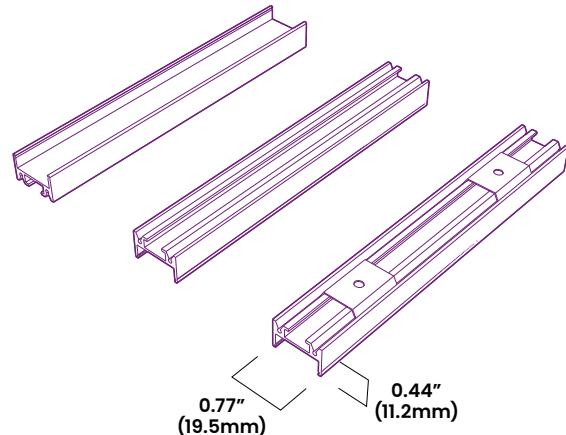
TCF90
Multi-Track Connector, Flat 90°



Ordering

| |
|--------------------------|
| Product Code |
| BL-fixFORM-SF-CH-2212-CH |

Dimensions



Custom channel colors are available, please consult BL Lighting for more information.

BL LIGHTING
ILLUMINATE EVERYTHING

111 - 8838 Heather St. Vancouver, BC, Canada. V6P 3S8
P: 1-804-874-4405 E: info@blighting.com
Copyright © BL INNOVATIVE LIGHTING. All Rights Reserved.

Solid State Lighting is sensitive to power fluctuations. Surge protection is highly recommended for all LED lighting products and should be on a dedicated circuit to protect against premature failure. Lack of surge protection may void your warranty.

Designed & Assembled in North America.

Specifications subject to change without notice. Please refer to our website at blighting.com for current technical data.

For more information, please download the BL LIGHTING catalog

blighting.com

