

BL fixFORM RC Series

Outdoor Recessed Aluminium Extrusion
Designed for use with **BL flexFORM** Series

65

Printed



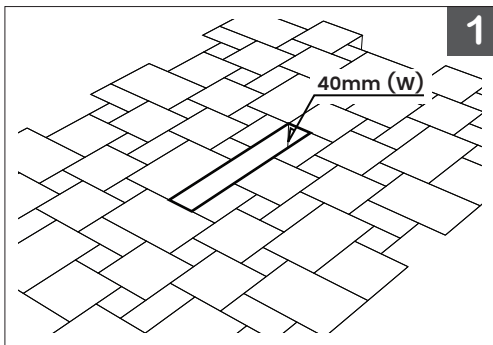
Please note that these instructions are guidelines only and in no way supersede any construction or installation standards.

ATTENTION

- There is potential danger of electrical shock when operating electrical components.
- Make sure power is turned off before installation.
- Allow for heat dissipation and adequate ventilation.

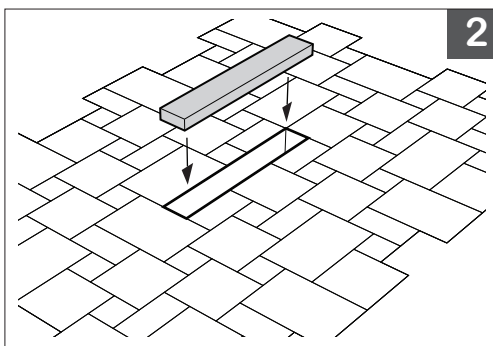
Local building and electrical codes should be consulted before installation.

FOR PAVERS AND TILE INSTALLATION



1. Create gap for **RC65** between pavers or tile.

NOTE: The recessed depth must align **RC65** flush to ground level. Trim must not be above or below surface level to prevent water from accumulating on lens.



2. Insert foam base. Add or shave down foam base until optimal height is achieved for flush installation of **RC65**.

NOTE: Cut out space or leave gap in foam base for running leads.

PROJECT

CLIENT

TYPE

Solid State Lighting is sensitive to power fluctuations
Surge protection is highly recommended for all LED lighting products and should be on a designated circuit to protect against premature failure
Lack of surge protection may void your warranty

For more information, please download the **BL LIGHTING** catalogue

BL LIGHTING. ILLUMINATE EVERYTHING

111 - 8838 Heather St. Vancouver, BC, Canada. V6P 3S8
P: 1-604-874-4405 F: 1-604-321-0445 E: info@bllighting.com
Copyright © 2017 BL INNOVATIVE LIGHTING. All Rights Reserved.

bllighting.com



BL fixFORM RC Series

Outdoor Recessed Aluminium Extrusion
Designed for use with **BL flexFORM** Series

65

Printed

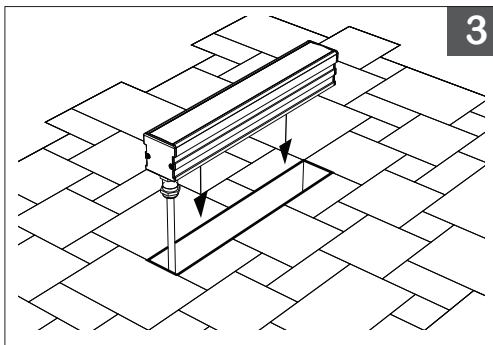


Please note that these instructions are guidelines only and in no way supersede any construction or installation standards.

Local building and electrical codes should be consulted before installation.

ATTENTION

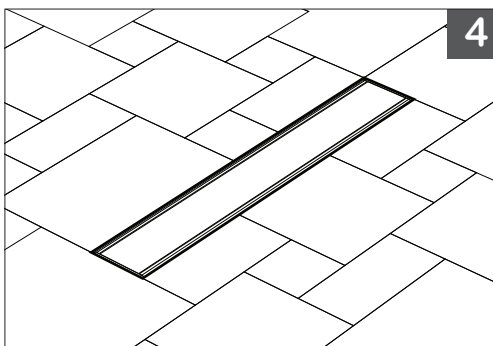
- There is potential danger of electrical shock when operating electrical components.
- Make sure power is turned off before installation.
- Allow for heat dissipation and adequate ventilation.



3

3. Install and wire **RC65**.

TIP: Listed flexible conduit is recommended for in and out connections so to ease fixture position and adjustment during installation.



4

4.

- A. Fine-tune leveling for flush fit, if required.
- B. Fill gaps with putty, sand, pea-gravel or cement. Clean off excess.

PROJECT

CLIENT

TYPE

Solid State Lighting is sensitive to power fluctuations
Surge protection is highly recommended for all LED lighting products and should be on a designated circuit to protect against premature failure
Lack of surge protection may void your warranty

For more information, please download the
BL LIGHTING catalogue

BL LIGHTING. ILLUMINATE EVERYTHING

111 - 8838 Heather St. Vancouver, BC, Canada. V6P 3S8
P: 1-604-874-4405 F: 1-604-321-0445 E: info@bllighting.com
Copyright © 2017 BL INNOVATIVE LIGHTING. All Rights Reserved.

bllighting.com

