

BL driveLINE MG Series

Dimmable (Phase) LED Driver
20W, Constant Voltage, 24VDC

20

Printed



Certification



Electrical

Control	ELV/Standard/Triac
Input Voltage	120VAC
Input Frequency	60 Hz
Max Input Current	120VAC - 0.87A
Output Voltage	24VDC, Constant Voltage
Load	20W
Max Current	0.87A
Connections	18 AWG, Copper Conductors
Min Load	20% - 25%
Power Factor	0.95
Operating Temperature	-20°C to 70°C
Circuit	Class 2

Mechanical

Housing Construction	Aluminium
Weight	482g (17oz)
Environmental	NEMA 3R

PROJECT

CLIENT

TYPE

Solid State Lighting is sensitive to power fluctuations
Surge protection is highly recommended for all LED lighting products and should be on a designated circuit to protect against premature failure
Lack of surge protection may void your warranty

For more information, please download the
BL LIGHTING catalogue

BL LIGHTING. ILLUMINATE EVERYTHING

111 - 8838 Heather St. Vancouver, BC, Canada. V6P 3S8
P: 1-604-874-4405 F: 1-604-321-0445 E: info@bllighting.com
Copyright © 2017 BL INNOVATIVE LIGHTING. All Rights Reserved.

bllighting.com



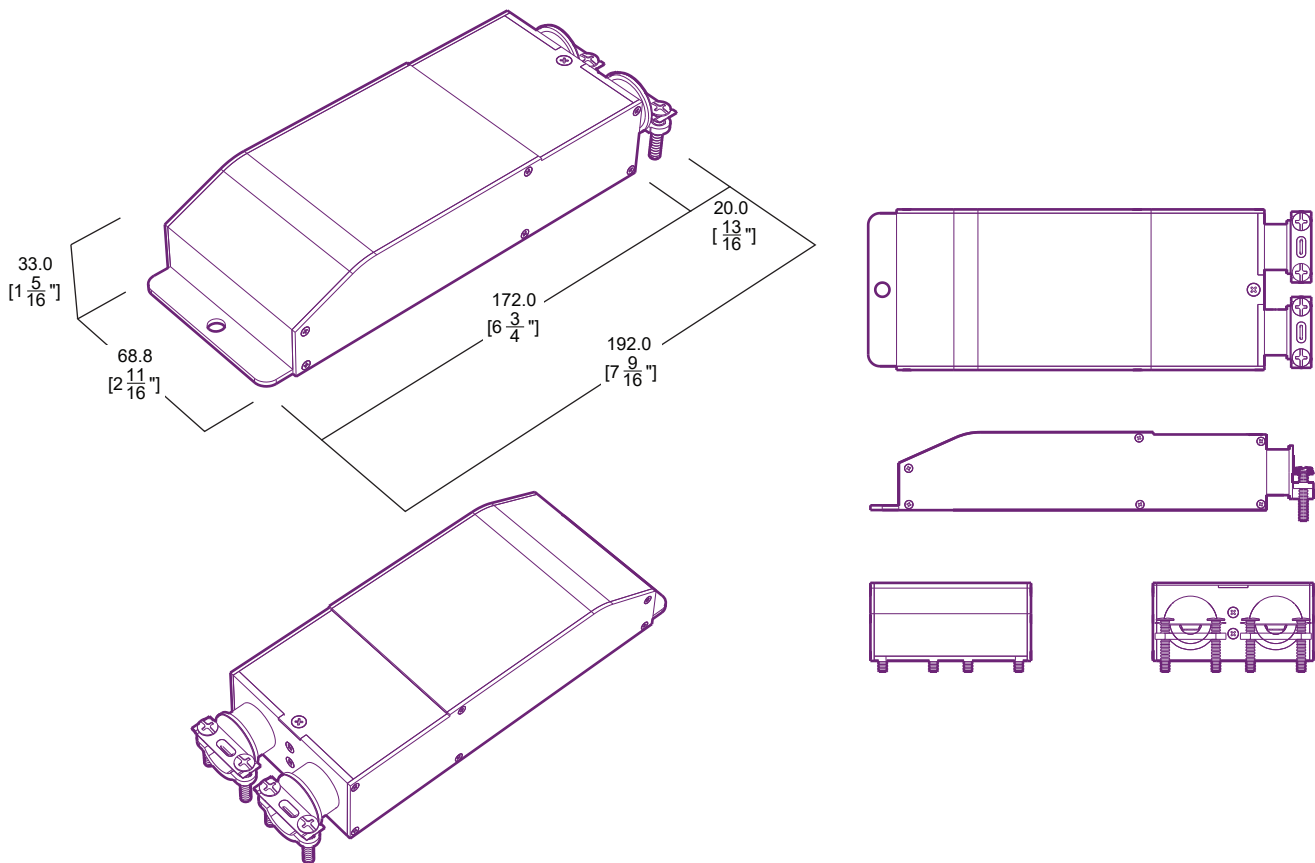
BL driveLINE MG Series

Dimmable (Phase) LED Driver
20W, Constant Voltage, 24VDC

20

Printed

Dimensions



PROJECT

CLIENT

TYPE

Solid State Lighting is sensitive to power fluctuations
Surge protection is highly recommended for all LED lighting products and should be on a designated circuit to protect against premature failure
Lack of surge protection may void your warranty

For more information, please download the
BL LIGHTING catalogue

BL LIGHTING. ILLUMINATE EVERYTHING

111 - 8838 Heather St. Vancouver, BC, Canada, V6P 3S8
P: 1-604-874-4405 F: 1-604-321-0445 E: info@bllighting.com
Copyright © 2017 BL INNOVATIVE LIGHTING. All Rights Reserved.

bllighting.com

