

**BL neonVIEW**

Diffused, Flexible, Linear LED Lighting  
Dome Profile, 24VDC, Constant Voltage

**DM Series**

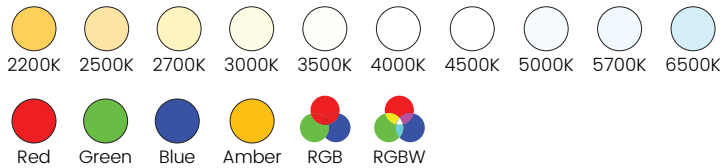
Printed



**Certification**



**Lighting**



Lamp Load	LED, SMD 5050, 18 Diodes/FT
Beam Angle	* 3.66 W/FT (White) 270°
Average Life	50,000 Hours
Lumens	* 116 lm/FT (White)
Efficacy	* 32 lm/W (White)

**Electrical**

Control	0-10V, MLV, DMX
Input Voltage	24VDC
Max Input Current	4.12A
Connections	18AWG, Copper Conductors
Operating Temperature	-4°F to 104°F (-20°C to 40°C)
Circuit	Class 2

**Mechanical**

Housing Construction	Injection Moulded White PVC
Cutting Increments	* 3.93" (10cm)
Maximum Run Length	* 26' 7" (8.1M)
Medial Bend Radius	2.36" (60mm), , bend laterally
Environmental	IP65, IP67 (Seamless), IP68
Mounting	Clip, Track

**Accessories**

NVTKxx	BL neonVIEW DM Termination Kit, Factory Installed
NVJCxx	BL neonVIEW DM Jumper Cable, Factory Installed
NVCP	BL neonVIEW DM Surface Mounting Clip
NVTRK	BL neonVIEW DM Surface Mounting Channel

\* Please refer to the performance table on the following page

PROJECT

CLIENT

TYPE

Solid State Lighting is sensitive to power fluctuations  
Surge protection is highly recommended for all LED lighting products and should be on a designated circuit to protect against premature failure  
Lack of surge protection may void your warranty

For more information, please download the  
**BL LIGHTING** catalogue

**BL LIGHTING. ILLUMINATE EVERYTHING**

111 - 8838 Heather St. Vancouver, BC, Canada. V6P 3S8  
P: 1-604-874-4405 E: info@blighting.com  
Copyright © BL INNOVATIVE LIGHTING. All Rights Reserved.

**blighting.com**



**BL neonVIEW**

Diffused, Flexible, Linear LED Lighting  
Dome Profile, 24VDC, Constant Voltage

**DM Series**

Printed

**Performance**

CCT/Color	Load	Lumens	Efficacy	Max. Length	Cutting Increments
2200	3.66 W/FT	104 lm/FT	28 lm/W	26 ft 7 in	3.93 in
2500	3.66 W/FT	104 lm/FT	28 lm/W	26 ft 7 in	3.93 in
2700	3.66 W/FT	104 lm/FT	28 lm/W	26 ft 7 in	3.93 in
3000	3.66 W/FT	104 lm/FT	28 lm/W	26 ft 7 in	3.93 in
3500	3.66 W/FT	116 lm/FT	32 lm/W	26 ft 7 in	3.93 in
4000	3.66 W/FT	116 lm/FT	32 lm/W	26 ft 7 in	3.93 in
4500	3.66 W/FT	116 lm/FT	32 lm/W	26 ft 7 in	3.93 in
5000	3.66 W/FT	116 lm/FT	32 lm/W	26 ft 7 in	3.93 in
5700	3.66 W/FT	116 lm/FT	32 lm/W	26 ft 7 in	3.93 in
6500	3.66 W/FT	116 lm/FT	32 lm/W	26 ft 7 in	3.93 in
Red	2.20 W/FT	37 lm/FT	17 lm/W	43 ft 10 in	6.57 in
Green	3.66 W/FT	85 lm/FT	23 lm/W	26 ft 7 in	3.93 in
Blue	3.66 W/FT	12 lm/FT	3 lm/W	26 ft 7 in	3.93 in
Amber	2.20 W/FT	37 lm/FT	17 lm/W	43 ft 10 in	6.57 in
RGB	3.66 W/FT	40 lm/FT	11 lm/W	22 ft 12 in	3.93 in
RGBW	4.57 W/FT	107 lm/FT	24 lm/W	16 ft 4 in	3.93 in

**Ordering**

Series	CCT/Color	Ingress Protection	Connector Orientation**
BL neonVIEW DM	<input type="text"/>	<input type="text"/>	<input type="text"/>
	22 = 2200 25 = 2500 27 = 2700 30 = 3000 35 = 3500 40 = 4000 45 = 4500 50 = 5000 57 = 5700 65 = 6500 RD = Red GN = Green BE = Blue AR = Amber M1 = RGB M2 = RGBW	65 = IP65 67 = IP67* 68 = IP68	BC = Back EC = End RSC = Right Side LSC = Left Side

\* End Cap seamless option only available for IP67

\*\* Lead Orientation choice only available for IP67, 68

PROJECT  CLIENT  TYPE

Solid State Lighting is sensitive to power fluctuations  
Surge protection is highly recommended for all LED lighting products and should be on a designated circuit to protect against premature failure  
Lack of surge protection may void your warranty

For more information, please download the  
**BL LIGHTING** catalogue

**BL LIGHTING. ILLUMINATE EVERYTHING**

111 - 8838 Heather St. Vancouver, BC, Canada. V6P 3S8  
P: 1-604-874-4405 E: info@blighting.com  
Copyright © BL INNOVATIVE LIGHTING. All Rights Reserved.

**blighting.com**



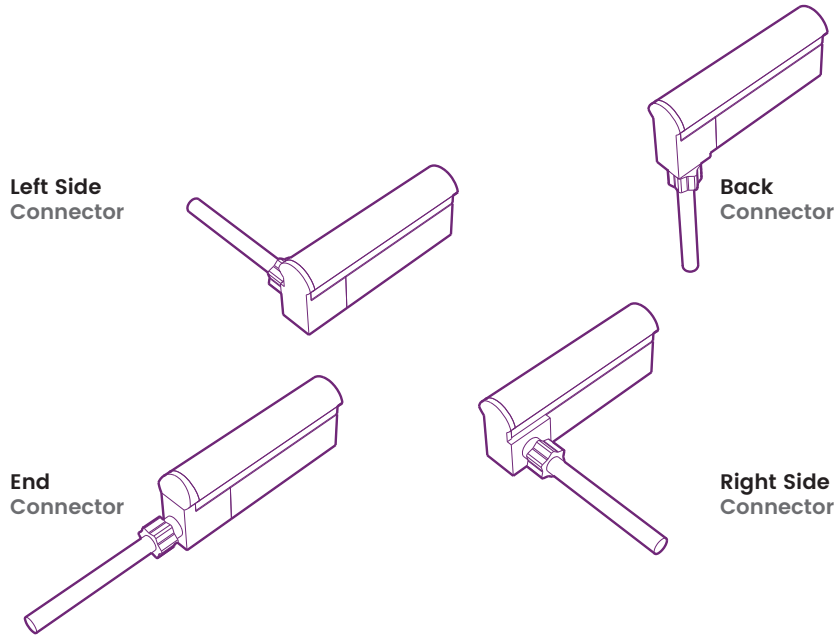
**BL neonVIEW**

Diffused, Flexible, Linear LED Lighting  
Dome Profile, 24VDC, Constant Voltage

**DM Series**

Printed

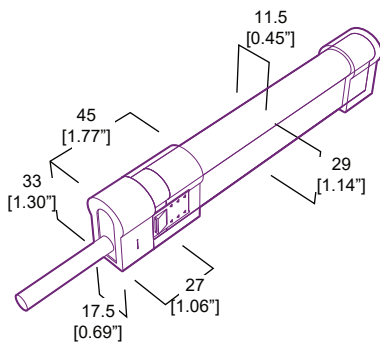
**Connector Orientation**



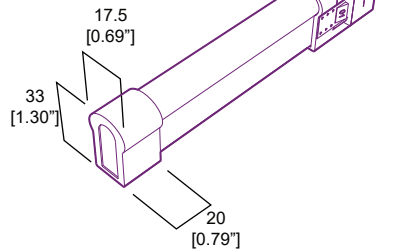
**Dimensions (IP65)**

**End Connector**

Part# NVTK65



**End Cap**



PROJECT

CLIENT

TYPE

Solid State Lighting is sensitive to power fluctuations  
Surge protection is highly recommended for all LED lighting products and should be on a designated circuit to protect against premature failure  
Lack of surge protection may void your warranty

For more information, please download the  
**BL LIGHTING** catalogue

**BL LIGHTING. ILLUMINATE EVERYTHING**

111 - 8838 Heather St. Vancouver, BC, Canada. V6P 3S8  
P: 1-604-874-4405 E: info@blighting.com  
Copyright © BL INNOVATIVE LIGHTING. All Rights Reserved.

**blighting.com**



**BL neonVIEW**

Diffused, Flexible, Linear LED Lighting  
Dome Profile, 24VDC, Constant Voltage

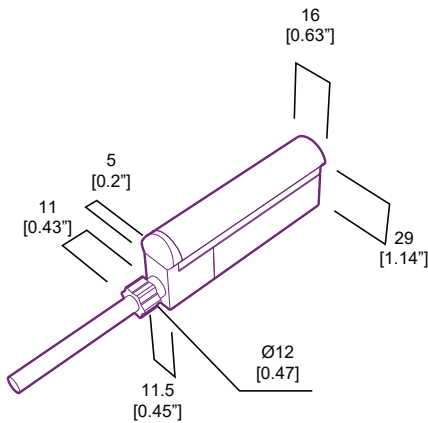
**DM Series**

Printed

**Dimensions (IP67 Seamless)**

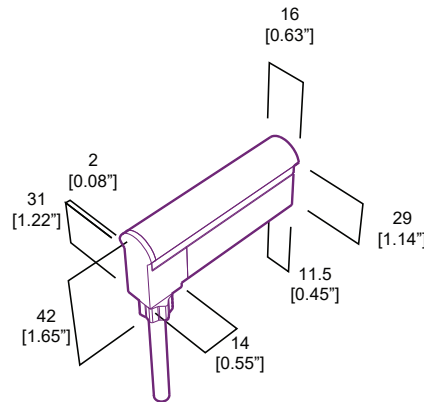
**End Connector**

Part# NVTK67SMEC

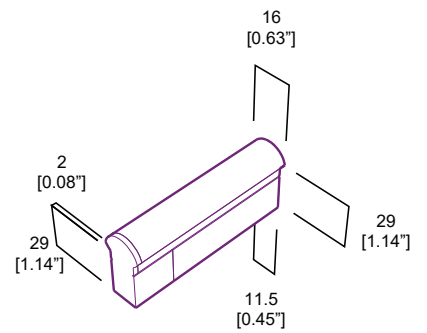


**Back Connector**

Part# NVTK67SMBC

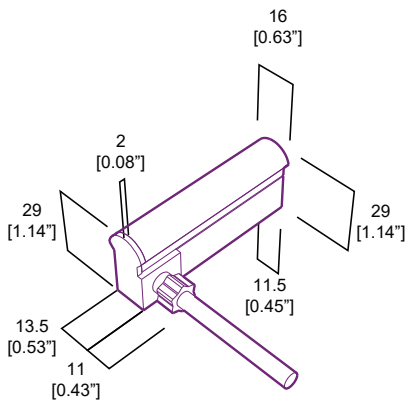


**End Cap**



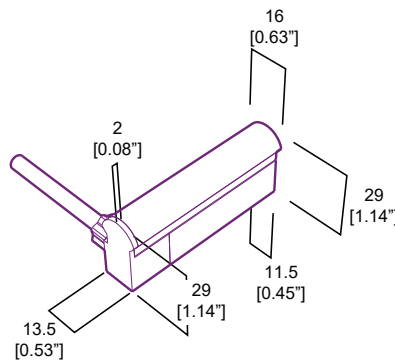
**Right Side Connector**

Part# NVTK67SMRSC



**Left Side Connector**

Part# NVTK67SMLSC



PROJECT

CLIENT

TYPE

Solid State Lighting is sensitive to power fluctuations  
Surge protection is highly recommended for all LED lighting products and should be on a designated circuit to protect against premature failure  
Lack of surge protection may void your warranty

For more information, please download the  
**BL LIGHTING** catalogue

**BL LIGHTING. ILLUMINATE EVERYTHING**

111 - 8838 Heather St. Vancouver, BC, Canada. V6P 3S8  
P: 1-604-874-4405 E: info@blighting.com  
Copyright © BL INNOVATIVE LIGHTING. All Rights Reserved.

**blighting.com**



**BL neonVIEW**

Diffused, Flexible, Linear LED Lighting  
Dome Profile, 24VDC, Constant Voltage

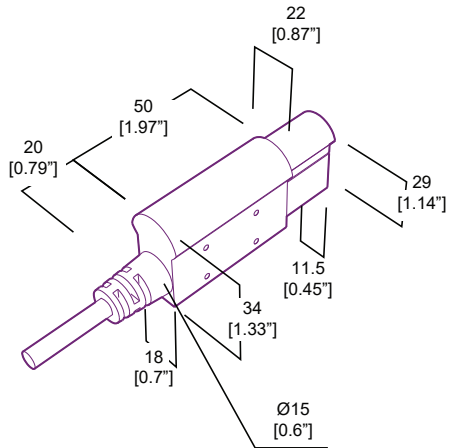
**DM Series**

Printed

**Dimensions (IP68)**

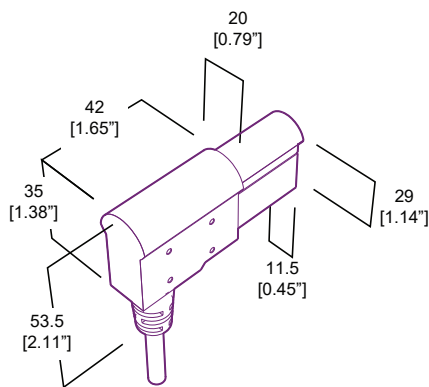
**End Connector**

Part# NVTK68EC

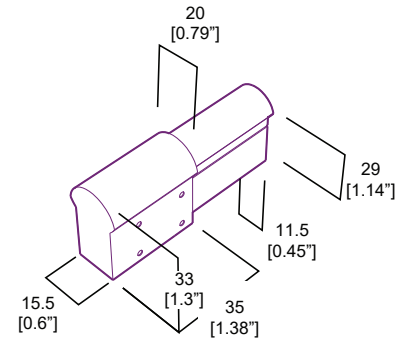


**Back Connector**

Part# NVTK68BC

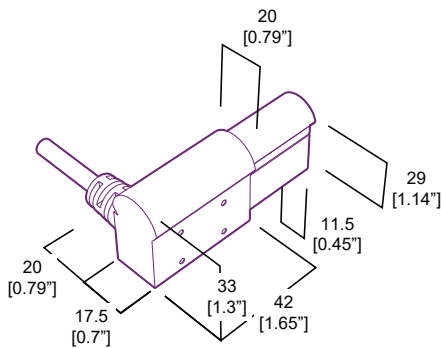


**End Cap**



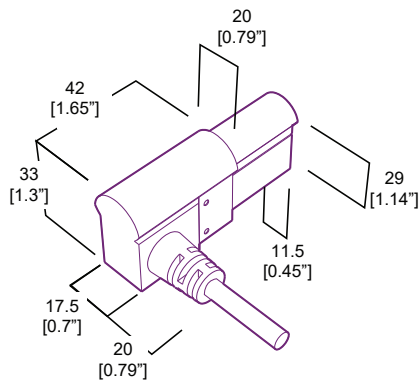
**Left Side Connector**

Part# NVTK68RSC



**Right Side Connector**

Part# NVTK68LSC



PROJECT

CLIENT

TYPE

Solid State Lighting is sensitive to power fluctuations  
Surge protection is highly recommended for all LED lighting products and should be on a designated circuit to protect against premature failure  
Lack of surge protection may void your warranty

For more information, please download the  
**BL LIGHTING** catalogue

**BL LIGHTING. ILLUMINATE EVERYTHING**

111 - 8838 Heather St. Vancouver, BC, Canada. V6P 3S8  
P: 1-604-874-4405 E: info@blighting.com  
Copyright © BL INNOVATIVE LIGHTING. All Rights Reserved.

[blighting.com](http://blighting.com)

