

BL neonVIEW

Diffused, Flexible, Linear LED Lighting
Side Emitting, 24VDC, Constant Voltage

SL Series

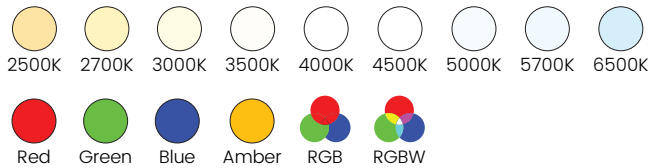
Printed



Certification



Lighting



Lamp Load	LED, SMD 5050, 33 Diodes/FT
Beam Angle	* 3.66 W/FT (White) 120°
Average Life	50,000 Hours
Lumens	* 152 lm/FT (White 4000K)
Efficacy	* 41 lm/W (White 4000K)

Electrical

Control	0-10V, MLV, DMX
Input Voltage	24VDC
Max Input Current	4.12A (White)
Connections	18AWG, Copper Conductors
Operating Temperature	-4°F to 104°F (-20°C to 40°C)
Circuit	Class 2

Mechanical

Housing Construction	Injection Moulded White PVC
Cutting Increments	* 2.19" (5.56cm)
Maximum Run Length	* 27' (8.3M)
Medial Bend Radius	5.90" (150mm), bend medially
Environmental	IP67 Seamless Injection
Mounting	Clip, Track

Accessories

NVTKxx	BL neonVIEW SL Termination Kit, Factory Installed
NVJCxx	BL neonVIEW SL Jumper Cable, Factory Installed
NVCP	BL neonVIEW SL Surface Mounting Clip
NVTRK	BL neonVIEW SL Surface Mounting Channel

* Please refer to the performance table on the following page

PROJECT

CLIENT

TYPE

Solid State Lighting is sensitive to power fluctuations
Surge protection is highly recommended for all LED lighting products and should be on a designated circuit to protect against premature failure
Lack of surge protection may void your warranty

For more information, please download the
BL LIGHTING catalogue

BL LIGHTING. ILLUMINATE EVERYTHING

111 - 8838 Heather St. Vancouver, BC, Canada. V6P 3S8
P: 1-604-874-4405 F: 1-604-321-0445 E: info@bllighting.com
Copyright © 2017 BL INNOVATIVE LIGHTING. All Rights Reserved.

bllighting.com



BL neonVIEW

Diffused, Flexible, Linear LED Lighting
Side Emitting, 24VDC, Constant Voltage

SL Series

Printed

Performance

CCT/Color	Load	Lumens	Efficacy	Max. Length	Cutting Increments
2500	3.66 W/FT	147 lm/FT	40 lm/W	26 ft 7 in	2.19 in
2700	3.66 W/FT	145 lm/FT	40 lm/W	26 ft 7 in	2.19 in
3000	3.66 W/FT	151 lm/FT	41 lm/W	26 ft 7 in	2.19 in
3500	3.66 W/FT	152 lm/FT	42 lm/W	26 ft 7 in	2.19 in
4000	3.66 W/FT	152 lm/FT	41 lm/W	26 ft 7 in	2.19 in
4500	3.66 W/FT	139 lm/FT	38 lm/W	26 ft 7 in	2.19 in
5000	3.66 W/FT	146 lm/FT	40 lm/W	26 ft 7 in	2.19 in
5700	3.66 W/FT	127 lm/FT	35 lm/W	26 ft 7 in	2.19 in
6500	3.66 W/FT	127 lm/FT	35 lm/W	26 ft 7 in	2.19 in
Red	2.20 W/FT	59 lm/FT	27 lm/W	44 ft 10 in	3.28 in
Green	3.66 W/FT	157 lm/FT	43 lm/W	26 ft 7 in	2.19 in
Blue	3.66 W/FT	25 lm/FT	7 lm/W	26 ft 7 in	2.19 in
Amber	2.20 W/FT	51 lm/FT	23 lm/W	44 ft 10 in	3.28 in
RGB	3.66 W/FT	92 lm/FT	25 lm/W	16 ft 10 in	3.28 in
RGBW	4.57 W/FT	93 lm/FT	20 lm/W	16 ft 10 in	3.28 in

Ordering

Series

CCT/Color

Ingress Protection

Connector Orientation

BL neonVIEW SL

25 = 2500
27 = 2700
30 = 3000
35 = 3500
40 = 4000
45 = 4500
50 = 5000
57 = 5700
65 = 6500
RD = Red
GN = Green
BE = Blue
AR = Amber
M1 = RGB
M2 = RGBW

67 = IP67*
68 = IP68

BC = Back
EC = End
RSC = Right Side
LSC = Left Side

* End Cap seamless option only available for IP67

PROJECT

CLIENT

TYPE

Solid State Lighting is sensitive to power fluctuations
Surge protection is highly recommended for all LED lighting products and should be on a designated circuit to protect against premature failure
Lack of surge protection may void your warranty

For more information, please download the
BL LIGHTING catalogue

BL LIGHTING. ILLUMINATE EVERYTHING

111 - 8838 Heather St. Vancouver, BC, Canada. V6P 3S8
P: 1-604-874-4405 F: 1-604-321-0445 E: info@blighting.com
Copyright © 2017 BL INNOVATIVE LIGHTING. All Rights Reserved.

blighting.com



BL neonVIEW

Diffused, Flexible, Linear LED Lighting
Side Emitting, 24VDC, Constant Voltage

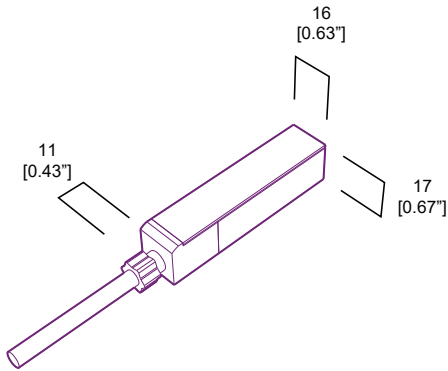
SL Series

Printed

Dimensions (IP67 Seamless)

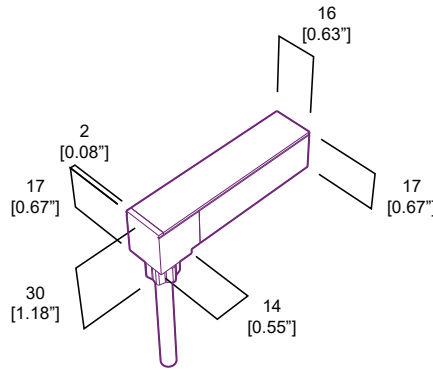
End Connector

Part# NVTK67SMEC

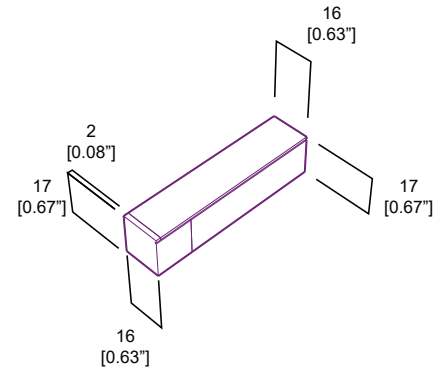


Back Connector

Part# NVTK67SMBC

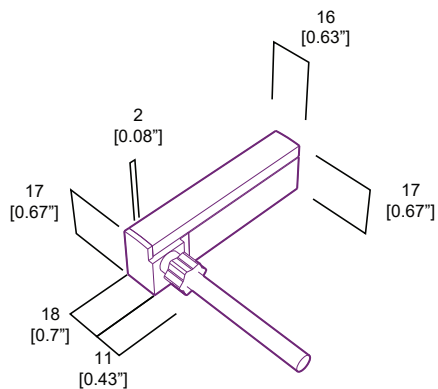


End Cap



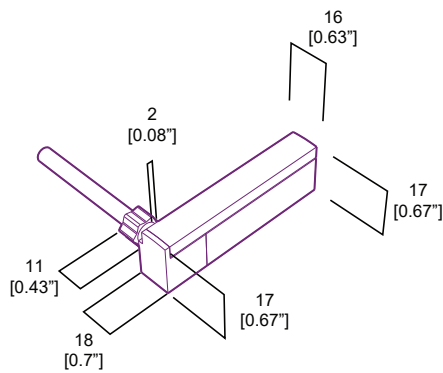
Right Side Connector

Part# NVTK67SMRSC



Left Side Connector

Part# NVTK67SMLSC



PROJECT

CLIENT

TYPE

Solid State Lighting is sensitive to power fluctuations
Surge protection is highly recommended for all LED lighting products and should be on a designated circuit to protect against premature failure
Lack of surge protection may void your warranty

For more information, please download the
BL LIGHTING catalogue

BL LIGHTING. ILLUMINATE EVERYTHING

111 - 8838 Heather St. Vancouver, BC, Canada. V6P 3S8
P: 1-604-874-4405 F: 1-604-321-0445 E: info@blighting.com
Copyright © 2017 BL INNOVATIVE LIGHTING. All Rights Reserved.

blighting.com



BL neonVIEW

Diffused, Flexible, Linear LED Lighting
Side Emitting, 24VDC, Constant Voltage

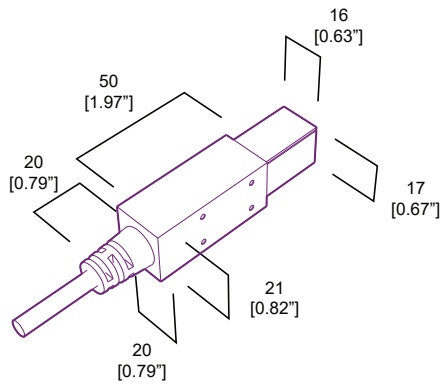
SL Series

Printed

Dimensions (IP68)

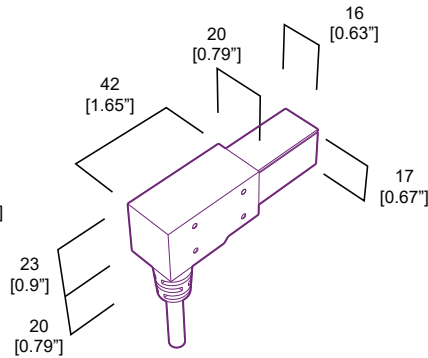
End Connector

Part# NVTK68EC

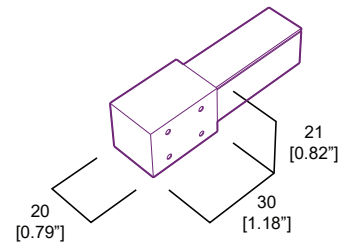


Back Connector

Part# NVTK68BC

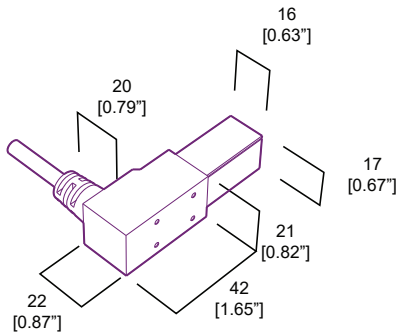


End Cap



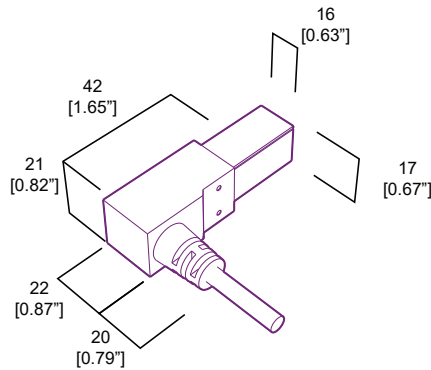
Right Side Connector

Part# NVTK68RSC



Left Side Connector

Part# NVTK68LSC



PROJECT

CLIENT

TYPE

Solid State Lighting is sensitive to power fluctuations
Surge protection is highly recommended for all LED lighting products and should be on a designated circuit to protect against premature failure
Lack of surge protection may void your warranty

For more information, please download the
BL LIGHTING catalogue

BL LIGHTING. ILLUMINATE EVERYTHING

111 - 8838 Heather St. Vancouver, BC, Canada. V6P 3S8
P: 1-604-874-4405 F: 1-604-321-0445 E: info@bllighting.com
Copyright © 2017 BL INNOVATIVE LIGHTING. All Rights Reserved.

bllighting.com

