

# BL inGROUND LNR9939

Recessed, Encapsulated Linear LED Luminaire  
Mono or Polychromatic, 24VDC

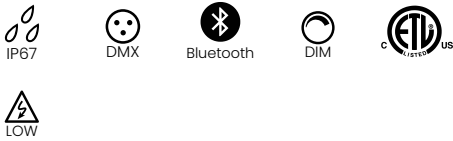
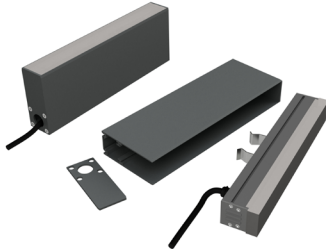


BL inGROUND LNR9939 recessed linear lights are ideal for wayfinding, delineation, accent and safety lighting in plazas, walkways and public spaces. Luminaires are solidly constructed with 1100lb weight bearing capacity, IP67 rating, corrosion resistant aluminum housing, internal cable raceway and weatherproof quick connectors for easy installation. The acrylic lens optic delivers uniform, glare-free illumination with a 120° beam angle for ground, floor and wall applications. 2400K, 3000K, 4000K, 6000K and RGBW options are available to add eye-catching accents to modern hardscape applications.

CLIENT	
PROJECT NAME	
LOCATION	
DATE	

**1100LB Weight Bearing** | **24VDC** | **Quick Connect up to 12FT** | **Available in 1' and 3' Sections**

## Product Detail



<b>Lighting</b>	Power	5W (1FT unit), 15W (3FT unit)
	Lamp	LED, SMD 3528, 18 Diodes/FT
	Average Life	50,000 Hours
	Beam Angle	120°
<b>Electrical</b>	Controls	0-10V, MLV, ELV, TRIAC, Phase Cut, DMX, Bluetooth
	Input Voltage	24VDC
	Max Input Current	4A
	Connections	18AWG Copper conductors
<b>Mechanical</b>	Housing Construction	Aluminium Recessed Housing, Acrylic Optic
	Weight Bearing	500kg (1100LB)
	Length	1FT and 3FT Sections Available
<b>Accessories</b>	LNR9939 PCH	Power Cable 2pin Connector (5FT, 15FT, 30FT)
	LNR9939 PCE	Power Cable Extension 2pin Connector (5FT, 15FT, 30FT)
	LNR9939 DMX 3PH	DMX Cable 3-Pin Connector (5FT, 15FT, 30FT)
	LNR9939 DMX 3PE	DMX Cable Extension 3-Pin Connector (5FT, 15FT, 30FT)
	LNR9939 DMX RT M3P	DMX Terminator 3-Pin Male Connector (120-ohm Resistor)
<b>Environmental</b>	Ingress Protection	IP67
	Certifications	ETL
	Operating Temperature	-4°F to 104°F (-20°C to 40°C)

**Maximum per series:**  
• 12FT per series

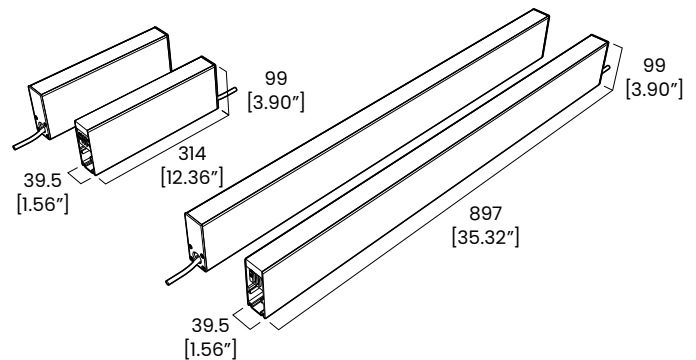
## Performance

CCT/Color		2400K	3000K	4000K	6000K	RGBW
Power	W/1FT unit	5				
Lumens	lm/1FT unit	100	103	110	78	62
CRI	CRI	80+				
Efficacy	lm/W	20	21	22	16	12

## Ordering

Product Code	Length	CCT/Color
BL inGROUND LNR9939	12 (1FT)	2400K
	36 (3FT)	3000K
		4000K
		6000K
		RGBW

## Dimensions



### BL LIGHTING ILLUMINATE EVERYTHING

111 - 8838 Heather St. Vancouver, BC, Canada. V6P 3S8  
P: 1-804-874-4405 E: info@bllighting.com  
Copyright © BL INNOVATIVE LIGHTING. All Rights Reserved.

Solid State Lighting is sensitive to power fluctuations. Surge protection is highly recommended for all LED lighting products and should be on a dedicated circuit to protect against premature failure. Lack of surge protection may void your warranty.

Designed & Assembled in North America.

Specifications subject to change without notice. Please refer to our website at [bllighting.com](http://bllighting.com) for current technical data.

For more information, please download the BL LIGHTING catalog

[bllighting.com](http://bllighting.com)

